

## 6 Product Notes

- This product must be installed and used as per these instructions. For indoor ceiling mount applications only.
- This fan is not suitable for use with after-market ducting kits.
- All wiring must be carried out by a licensed electrician.
- Means for disconnection must be incorporated in the fixed wiring in accordance with the Wiring Rules.
- This product should only be cleaned with a damp cloth. Cleaning agents and solvents should not be used.
- Ensure the fan is switched off from the mains supply before removing the grill and diffuser for cleaning purposes.
- This appliance is intended for household use and similar purposes. It is not suitable for use in an environment heavily laden with dust. Under these conditions, the life of the fan motor can be significantly reduced.
- The fan is to be installed in a ceiling at least 2.3m above floor level.
- This appliance is not intended for use by young persons (including children) with reduced physical, sensory or mental capabilities, or lack of experience and knowledge, unless they have been given supervision or instruction concerning the use of the appliance by a person responsible for their safety. Children should be supervised to ensure that they do not play with the appliance.
- Airflows listed in this product indicate the product performance. Refer to the BCA (Building Code of Australia), or similar, for the appropriate number of room air changes/extraction rate required for a particular installation.
- Ensure the fan is switched OFF from the mains supply before removing fascia for cleaning purposes.
- Ventilation products must have an adequate source of external air to ensure rated performance can be achieved.
- This product contains no serviceable parts and no attempt should be made to repair this product. If the product is faulty it should be discarded.
- Severe electromagnetic interference from other products may cause malfunction of this product.
- The material in this product may vary in colour from batch to batch. Colour matching from one batch to another cannot be guaranteed.
- Electrical installations periodically receive transient over-voltages. This product has been designed to minimise the effect of such voltages on connected equipment. It may not give full protection for extreme over voltage transients such as those resulting from a close lightning strike.
- Exhaust fans may adversely affect the safe operation of appliances burning gas or other fuels (including those from other rooms) due to back flow of combustion gases. These gases can potentially result in carbon monoxide poisoning. After installation of an exhaust fan such as a partition fan, the operation of flued gas appliance should be tested by a competent person to ensure that back flow of combustion gases does not occur.
- This product utilises intellectual property in the form of registered designs, trademarks, and/or patents. Such intellectual property remains the property of Legrand in all cases.
- Legrand reserves the right to modify the specifications of this product at any time.

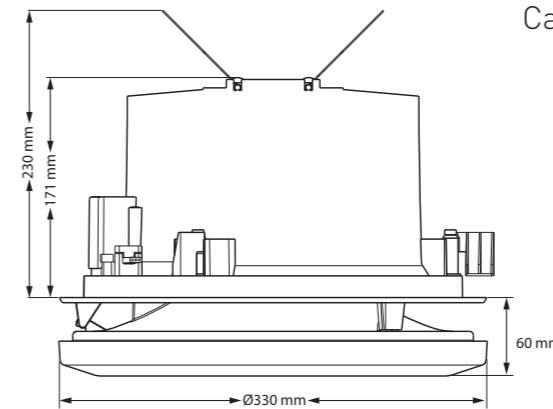


# Ceiling Exhaust Fan with Light (Non-ducted)

Cat. No: EFND620WE (Adaptable Light)

EFND620LEDWE (Integrated LED Panel)

Instruction Sheet

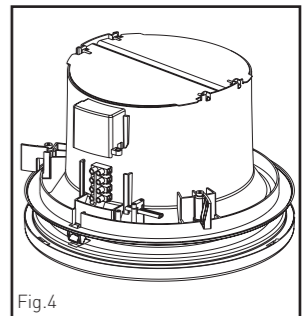
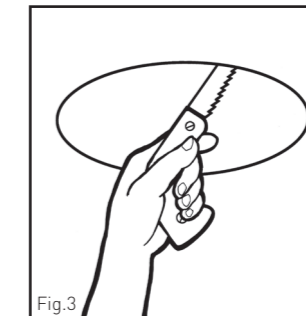
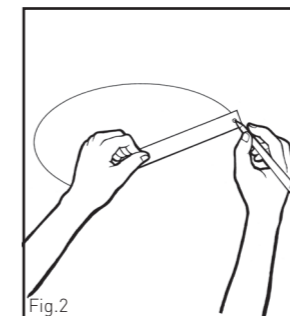
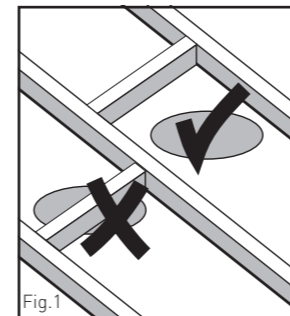


SCAN FOR MORE INFORMATION



## 1 Installation

Current New Zealand Building regulations prohibit the use of non-ducted fans for new installations. If you are replacing an existing fan and a non-ducted fan was originally installed, that was compliant with regulations at the time of installation; it can be replaced with the same type of non-ducted fan. A licensed electrician is required to connect this unit to the mains supply. A lamp (E27 LED 10W Max.) is required for the EFND620WE model (not supplied).

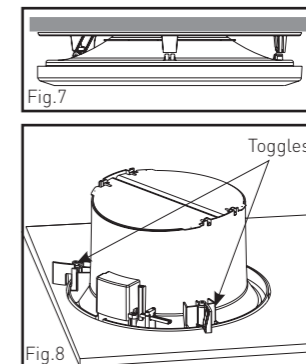
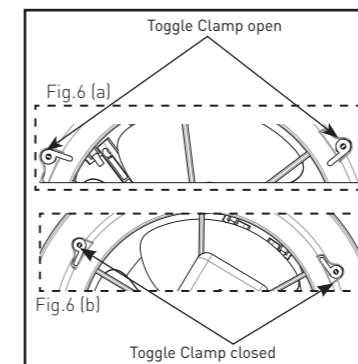
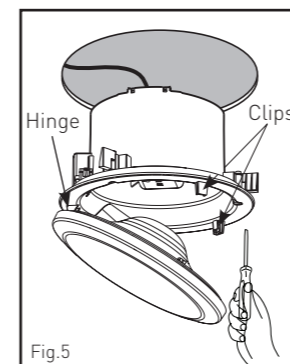


- Determine the position in ceiling where fanlight is required to be installed. (Do not install within 120cm of stove or inside a shower recess). Be certain that the installation area is not restricted by roof beams above a ceiling refer table for clearance required.

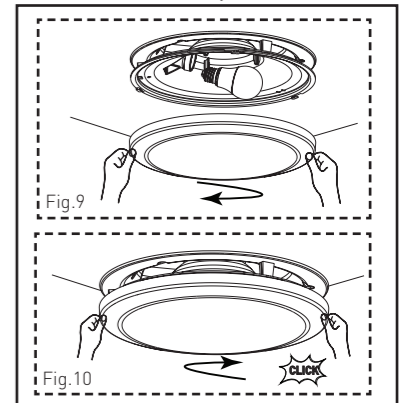
- Use the template provided to draw a circle 300mm in diameter. To do this insert a thumb tack in hole at one end and insert a pencil in the other hole and scribe a circle.

- Use an electric jig saw or small hand saw to cut out around this line. Several holes drilled at a point inside the circle provides a convenient starting point for cutting the panel out.

- Remove the terminal cover and wire according to the diagrams in section 2.



For EFND620WE only



- Unclip 2 x reflector clips and let the assembly hang by the hinge as in Fig 5.
  - Fold the toggles in (Fig.6(a)).
  - Unscrew the 3 screws on the lip of the unit until the gap between the toggles and inner lip of the unit is greater than thickness of the Gyrock, or other ceiling material.
  - Ensure there is ample clearance in the ceiling space for the draft-stopper to function, see the specification table in section 3.

- Push the unit into the ceiling.
  - Use your fingers to close the toggle clamp (Fig.6(b)).
  - Tighten the retention screws clockwise until it is firm and stable allowing the toggles to grip the ceiling material as in Fig.8.

- Locate clips gently before pressing the assembly in to avoid damage (See Fig.7).
- It is recommended that the three toggles are checked for the correct clamping by inspection from above see Fig.8.

- To install E27 LED globe, release the diffuser by holding firmly and rotating anti-clockwise. Insert lamp as shown in Fig.9
- Ensure the diffuser is fixed firmly by locating the latches and turning clockwise.

## Warranty

Legrand warrants this product for a period of 5 years from the date of purchase. These goods come with guarantees that cannot be excluded under the Australian and New Zealand Consumer Laws. You are entitled to a replacement or a refund for a major failure and for compensation for any other reasonably foreseeable loss or damage. You are also entitled to have the goods repaired if the goods fail to be acceptable quality and the failure does not amount to a major failure.

See the Warranty card enclosed with this product for further details.

## Customer Service

For all Customer Service and Technical Support please call Monday to Friday during business hours.

Legrand Australia  
1300 369 777  
www.hpm.com.au

Legrand New Zealand  
0800 476 009  
www.hpm.co.nz

ABN: 31 000 102 661

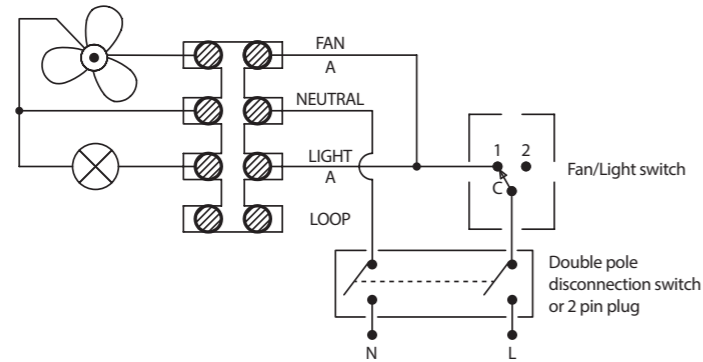


LE13263AA

02/2022

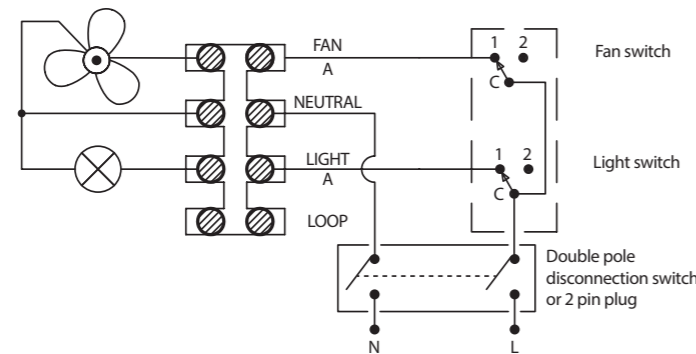
## 2 Switching Arrangements

### Option 1: Fan and light switched together

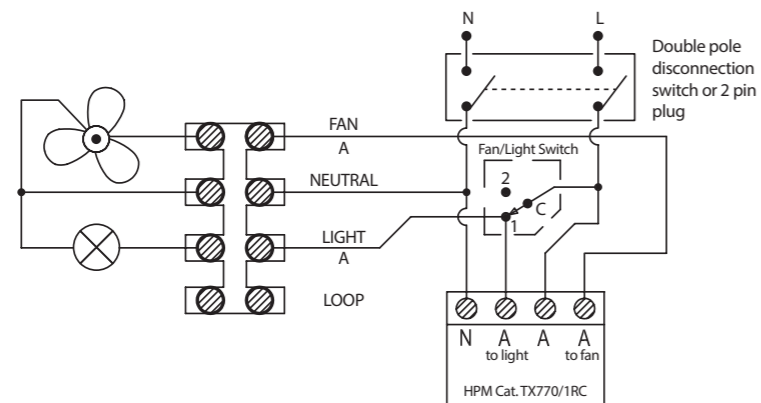


Lamp Holder Version

### Option 2: Fan and light switched separately



### Option 3: Fan and light switched together with time delay on fan after switch is turned off

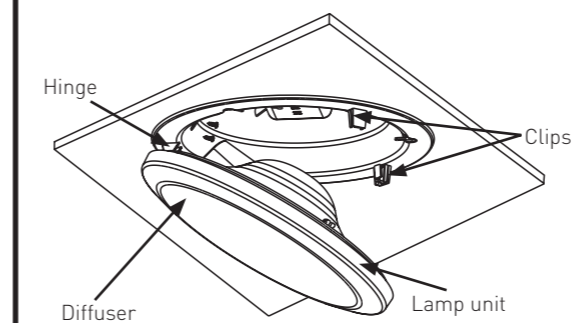


## 3 Specifications

	EFND620WE	EFND620LEDWE
Nominal Input Voltage	230 - 240 V a.c. 50 Hz	
Maximum Power Consumption	27 W (Max)	28 W (Max)
Class of Protection	Class II	
<b>LIGHT</b>		
Lampholder	E27	N/A
Consumption	Max.10 W LED Only (Lamp not supplied)	11 W (Integrated LED Panel)
Lumen output	N/A	1190 lm
CCT	N/A	4000k (Cool White)
Dimming	N/A	Non-Dimmable
<b>FAN</b>		
Consumption	17 W (Max)	
Airflow	260 m <sup>3</sup> /hr, 72 l/sec	
Sound pressure level (dBA) at 3m	46 dBA	
Ceiling Cut-out Size	300 mm	
Protrusion from Ceiling	60 mm	
Projection into Ceiling	230 mm (Max)	
Ceiling Depth (Required)	250 mm (Min)	
Impeller Diameter	210 mm	
Fascia size	330 mm	
Weight (Normal)	2.25 kgs	

## 4 Maintenance

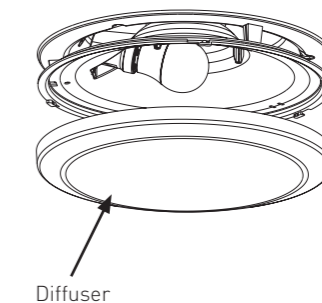
Ensure the fan is switched OFF from the mains supply before maintenance.



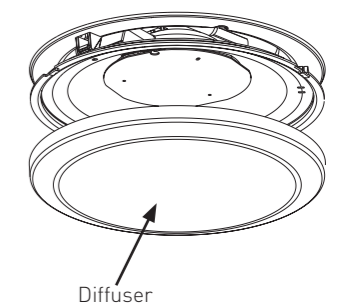
- Hold on to the "Lamp Unit" on opposite side of Hinge as shown and pull down firmly to release the Lamp Unit for cleaning. After cleaning assemble the Reflector unit by locating the 2 x Latches in the clips and push up gently until you hear a "Click".

**Note:** Do not remove Lamp Unit from Hinge.

### EFND620WE (Adaptable Light)



### EFND620LEDWE (Integrated LED Panel)



#### To remove diffuser for cleaning,

- Ensure the fan is switched OFF from the mains supply before removing diffuser for cleaning purposes.
- This product should only be cleaned with a damp cloth. Cleaning agents and solvents should not be used.
- Hold diffuser firmly and rotate anti-clockwise and then pull down.
- Locate the 3 x latches and turn clock-wise until you hear a click. Ensure all 3 clips are assembled before turning.

Failure to secure the diffuser firmly as outlined above may result in injury.

## 5 Box Contents

- 1 x Exhaust Fan with draft stopper
- Instructionsheet
- Cut-out template
- Warranty Card