

96270779 FLEX 24L25 R/SC CL2 W5M D76 L730 ANT

LED 20W LED_FLEX_1650		IP66	IK09		T _a -20 +25
-----------------------	---	------	------	---	---------------------------

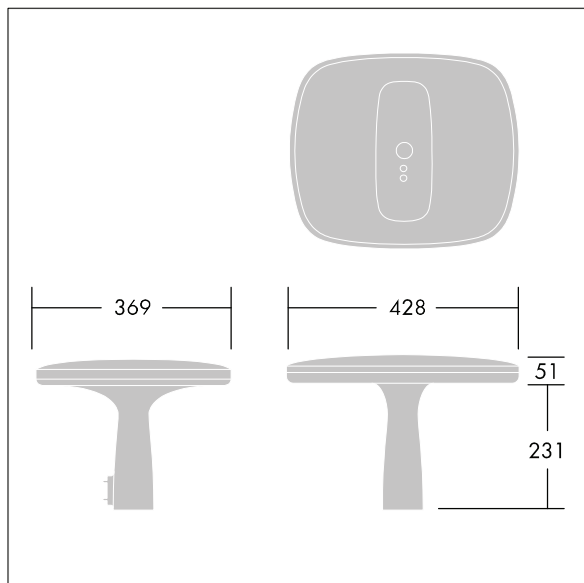
FleXity

A modern, discreet and versatile post top LED lantern with a radially symmetric distribution. Electronic, LED control gear driving 24 LEDs at 250mA. Compatible with DALI, 1-10V, RF, Power Line, Minicell, Nema, Presence Detection. Class II electrical, IP66, IK09. Canopy and base: die-cast aluminium (EN AC-46100) powder coated dark grey (close to RAL 7043). Enclosure: polycarbonate diffuser. Complete with 3000K LED. Post top mounting to Ø76mm column, maximum spigot length 75mm. Pre-wired with 5m cable.

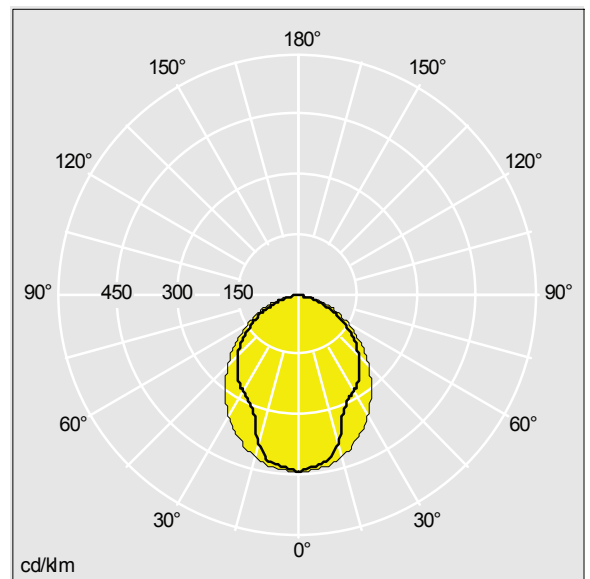
Dimensions: 370 x 430 x 290 mm
 Total power: 20 W
 Luminaire luminous flux: 1650 lm
 Luminaire efficacy: 83 lm/W
 Weight: 4.7 kg
 Scx: 0.038 m²



TLG_FLEX_F_D76SMPDB.jpg



TLG_FLEX_M_LD1.wmf



TLG_SP_0042015.idt

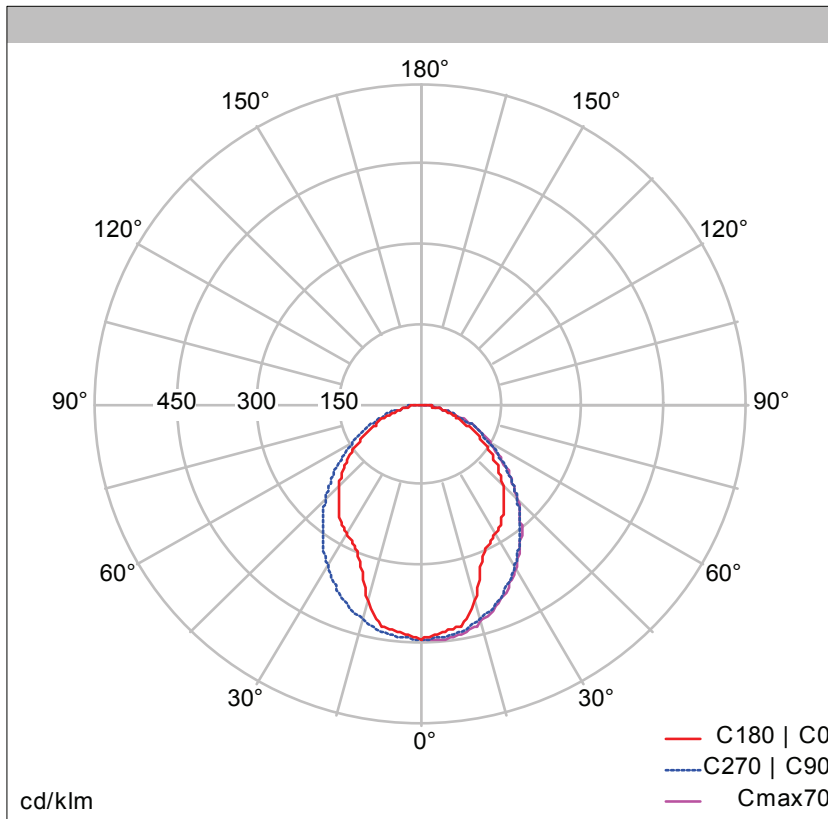
Lamp position: STD - standard
 Light Source: LED
 Total luminous flux*: 1650 lm
 Luminaire efficacy*: 83 lm/W
 Lamp efficacy: 83 lm/W
 Colour Rendering Index min.: 70

Correlated colour temperature*: 3000 Kelvin
 Rated median useful life*: 100000h L80 at 25°C
 Ballast: 1x EL2
 Luminaire input power*: 20 W
 Dimming: DIM_LED
 LOR: 1,00 ULOR: 0,00 DLOR: 1,00

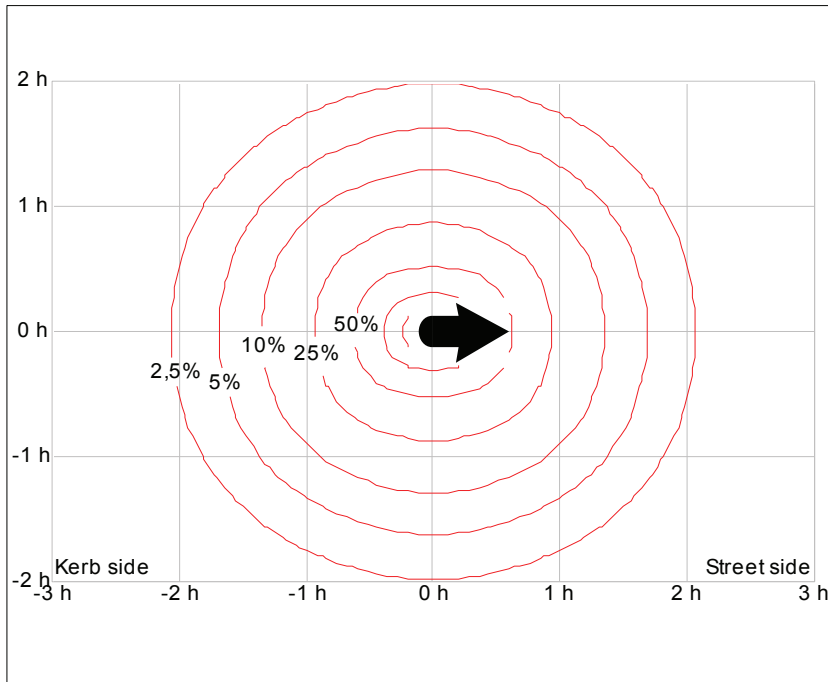
All values marked with an * are rated values. Thorn uses tried and tested components from leading suppliers, however there may be isolated instances of technology-related failures of individual LEDs during the rated product lifetime. International standards set the tolerance in initial flux and connected load at ±10%. Colour temperature is subject to a tolerance of up to +/-150 Kelvin from the nominal value. Unless stated otherwise, the values apply to an ambient temperature of 25°C.

In most products the failure of one LED point causes no functional impairment to the lighting performance of the luminaire and is therefore no reason for complaint.

Thorn Lighting is constantly developing and improving its products. The right is reserved to change specifications without prior notification or public announcement.
 © Thorn Lighting



Description	FLEXITY 24L25 R/SC CL2 W5M D60 L730 (96270771) - 250mA
Measurement	TLG_SP_0042015
Lamps	1 x LED Module Oslon x2 1650
Lamp adjustment	
IP	

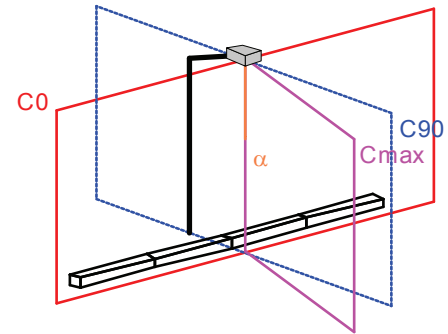


$$E \text{ (lux)} = \frac{E_{\text{max}} \times E\% \times F}{h^2 \times 1000}$$

$E_{\text{max}} = 404,7 \text{ / m / klm}$
luminous flux for the chosen lamp (lm)
Mounting height (m)

Luminaire design attitude

Tilt: $\alpha = 0.0^\circ$



Maximum intensity

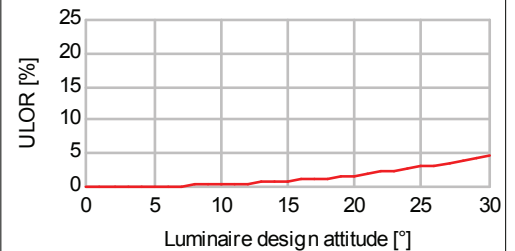
I_{max}	441 cd/klm
C_{max}	70°
γ_{max}	5°

Light Output Ratio

Luminaire design attitude	0.0°
LOR	100.00
ULOR	0.00
DLOR	100.00

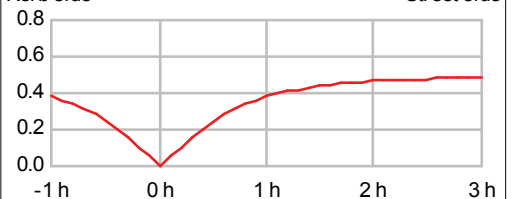
Upward light output ratio

3% for a tilt = 25°	5% for a tilt = 31°
10% for a tilt = 42°	15% for a tilt = 50°
20% for a tilt = 57°	25% for a tilt = 63°



Utilization Factors

0.5H = 0.25 1H = 0.38 2H = 0.47
Kerb side Street side



Glare restriction Obtrusive light

Luminous intensity class G6

γ	Meas. Data I_{max} in cd/klm	Specified in EN 13201-2
70°	89	350
80°	33	100
90°	0	0
$>90^\circ$	0	0