

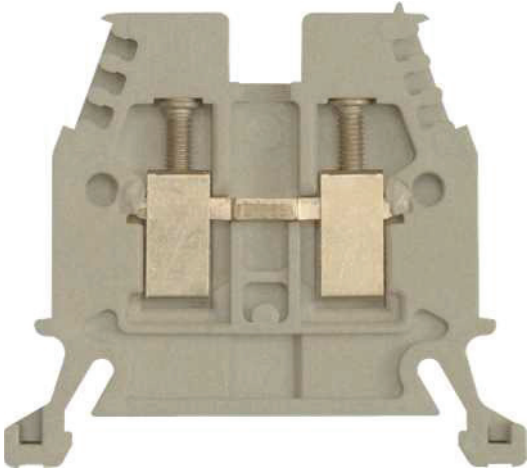
Catalogue No: **V7-W6**

SCREW TERMINAL 6mm 1 CONDUCTOR 41A GREY

Termination and Wiring Systems > Terminals and Pre-Wired Cables > Terminals - Screw > Sprecher + Schuh Screw Type Terminals V7-W > Through terminals > 6 mm²



Terminal Through 6mm² Grey



- Designed for ease of wiring, secure connections and durability
- Comprehensive range, offering a wide array of terminal types for most circuits and functions
- Terminals accommodate a full range of wire sizes from 0.5 to 70mm² wire cross section
- Cone shaped guide allows easy wire insertion
- Specialty terminals including two-level, grounding, diode, isolating, fuse, sensor and thermocouple terminals
- International approvals, UL recognized, IEC and CSA certified.

Representative Photo Only
(actual product may vary based on configuration selections)

SPECIFICATIONS

Component Type Termination Wiring	Terminal
Number of Levels	1
Package Quantity	50 qty
Colour, Body / Housing	Grey colour
Wire / Conductor Size (Min)	0.5 mm ²
Wire / Conductor Size (Max)	6 mm ²
Wire Strip Length	12 mm
Tightening Torque, Nominal	0.7 Nm
In, Rated Current	41 A
Un, Nominal Voltage	800 V
Height	47.6 mm
Width	7 mm
Depth	41 mm
Insulation Temperature (Min)	-40 °C
Insulation Temperature (Max)	90 °C
Standards Compliance	IEC 60947-1 IEC 60947-7-1 IEC 60947-7-2 CSA C22.2 No.158 UL 1059 UL 457 UL 486E
Certifications	CSA UR

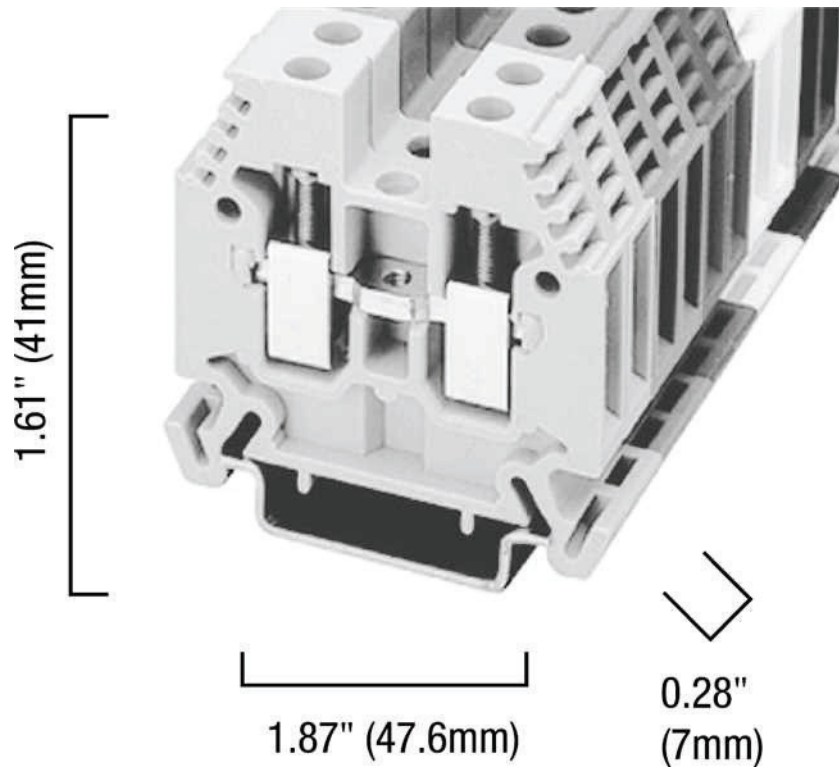
Catalogue No: **V7-W6**

SCREW TERMINAL 6mm 1 CONDUCTOR 41A GREY

Termination and Wiring Systems > Terminals and Pre-Wired Cables > Terminals - Screw > Sprecher + Schuh Screw Type Terminals V7-W > Through terminals > 6 mm²



REFERENCES	
IECEX Certificate	-
Supplier Declaration of Conformity:	-
Installation Guide:	-
User Manual:	-
Manufacturer Datasheet:	-
Manufacturer Catalogue & Product Selection:	V7W6_Manufacturer Catalogue



Dimension Diagram