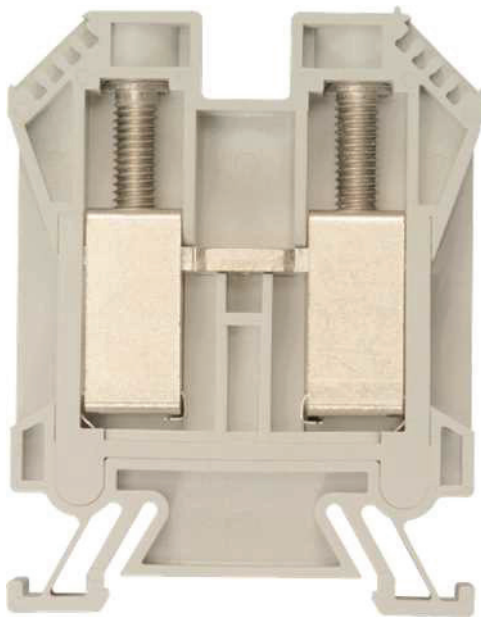


Catalogue No: **V7-W35**

## SCREW TERMINAL 35mm 1 CONDUCTOR 138A GREY

Termination and Wiring Systems > Terminals and Pre-Wired Cables > Terminals - Screw > Sprecher + Schuh Screw Type Terminals V7-W > Through terminals > 35 mm<sup>2</sup>

**NHP**



Representative Photo Only  
(actual product may vary based on configuration selections)

### Terminal Through 35mm<sup>2</sup> Grey

- Designed for ease of wiring, secure connections and durability
- Comprehensive range, offering a wide array of terminal types for most circuits and functions
- Terminals accommodate a full range of wire sizes from 0.5 to 70mm<sup>2</sup> wire cross section
- Cone shaped guide allows easy wire insertion
- Specialty terminals including two-level, grounding, diode, isolating, fuse, sensor and thermocouple terminals
- International approvals, UL recognized, IEC and CSA certified.

#### SPECIFICATIONS

Component Type Termination Wiring	Terminal
Number of Levels	1
Package Quantity	50 qty
Colour, Body / Housing	Grey colour
Wire / Conductor Size (Min)	2.5 mm <sup>2</sup>
Wire / Conductor Size (Max)	35 mm <sup>2</sup>
Wire Strip Length	17 mm
Tightening Torque, Nominal	2.5 Nm
In, Rated Current	138 A
Un, Nominal Voltage	750 V
Height	60 mm
Width	14 mm
Depth	71 mm
Insulation Temperature (Min)	-40 °C
Insulation Temperature (Max)	90 °C
Standards Compliance	IEC 60947-1 IEC 60947-7-1 IEC 60947-7-2 CSA C22.2 No.158 UL 1059 UL 457 UL 486E
Certifications	CSA UR

Catalogue No: **V7-W35**

**SCREW TERMINAL 35mm 1 CONDUCTOR 138A GREY**

Termination and Wiring Systems > Terminals and Pre-Wired Cables > Terminals - Screw > Sprecher + Schuh Screw Type Terminals V7-W > Through terminals > 35 mm<sup>2</sup>



#### REFERENCES

IECEX Certificate -

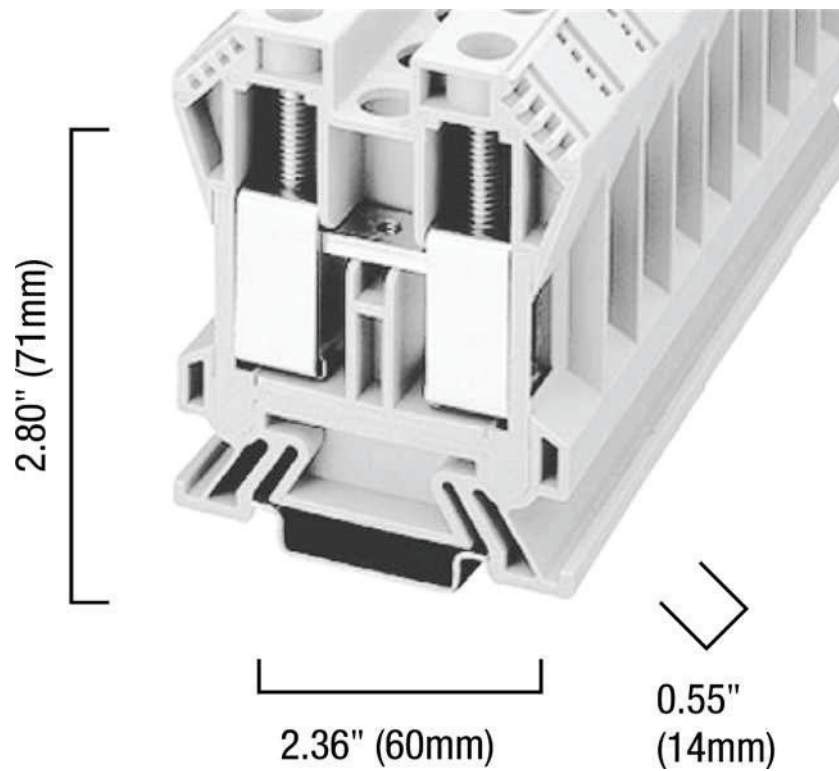
Supplier Declaration of Conformity: -

Installation Guide: -

User Manual: -

Manufacturer Datasheet: -

Manufacturer Catalogue & Product Selection: [V7W35\\_Manufacturer\\_Catalogue](#)



Dimension Diagram