

# Catalogue No: **D7M-KR21**

## KEY SELECTOR SW 22.5mm METAL 2 POSITION SR R KR L 3825

Operator Control Devices > Pushbuttons and Control Switches > Pushbuttons and Pilot Lights > Sprecher + Schuh D7 Pushbuttons and Pilot Lights > D7 Selector and Key Selector Switches > 2-Position Keyed Selector Switch Components



Representative Photo Only  
(actual product may vary based on configuration selections)

### Rotary Key switch metal 2 position Spring return R-R (L)

- D7 pilot devices offer maximum flexibility and a wide choice for all 22.5mm operator applications with all type (e-stops, selector switches, pushbuttons, pilot lights and more), colour and contact configurations.
- Aesthetically appealing and modularly designed to make assembly and interchangeability easy.
- Operators exhibit low profile and stylish appearance while maintaining the rugged performance necessary for demanding environments
- D7P is a plastic operator with a captive black plastic front bezel. Constructed of high-grade thermoplastics, the D7P is suitable for almost all environments and strong chemical resistance.
- D7M has a die-cast zinc housing and mounting ring for rugged durability. Finished with corrosion resistant chrome plating, the D7M also features a captive shiny metal bezel for a polished appearance.

#### SPECIFICATIONS

Component Type Pushbutton and Pilot Lights	Selector Switch
Operator Type	Selector Switch, Keyed, 2-Position type
Operator Positions (from Vertical)	30° -30°
Key Removal Position(s)	Left
Key Code	3825 (standard)
Operator Action, Left	Latched / Maintained
Operator Action, Right	Spring Return from Right
Colour, Operator	Black
Material, Operator	Zinc Alloy, Die-Cast, Chrome-Plated
Colour, Operator Insert	White
Material, Bezel	Zinc
Coupling Plate Included	No
Material, Latches	Glass-Filled Nylon / PA6 / PA66 (Polyamide 6)
Mounting	22.5mm Mounting Hole
Contact Block Included	No
Tightening Torque, Nominal	4.4 Nm
Mechanical service life	300000 cycles
RoHS Approved	Yes
CE Marked	Yes
Operating Temperature, max	70 °C max
Operating Temperature, min	-25 °C min
Storage Temperature, max	85 °C max
Storage Temperature, min	-40 °C min
Relative humidity, min	50 %RH
Relative humidity, max	95 %RH

# Catalogue No: **D7M-KR21**

## KEY SELECTOR SW 22.5mm METAL 2 POSITION SR R KR L 3825

Operator Control Devices > Pushbuttons and Control Switches > Pushbuttons and Pilot Lights > Sprecher + Schuh D7 Pushbuttons and Pilot Lights > D7 Selector and Key Selector Switches > 2-Position Keyed Selector Switch Components



IP Rating	IP66 IP65
Shock Acceleration (Max.)	100 g
Shock Duration (Max.)	11 ms
Vibration Acceleration (Max.)	10 g
Vibration Displacement (Peak to Peak Max.)	1.52 mm
Vibration Frequency, Operational (Max.)	2000 Hz
Vibration Duration (Max.)	180 min
Standards Compliance	NEMA ICS-5 UL 508 EN 60947-1 EN 60947-5-1 EN 60947-5-5 EN 418
Certifications	UL UR CSA CCC CE
Shipping Approvals	RINA (Registro Italiano Navale) ABS (American Bureau of Shipping) Lloyd's Register of Shipping

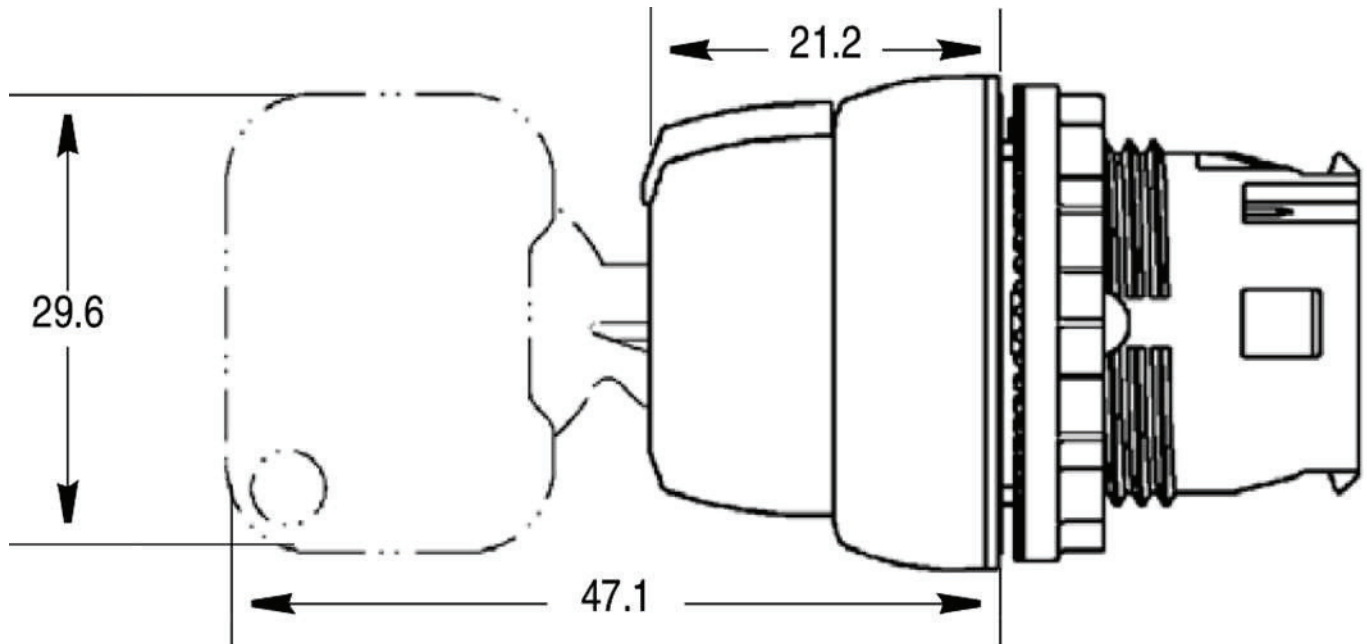
### REFERENCES

IECEX Certificate	-
Supplier Declaration of Conformity:	-
Installation Guide:	-
User Manual:	-
Manufacturer Datasheet:	<a href="#">Series D7_Manufacturer Datasheet</a>
Manufacturer Catalogue & Product Selection:	-

Catalogue No: **D7M-KR21**

**KEY SELECTOR SW 22.5mm METAL 2 POSITION SR R KR L 3825**

Operator Control Devices > Pushbuttons and Control Switches > Pushbuttons and Pilot Lights > Sprecher + Schuh D7  
Pushbuttons and Pilot Lights > D7 Selector and Key Selector Switches > 2-Position Keyed Selector Switch Components



Dimension Diagram