



LED DOMESTIC EXTERIOR LIGHTS



www.sal.net.au

LED FLOOD LIGHT SE7060, SES7060 STARGEM II

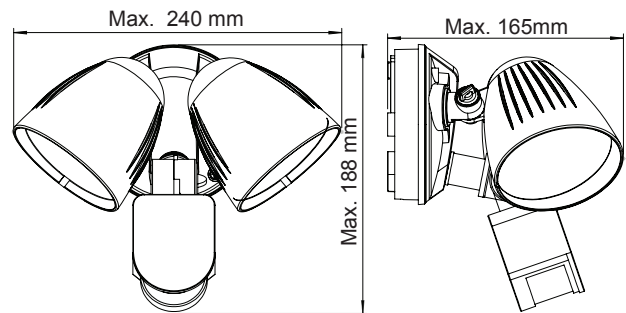
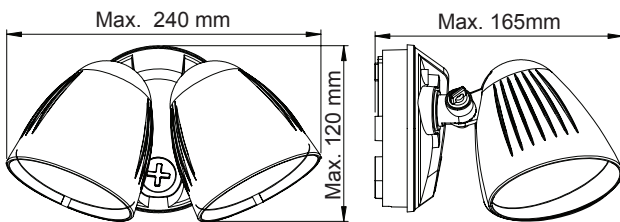


SE7060



SES7060

DIMENSIONS



CONSTRUCTION

- Independantly adjustable heads
- Polycarbonate body and base
- Opal polycarbonate diffuser
- High output 2 x 10W LED chips
- Built in LED driver
- Infrared motion sensor with override function (SES7060)

IP RATING

- IP54 weatherproof

Model No.	Input	Power	Lumen	Beam Angle	CCT	CRI	Fitting Colour	Sensor
SE7060NDL/BK	240V	2x10W	2x800lm	100°	5000K	>80	Black	No
SES7060NDL/BK	240V	2x10W	2x800lm	100°	5000K	>80	Black	Yes

SENSOR SPECIFICATIONS

Power Source	Detection Distance	Detection Angle	Working Temperatute	Working Humidity	Time Setting	Light Control
240V	Max. 11 m	180°	-10°C~+40°C	<93%RH	10sec-4min	<10-2000lux
Power	Detection Motion Speed	Installation Height				
0.45W(Static 0.1W)	0.6-1.5 m/s	1.5-3.5 m				

Specifications above are for reference only and may vary without prior notice