

OUTDOOR REMY LED FLOOD LIGHT



Standard



PIR

REMY LED flood light

- Suitable for use in decking areas, drives, pathways, sign illumination, wall washing, atriums, patios, car parks, garages, industrial units
- Polycarbonate trim with tempered glass providing high impact rating of IK07
- Pre-drilled, angled mounting bracket for fast and simple installation
- No warm up or cool down period required by LED
- Suitable for switching by external PIR, Microwave or Photocell
- Manual override function on PIR
- Pre-wired with 1m flex
- Comes with galvanised mounting bracket

Time off delay:	10s - 10min
Lux settings:	10 - 2,000 lx
Mounting height range:	2.5 - 4m Max
Detection range:	7 - 10m Max
Detection angle:	120°
Ingress Protection (IP):	65



LED flood light signage arm, for use with 10W, 20W and 30W REMY LED floods

- 600mm arm allows projected illumination for signage and other display purposes

R10FSA-24	Grey
Proj (mm):	600

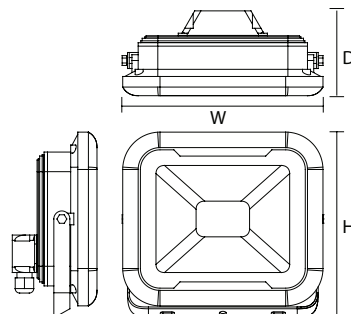


Polycarbonate Spike for 10/20/30/50W REMY LED floods

	R210MMSPIKE
Height (mm):	210



Standard With PIR	RRE1040A-04	RRE2040A-04 RRE2040PA-04	RRE3040A-04 RRE3040PA-04	RRE5040A-04
Comparable to:	20W metal halide 75W halogen	35W metal halide 150W halogen	50W metal halide 200W halogen	80W metal halide 350W halogen
Total Power (W):	9.6	19.6/19.6	28.7	46.7
Total Light Output (lm):	880	1,730/1,730	2,750	4,670
Efficacy (lm/cctW):	92	90	96	100
Lifetime (hrs):	30,000	30,000	30,000	30,000
Beam Angle (deg):	100	100	100	100
Lux at 1m (lux):	370	780/780	1,200	1,900
CCT (K):	4000	4000	4000	4000
CRI:	80	80	80	80
IP:	65	65	65	65
Impact Rating (IK):	07	07	07	07
Power Factor (PF):	0.95	0.95/0.5	0.95	0.95
Width (mm):	148	148/148	173	225
Height (mm):	150	150/200	170	220
Depth (mm):	73	73/90	85	85
Box Qty:	1	1	1	1
Weight (Kg):	0.49	0.63/0.7	0.83	1.1



	RRE1040	RRE2040	RRE3040	RRE5040
W	148mm	148mm	173mm	225mm
H	150mm	150mm	170mm	220mm
D	73mm	73mm	85mm	85mm