

ROBUS®

INDUSTRIAL

HARBOUR EXPRESS

8-16W, 16-32W, 26-50W, IP66



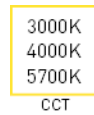
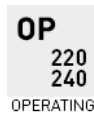
PRODUCT INFORMATION DOCUMENT

CONSTRUCTION

- Grey coloured polycarbonate body
- Opal polycarbonate diffuser
- Stainless steel clips
- Aluminium gear tray

FEATURES

- Unique design allowing switching between four power settings and CCT selectable between 3000K, 4000K or 5700K colour temperature to suit requirement of any project
- Very high efficacy of up to 176lm/W
- Two-piece construction making wiring and installation much easier and faster
- Complete with stainless steel clips and screws
- Can easily be converted to emergency using R3EM2PA-04 dual test emergency pack sold as an accessory
- Plug and play microwave sensor available as an accessory (RHEMW-04)



Product Code:	RHEX06-24	RHEX06DD-24	RHEX12-24	RHEX12DD-24	RHEX12E-24	RHEX15-24
Standard DALI Emergency						
Comparable to:	2-4 18W T8	2-4 18W T8	2x4 36W T8	2x4 36W T8	2x4 36W T8	2x4 58W T8
Total Power (W):	8.2/10.6/13.3/15.8	7.6/9.9/12.7/15.2	16.7/21.8/25.8/31.1	14.5/19.5/25.4/31.4	17.9/23.1/27.1/32.4	26.3/33.9/42.2/49.8
Power Factor:	0.9	0.9	0.9	0.9	0.9	0.9
Total Light Output (lm):	1420/1840/2300/2700	1120/1380/1990/2560	2820/3760/4450/5350	2350/3230/4270/5290	2780/3710/4410/5280	4560/5940/7350/8610
Total Emergency Light Output (lm):	NA	NA	NA	NA	350	NA
Efficacy (lm/cctW):	176/174/173/170	151/154/161/164	170/172/173/173	162/166/168/168	156/161/163/163	173/175/174/173
Lux at 1m (lux):	430/550/690/810	340/420/600/780	830/1110/1310/1580	690/950/1250/1550	810/1090/1290/1550	1320/1720/2120/2490
Emergency Lux at 1m (lux):	NA	NA	NA	NA	110	NA
CCT (K):	3000/4000/5700	3000/4000/5700	3000/4000/5700	3000/4000/5700	3000/4000/5700	3000/4000/5700
CRI:	83	83	83	83	83	83
SDCM:	6 (3 for 3000K, 5700K)	6 (3 for 3000K, 5700K)	6 (3 for 3000K, 5700K)	6 (3 for 3000K, 5700K)	6 (3 for 3000K, 5700K)	6 (3 for 3000K, 5700K)
UGR:	25.1	24.9	25.8	25.8	25.7	27.1
IP:	66	66	66	66	66	66
Operation Temperature (°C):	-20 ≤ Ta ≤ +40	-20 ≤ Ta ≤ +40	-20 ≤ Ta ≤ +40	-20 ≤ Ta ≤ +40	-20 ≤ Ta ≤ +40	-20 ≤ Ta ≤ +40
Inrush Current:	5A/9.6us	11A/300us	9A/16.4us	12A/350us	9A/16.4us	15.3A/26us
Rated Life to L70B50 (Hrs):	50000	50000	50000	50000	50000	50000
Dimensions LxWxH (mm):	670x96x78	670x96x78	1270x96x78	1270x96x78	1270x96x78	1570x96x78
Weight (kg):	0.77	0.77	1.4	1.4	1.58	1.8

Product is certified to all the relevant standards.

Please contact our technical department for market specific compliances.

PLEASE NOTE: INFORMATION IN THIS DOCUMENT MAY BE SUBJECT TO CHANGE WITHOUT PRIOR NOTICE

IRE: TEL: +353 1 709 9000
 UK: TEL: 0800 973 220
 AUS: TEL: +61 7 3890 5444
 NZ: TEL: +64 03 668 5285

WEB: ROBUS.COM
 WEB: ROBUS.COM
 WEB: ROBUS.COM.AU
 WEB: ROBUSLED.CO.NZ

LED GROUP EUROPE · UK · AUSTRALIA · NEW ZEALAND · ASIA · MIDDLE EAST · AFRICA

HARBOUR EXPRESS

8-16W, 16-32W, 26-50W, IP66

Cone Illuminance Diagram

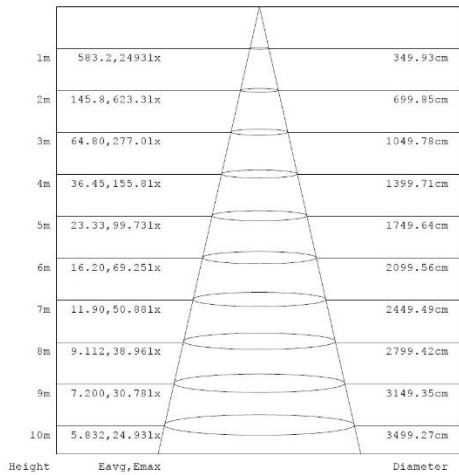
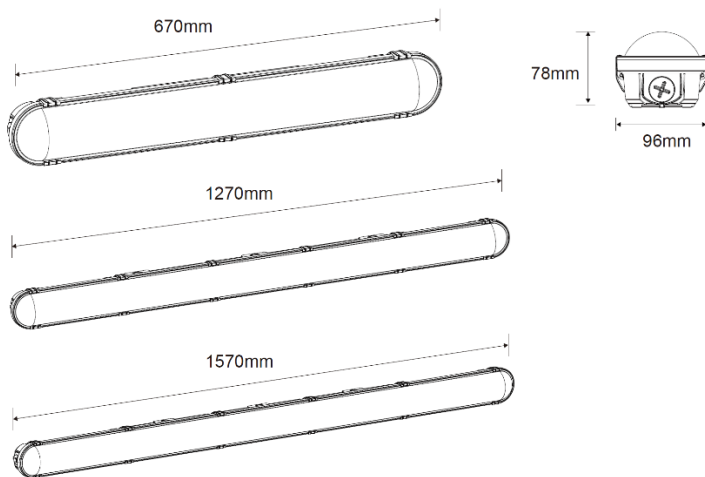


Diagram for RHEX15-25 in 50W 4000K. Other diagrams available on request

Dimension Diagram



Polar Intensity Diagram

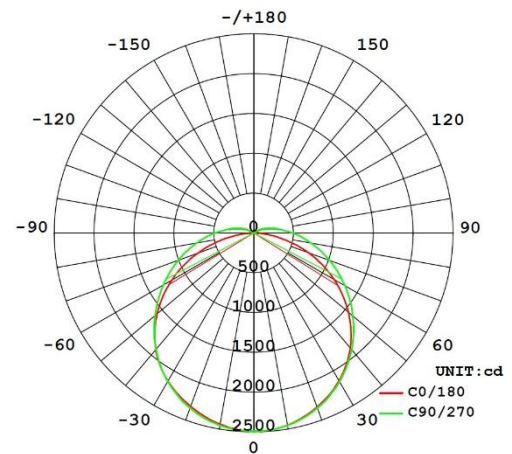


Diagram for RHEX15-25 in 50W 4000K. Other diagrams available on request

Accessories

- R3EM2PA-04 Plug In Emergency Module
- RHEMW-04 Plug In Microwave Sensor

PLEASE NOTE: INFORMATION IN THIS DOCUMENT MAY BE SUBJECT TO CHANGE WITHOUT PRIOR NOTICE

IRE: TEL: +353 1 709 9000
 UK: TEL: 0800 973 220
 AUS: TEL: +61 7 3890 5444
 NZ: TEL: +64 03 668 5285

WEB: ROB.US.COM
 WEB: ROB.US.COM
 WEB: ROB.US.COM.AU
 WEB: ROB.US.LED.CO.NZ

LED GROUP EUROPE · UK · AUSTRALIA · NEW ZEALAND · ASIA · MIDDLE EAST · AFRICA