



Reference image only

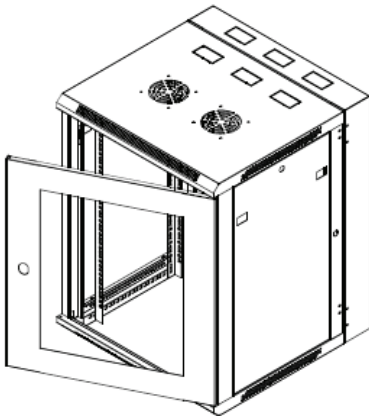


The WR Series wall mounted cabinets are built to the highest standards with flexibility and ease of installation at the forefront of design criteria. More than 30 different size and door variants makes the WR Series one of the most comprehensive in the market.

The fully welded frame ensures a stable structure while the key lockable quick release door opens to 180 degrees and are available in Acrylic, Curved Perforated or Steel.

DESCRIPTION: WRH Cabinet – 18RU x 600W x 700D
Acrylic, Curved Perforated or Steel Door
Rear Hinge section (100mm)
Removable side panels

CABINET DIMENSION: 897 H x 600 W x 700 D (incl rear hinge)
REAR HINGE SECTION: 897 H x 600 W x 100 D
COLOUR: Black
WEIGHT: 29.5kg
SHIPPING DIMENSION: 910H x 610 W x 730 D
SHIPPING WEIGHT: 31.5kg



FEATURES

- Fully welded frame ensures stable structure
- Quick release door hinges
- Reversible Doors open to 180 degrees with quick release hinge
- Acrylic, Curved Perforated or Steel front door
- Doors flush with frame, Curved Perforated protrudes 50mm
- 70% Perforation on perforated doors
- 19" depth adjustable mounting rail
- Side panels fitted with round locks are easy to fit and remove
- Top panel with multiple cable entry knockouts
- Bottom panel with multiple cable entry knockouts
- Rear hinge section left or right side
- Rear hinge section key lockable

STANDARD INCLUSIONS

- 1 x Cantilever Shelf
- Key lock on front door
- Key locks on removable side panels
- Cable entry knockouts top, bottom and rear.
- Fan vents in top
- Rear Hinge Section
- Removable rear panel
- Earthing kit for all panels and doors
- 25 cage nuts and screw

