

PHILIPS

Lighting



MASTER CityWhite CDO-TT

MASTER CityWhite CDO-TT Plus 150W/828 E40

Ceramic metal halide lamp with clear tubular outer bulb shape, used in outdoor offering pleasant white light

Product data

General Information		Lamp Luminous Efficacy EM (Nom)	
Cap base	E40 [E40]	Lamp Luminous Efficacy EM (Nom)	110 lm/W
Burning Position	UNIVERSAL [Any/Universal]	Colour Rendering Index,horiz (Nom)	87
Life to 5% failures (nom.)	18000 h	LLMF 2000 h Rated	95 %
Life to 10% failures (nom.)	20000 h	LLMF 4000 h Rated	92 %
Life to 20% failures (nom.)	22500 h	LLMF 6000 h Rated	90 %
Life to 50% failures (nom.)	27000 h	LLMF 8000 h Rated	88 %
LSF 2000 h Rated	99 %	LLMF 12000 h Rated	85 %
LSF 4000 h Rated	99 %	LLMF 16000 h Rated	82 %
LSF 6000 h Rated	99 %	LLMF 20000 h Rated	80 %
LSF 8000 h Rated	99 %	Ratio Scotopic/Photopic Lumens	1.30
LSF 12000 h Rated	99 %	Operating and Electrical	
LSF 16000 h Rated	97 %	Power (Rated) (Nom)	148.0 W
LSF 20000 h Rated	90 %	Lamp current run-up (max.)	3.0 A
Light Technical		Lamp current (EM) (nom.)	1.8 A
Colour Code	828 [CCT of 2,800 K]	Ignition peak voltage (max.)	5000 V
Lamp Luminous Flux (Nom)	16500 lm	Ignition supply voltage (min.)	198 V
Colour Designation	Warm white (WW)	Re-ignition time (min.) (max.)	900 s
Chromaticity coordinate X (nom.)	445	Ignition time (max.)	30 s
Chromaticity coordinate Y (nom.)	395	Voltage (Max)	106 V
Colour Temperature, horizontal (Nom)	2800 K	Voltage (Min)	90 V

MASTER CityWhite CDO-TT

Voltage (Nom)	98 V
Controls and Dimming	
Dimmable	yes
Run-up time 90% (max.)	3 min
Mechanical and Housing	
Bulb finish	Clear
Approval and Application	
Energy efficiency label (EEL)	A+
Mercury (Hg) content (nom.)	15.8 mg
Energy Consumption kWh/1000 h	163 kWh
UV	
PET (NIOSH) (min.)	8 h/500lx

Luminaire Design Requirements

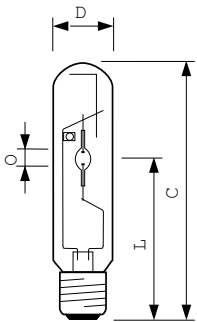
Bulb temperature (max.)	450 °C
Cap base temperature (max.)	250 °C

Product Data

Full product code	871829112034600
Order product name	MASTER CityWhite CDO-TT Plus 150W/828 E40
EAN/UPC – product	8718291120346
Order code	928082219231
Numerator – quantity per pack	1
Numerator – packs per outer box	12
Material no. (12NC)	928082219231
Net weight (piece)	0.135 kg
ILCOS Code	MT/UB-150/828-H-E40-48/211

Warnings and Safety

Dimensional drawing

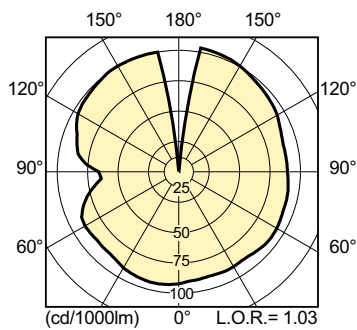


CDO-TT Plus 150W/828 E40

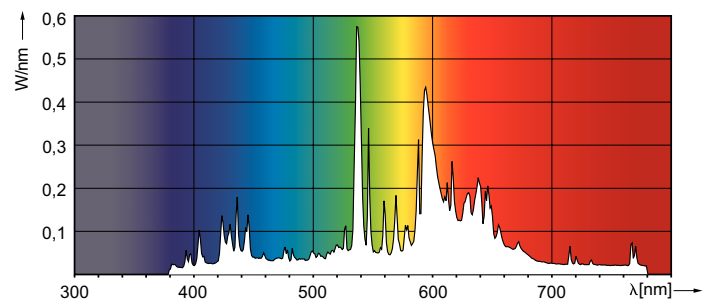
Product

MASTER CityWhite CDO-TT Plus 150W/828 E40

Photometric data

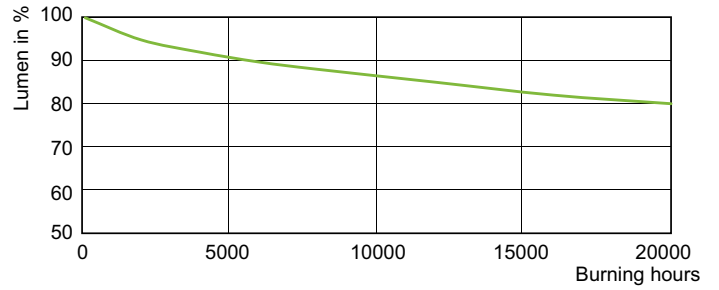
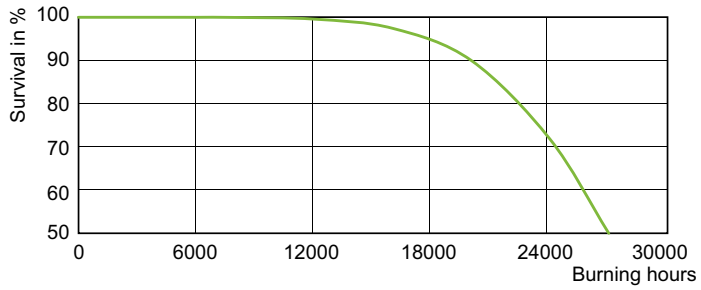


LDLD_CDO-TT_0003-Light distribution diagram



MASTER CityWhite CDO-TT

Lifetime



LDLE_CDO-TT_0002-Life expectancy diagram

LDLM_CDO-TT_0002-Lumen maintenance diagram

