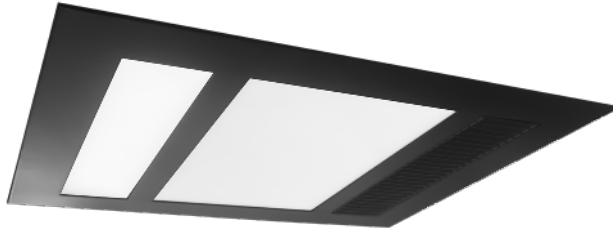


## 60W 3-IN-1 BATHROOM HEATER

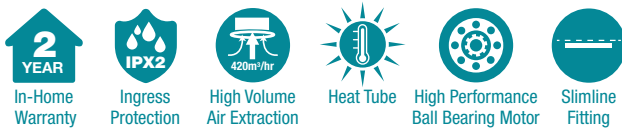


### Model Numbers

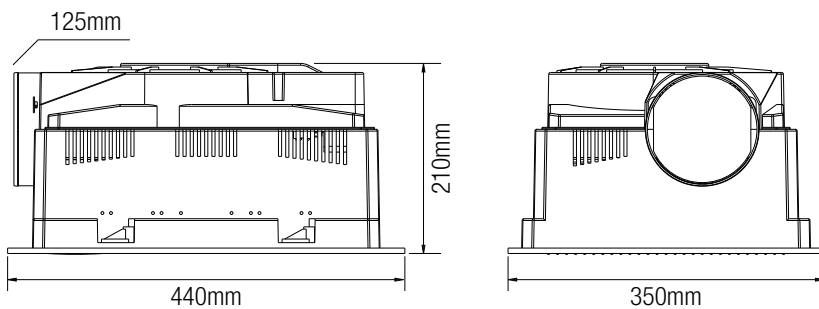
MBHPM1000M  
MBHPM1000W

### Features

- 2 year in-home warranty
- Sleek and low profile designed to suit any small to medium bathroom application
- 3-in-1 bathroom heater features tricolour LED panel with heat tube
- Polypropylene (PP) housing, aluminium fascia with frosted white Schott glass
- Built in thermal overload protection
- Back draft stopper included
- Cut-out template included
- Compatible with Martec bathroom remote MBHREM (not included)



### DIMENSIONS



Aust/NZ Approval No.

## SHIPPING

Model Numbers	Carton Size			Carton Quantity	Carton Gross Weight (Kg)
	H (mm)	W (mm)	L (mm)		
MBHPM1000M	250	400	550	2	9kg
MBHPM1000W	250	400	550	2	9kg

## INSTALLATION

<b>Installation</b>	By licensed electrician only
<b>Warranty</b>	2 year in-home warranty

\*For further information regarding warranty terms and conditions, please refer to enclosed warranty statement.  
Warranty is void unless installed by a licensed electrician.

## SPECIFICATIONS

<b>Model Name</b>	Phoenix Mini
<b>Model Numbers</b>	MBHPM1000M Matt Black MBHPM1000W White
<b>Air Extraction m<sup>3</sup>/hr</b>	420m <sup>3</sup> /hr
<b>Exhaust Fan Wattage</b>	60W
<b>Voltage / Frequency</b>	220-240Va.c. 50-60Hz
<b>Materials / Housing</b>	Polypropylene (PP) housing
<b>Cutout Size</b>	390 x 325mm
<b>Decibel Rating</b>	≤40dB
<b>Heating Wattage / Type</b>	1x 1000W R7s heat tube 238mm
<b>Lighting Wattage / Type</b>	10W LED
<b>Colour Temperature</b>	3000K / 4000K / 5000K
<b>Lumens Output</b>	800lm
<b>Minimum Ceiling Depth</b>	220mm
<b>Ducting Size</b>	125mm
<b>Accessories Included</b>	1x 1.5m duct 2x clips for ducting 1x external grille 1x 3 gang switch wall controller

## AVAILABLE COLOURS



Model	Colour	Barcode
MBHPM1000M	Matt Black	9 312375 507024
MBHPM1000W	White	9 312375 507017