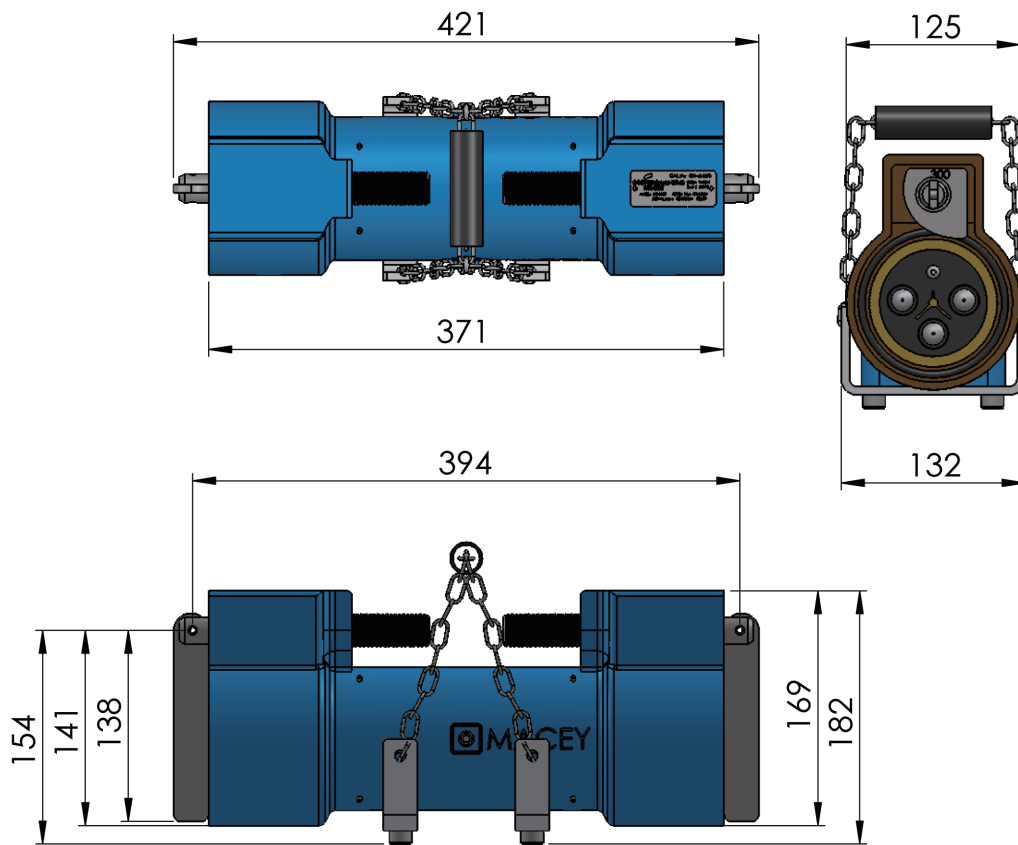
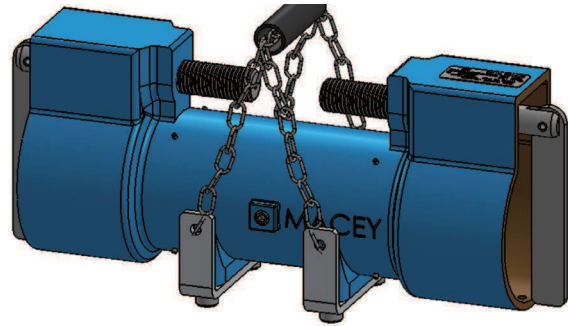


# Restrained Range

## 300A 660/1100V back to back coupler

### Ordering Codes

Part Number	Description
300-41-0660	300A 660V Back to Back Coupler
300-41-1100	300A 1100V Back to Back Coupler
300-41-0660-PS	300A 660V Back to Back Coupler c/w Dust Plugs & Skid Plate
300-41-1100-PS	300A 1100V Back to Back Coupler c/w Dust Plugs & Skid Plate
300-41-0660-KP	300A 660V Back to Back Coupler c/w Dust Plugs & Key Hole Plate
300-41-1100-KP	300A 1100V Back to Back Coupler c/w Dust Plugs & Key Hole Plate



Orange  
660V

Blue  
1100V



Colour and Orientation for Voltage

Material: Manganese Bronze /EPR Rubber  
 Weight: Approx. 16.2g  
 15.5kg without carry handle  
 Compliance: AS/NZS1299

**Spare Parts**

To order spare parts, please identify from exploded view drawing & refer to appropriate table

Item	Part Number	Description	QTY.
1	300-41-0003	Housing 1100V	1
	300-41-0003-OR	Housing 660V	1
2	300-41-0004	Interior	1
3	300-40-0002	Jacking Screw	2
4	150-41-0006	Handle Assembly	1
5	300-40-9003	Dust Plug	2
6	195-300-0040	O-Ring	2
7	990-006-0012	Side Screw	2
8	950-604-1030-CP	Copper Washer	2
9	990-010-0020HT	Socket Head Screw	4
10	145-0476	Spring Washer	4

**Optional Parts**

Item	Part Number	Description	QTY.
11	150-41-0020	Skid Plate Assembly	1
12	300-40-0003	Key Hole Plate Assembly	1

