



MR

Slim Body Battens

Slim Body Batten

Product information

M-Elec's updated slim body batten now integrates a snap on diffuser to make the fit off process that much faster and more flexible. Upgraded larger terminal blocks are utilised adding to the convenience. Rear entry and additional internal space simplifies cable routing. External CCT switch allows the user to pick the right lighting and change it depending on the conditions without opening the fitting. A 60cm and 120cm size will suit most applications. Comes standard with M-Elec's 5 year product warranty & a free 3 year on-site warranty for M-World members.



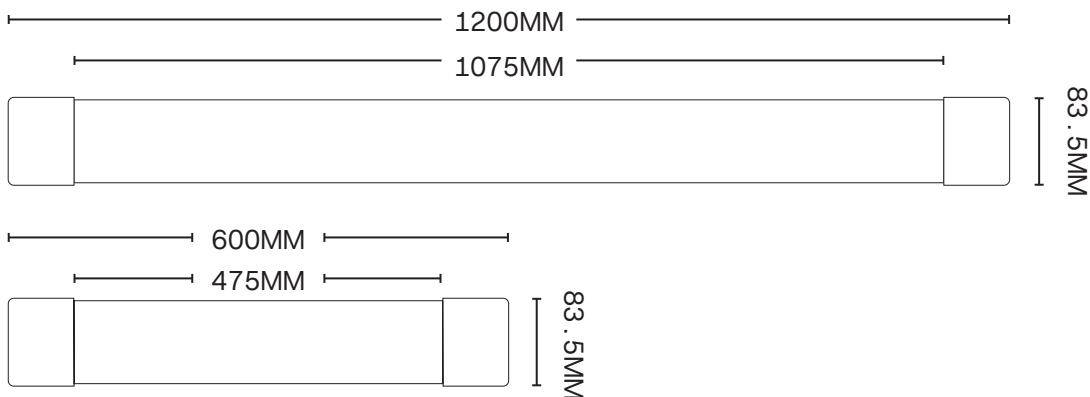
TECHNICAL INFORMATION

Data subject to change, please visit our website for upto date specifications: melec.com.au

	ML-MRSLB-60-M	ML-MRSLB-120-M
Total Power:	20W*	40W*
MAX Lumen Output:	WW 1700lm NW 1900lm W 1800lm	WW 3400lm NW 3800lm W 3600lm
Colour Temp:	WW 3000K NW 4000K W 6000K	
IP Rating:	IP20	
Efficacy:	90lm/w	
CRI:	80	
Beam Angle:	120°	
Temp Range:	-20° to 40°C	
Dimmable:	No	
Power Supply:	Integrated driver	
Average Life:	36000hrs**	
Operating current at 240V	0.083A	0.166A
Power Factor :	0.9	
Connection	PA12 terminal block	
Construction	Aluminium base + PMMA diffuser	
Dimensions:	600x 83.5x36.5mm	1200x83.5x36.5mm
Weight:	0.4kg	0.78kg
Warranty:	5 years	

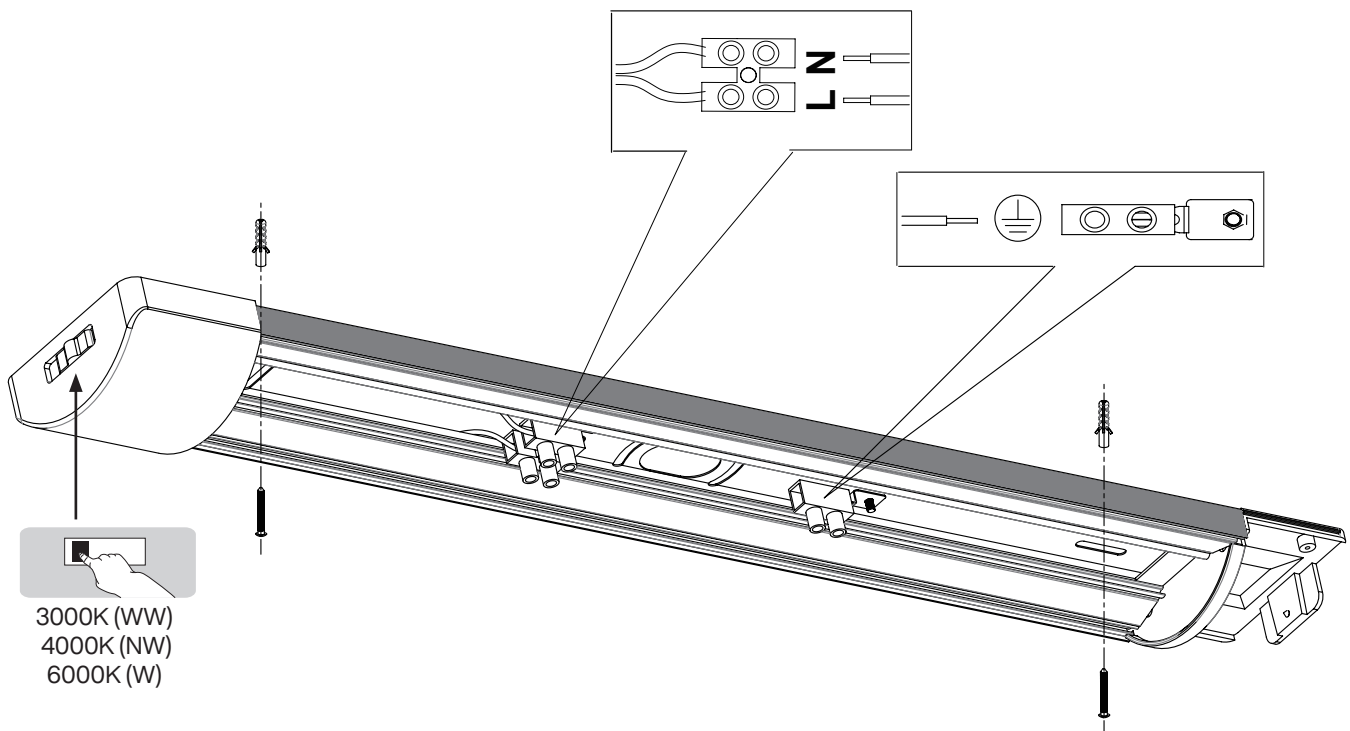
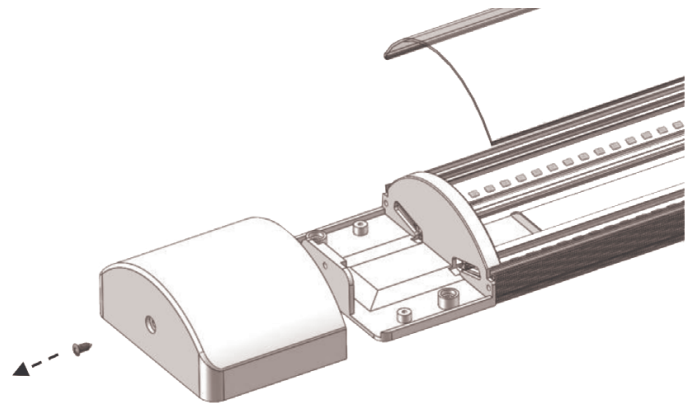
*Total power consumed including driver

** Average life is calculated on expected average lifespan



INSTALLATION GUIDE

1. Turn power off before commencing installation.
2. Remove the diffuser by un-screwing the end cap (without CCT switch) and the pulling the diffuser up.
3. Place the base against the wall or ceiling and use suitable fixings for your type of installation.
4. Wire the fitting according to the terminal markings
5. Reinstall the diffuser and the end cap
6. Select the desired colour output on the end cap containing the CCT switch.
7. test according to all applicable standatd and requierements.



PLEASE NOTE

MUST BE INSTALLED BY A LICENSED ELECTRICIAN

- Read instructions carefully before attempting to install the fitting. Retain this guide for future reference
- Disconnect power before installing or servicing
- This fitting is for outdoor use and should not be used in areas with limited ventilation or high ambient temperatures
- Do not extend low voltage cables from the output of power supply
- All components must not be mechanically stressed
- Be careful not to damage or destroy conductive paths on the circuit board
- Follow all relevant electrical and safety standards (including AS3000)
- Correct electrical polarity must be observed as the wrong polarity may destroy the product and is not covered under warranty
- Damage by corrosion will not be honoured as a material defect claim. It is the user's responsibility to provide suitable protection against corrosive agents such as moisture, condensation and other harmful elements

FREE
ONSITE WARRANTY

EXCLUSIVE TO
MEMBERS ONLY



FREE ONSITE WARRANTY FOR 3 YEARS
INCLUDES PARTS & LABOUR

In conjunction with your standard product warranty