

# Data Sheet

## E2 LED Edgelight SPU and Axiom versions



CAT NO. 684730, 684731, 684732, 684733, 684740, 684741, 684742, 684743



684731



684730

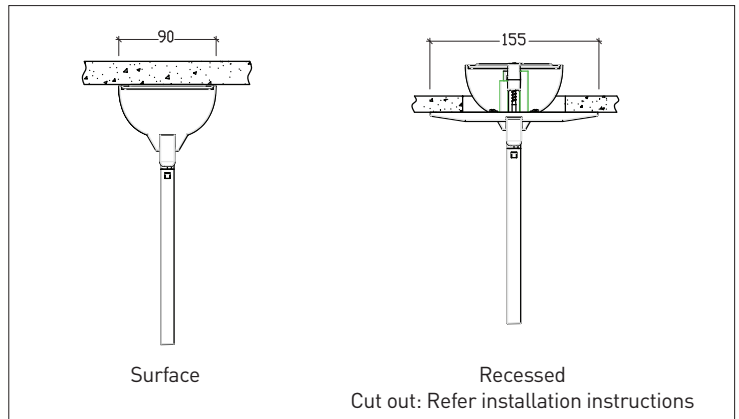
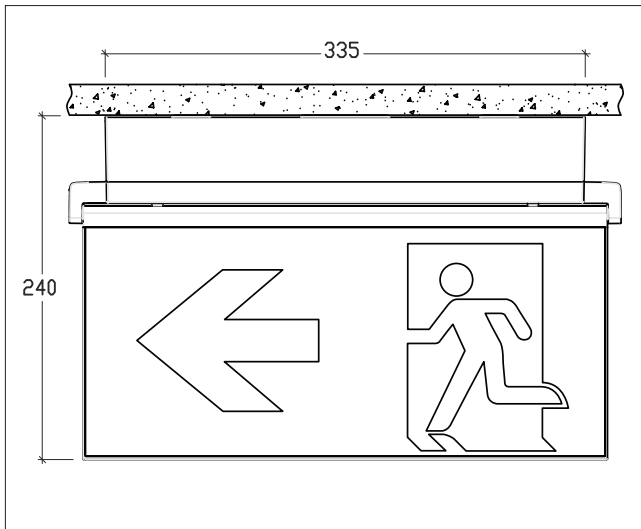
<b>Cat No</b>	<b>684730, 684731, 684732, 684733</b>	<b>684740, 684741, 684742, 684743</b>
<b>Type</b>	SPUs	Computer monitored (Axiom wireless)
<b>Operating Mode</b>	Maintained / Non-Maintained	
<b>Supply Voltage</b>	240 Vac (+/- 6%) 50 Hz	
<b>Charging Regime</b>	Dual-rate Constant Current	
<b>Charging Current</b>	70 mA (High rate) to 17 mA (Low rate)	
<b>Operating Temperature</b>	10°C to 40°C	
<b>IP Rating</b>	IP21	
<b>Body Construction</b>	Injection moulded polycarbonate	
<b>Geartray</b>	Injection moulded polycarbonate	
<b>Diffuser</b>	Injection moulded acrylic	

# E2 LED Edgelight SPU and Axiom versions

CAT NO. 684730, 684731, 684732, 684733, 684740, 684741, 684742, 684743



## Dimensions



- Australian designed and manufactured
- Premium Exit sign for a wide range of Emergency Lighting applications
- SPU or Axiom wireless computer-monitored
- All-in-one recessed and surface mounting versions for single and double-sided installation
- Long life LED light source using latest LED strip technology
- 3W maximum consumption (2.2W typical illuminated on Low rate charge)
- Suitable for Maintained or Non-Maintained operation
- Dual rate + pulsed charging for maximum life of high temperature NiCd batteries
- Running Man decal options included ('EXIT' to order)
- Uses next generation "Slide Connect" bracket (included)
- Complies with AS 2293.3

Maximum Spacing between luminaires				
Mounting height to AS 2293.1.2005	2.4	2.7	3.0	3.3
C10	7.7	8.0	8.3	8.6
C12.5	8.2	8.6	8.9	9.2

Recessed or Surface-mounted			Single product barcode
SPU	684730	E2 Recessed/Surface Maint/NM + 4 Running Man decals	9321001434085
Axiom	684740	E2 Recessed/Surface Maint/NM + 4 Running Man decals	9321001434177

Classification			
Single-Sided		C0 C12.5,	C90 C12.5
Double-Sided		C0 C10,	C90 C12.5

Surface-mounted			
SPU	684731	E2 Surface only, Maint/NM + 4 Running Man decals	9321001434092
	684732	E2 Surface only, Maint/NM + No decals	9321001434108
	684733	E2 Surface only, Maint/NM + 1 R Man decal - BLACK	9321001434115
Axiom	684741	E2 Surface only, Maint/NM + 4 Running Man decals	9321001434184
	684742	E2 Surface only, Maint/NM + No decals	9321001434191
	684743	E2 Surface only, Maint/NM + 1 R Man decal - BLACK	9321001434207

Accessories		
684735	E2 Lens Replacement Kit	9321001434122
684736	E2 Recess Plate Kit White	9321001434139
684737	E2 Mounting Block Kit White	9321001434146
684738	E2 Recess Plate Kit Black	9321001434153
684739	E2 Surface Mounting Block Kit Black	9321001434160

Replacement Part No.	
686240	Battery Pack High Temperature NiCd 4 x AA cells in-line 650mAh

HPM Legrand - AUS  
1300 369 777  
www.legrand.com.au  
ABN 31 000 102 661

HPM Legrand - NZ  
0800 476 009  
www.legrand.co.nz

Refer to your group buying office, HPM Legrand Sales Representative or HPM Legrand Sales Office for pricing.