

LTC SOLAR LIGHT - 2




Product Overview

Reliable as the sun
High output external LED lighting




Product Applications


- Street Lighting
- Park Lighting
- Roadway Lighting
- Fence Lighting
- Pathway Lighting
- Campus Lighting
- Ramp Lighting
- Pedestrian Lighting
- Remote Area Lighting
- Private Road Lighting
- Farm & Ranch Lighting




Motion detection




No mains power required




Long operating hours



Daylight sensing



Zero energy cost



IP65 weatherproof



Proudly Australian
owned and operated.



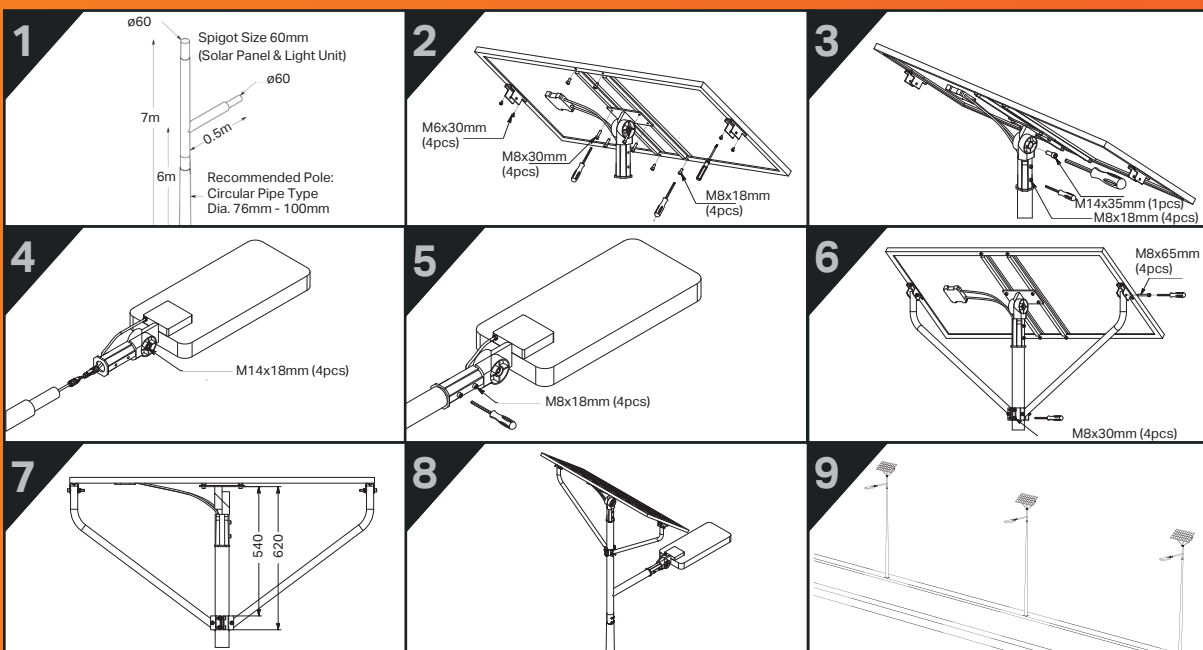
Main Features



Light Unit

Light Source:	Philips SMD3030, 5000K CCT (Optional CCT 2700K, 3000K, 4000K, 6500K)
Light Unit Size:	625 * 285 * 90mm
LED Power Rating:	30W
Number of LEDs:	96 Pcs
Efficiency:	170Lm /Watt
Operation Mode:	1-4H: 100% 5-8H: 70% 9-12H: 50%
Luminous Flux:	5100Lm
Operating Temperature:	-10°C - 50°C
LED Lifespan:	> 50,000 Hours
Housing Material:	Die-cast Aluminium
IP Rating:	IP65
Battery Capacity:	66Ah 12.6V Lithium Battery
Light Unit Tilt:	0° - 270°
Finish:	RAL 9016 Traffic White
Sensor Type:	Microwave
Sensor Detection Area:	7m - 10m (@ Light Mounting Height: 6m - 10m)
Gross Weight (light unit only)	9.4kg
Battery type:	Li Battery
Voltage:	12.6V
Battery Rating (Ah):	66Ah
Battery Rating (Wh):	831Wh

Installation Method



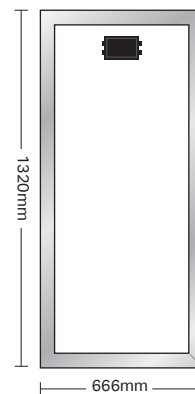
The main image, graphical diagrams (Installation method, spacing diagram) are for illustration purpose only. Please refer to the installation instruction for more specific details.

Pole, footing, outreach arm & all other related parts (supplied by others)

✓ Main Features

IDEAL PANEL ANGLE*

SYDNEY	33.9°
MELBOURNE	37.8°
PERTH	31.9°
BRISBANE	27.5°
HOBART	42.9°
ADELAIDE	34.9°
DARWIN	12.5°

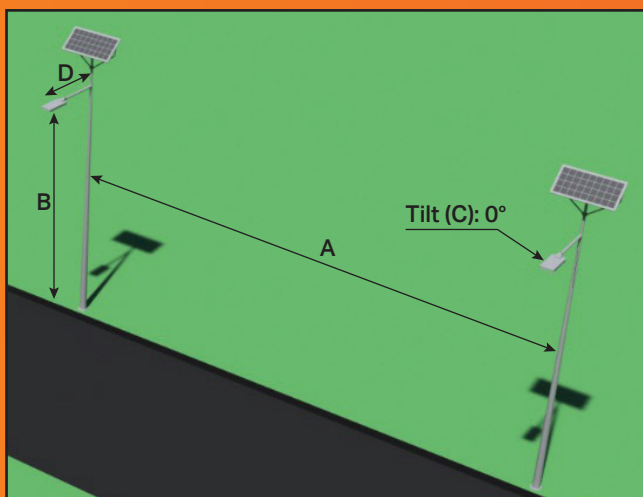


Size: 1320mm x 666mm x 35mm

Solar Panel

Maximum Power (Pmax):	150W
Open Voltage (Voc):	18V
Peak Curr. (Imp):	8.27A
Short Circuit Curr. (Isc):	9.06A
Maximum System Voltage:	1000V DC
Solar Cell Type:	Monocrystalline Silicon
Fuse Rate (A):	15A
Number of Cells:	36
Operating Temperature:	-45°C - 85°C
Frame Material:	Aluminium Alloy
Solar Panel Lifespan:	> 25 years
Gross Weight (solar panel only):	14kg

Spacing Diagram



Indicative Spacing Table

Light Level	Light Unit Mounting Height (B)	Outreach (D)	Recommended Pole Spacing (A)	Pathway Sub-Category (as per AS/NZS 1158.3.1:2020)
50% (15W)	6m	0.5m	32m	PP5
100% (30W)	6m	0.5m	32m	PP3
100% (30W)	6m	0.5m	32m	PP4
100% (30W)	6m	0.5m	40m	PP5

Pathway width assumed for above estimation: 2.5m, Outreach can be from 0.5m to 2m.

LTC Solar Light - 2 is suitable for other lighting sub-categories as well such as Car Parks (PC), Public Activity (PA), PR (Local Roads) & PE (Connecting Elements) etc. Contact us for a comprehensive lighting layout design.

*Disclaimer: For reference only. The optimum solar panel mounting angle may vary and depends on geographic location as well as various other factors.

How it Works: 30W

When the sun goes down, the light turns on:

First 4 hours



When motion is detected, brightness increases to 100%

After 30 seconds of no motion brightness reduces to 50%

Next 5-9 hours



When motion is detected, brightness increases to 70%

After 30 seconds of no motion brightness reduces to 40%

Next 9-12 hours



When motion is detected, brightness increases to 50%

After 30 seconds of no motion brightness reduces to 30%

- Battery and solar charger attached to the light unit
- Light Distribution: Type II (optional Type I, III etc.)
- Recommended Pole: Circular Pipe Type Dia. 76mm - 100mm
- Product can be customised to meet specific requirements
- Spigot Size 60 mm (Solar Panel & Light Unit)
- PWM Controller as standard (MPPT optional)
- Optional bird spike available

Ordering

ITEM CODE: 112115

 **Contact Us**

LTC Head Office:

Sales: 1300 832 372

Email: sales@lighttc.com.au

Website: www.lighttc.com.au



Address:

251 Rawson Street,
Auburn, NSW2144, Australia