

## T SERIES DISTRIBUTION BOARDS



### FEATURES

- Lightweight, Easy to Mount.
- Split Earth & Neutrals.
- Knockouts for cables.
- Space for Surge Protection or Emergency Lighting Control.
- 6kA/0.1s Rated.
- IP20.

### T SERIES DISTRIBUTION BOARDS - GREY COLOUR

Description	Part No.
<b>100A Main Switch</b>	
24 Pole	<b>T20G24K100</b>
36 Pole	<b>T20G36K100</b>
48 pole	<b>T20G48K100</b>
<b>160A Main Switch</b>	
24 Pole	<b>T20G24J160</b>
36 Pole	<b>T20G36J160</b>
48 Pole	<b>T20G48J160</b>
60 Pole	<b>T20G60J160</b>
<b>250A Main Switch</b>	
24 Pole	<b>T20G24J250</b>
36 Pole	<b>T20G36J250</b>
48 Pole	<b>T20G48J250</b>
60 Pole	<b>T20G60J250</b>



Emergency Lighting Control



Surge Protection



Protection Devices

### FLUSH COVERS TO SUIT T SERIES DISTRIBUTION BOARDS

Description	Part No.
Suits T20G24J160 & T20G24J250	<b>T24FC</b>
Suits T20G36J160 & T20G36J250	<b>T36FC</b>
Suits T20G48J160 & T20G48J250	<b>T48FC</b>
Suits T20G60J160 & T20G60J250	<b>T60FC</b>

### DEVICES TO SUIT T SERIES DISTRIBUTION BOARDS

Description	Rating	Part No.
<b>Protection Devices</b>		
Single pole circuit breakers	10A	<b>DG61C10</b>
	16A	<b>DG61C16</b>
	20A	<b>DG61C20</b>
Three pole circuit breakers	10A	<b>DG63C10</b>
	16A	<b>DG63C16</b>
	20A	<b>DG63C20</b>
Single pole combined MCB/RCD	10A, 30mA	<b>DDICE60C10/030</b>
	16A, 30mA	<b>DDICE60C16/030</b>
	20A, 30mA	<b>DDICE60C20/030</b>

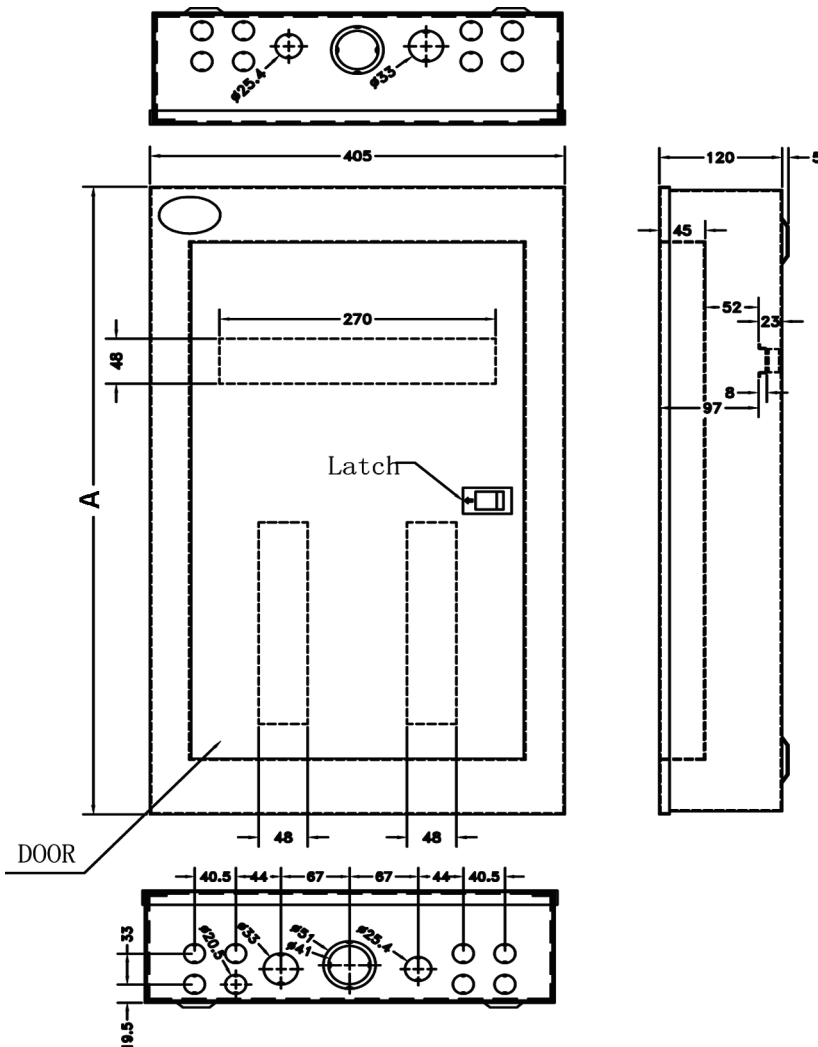
<b>Emergency Lighting Control</b>	<b>ELTS4</b>
-----------------------------------	--------------

<b>Surge Protection</b>	<b>DGMTTCI275</b>
-------------------------	-------------------

## T SERIES DISTRIBUTION BOARDS

### DIMENSIONS

#### Front view (Closed Cover)



Part	A
T20G24K100	565
T20G36K100	673
T20G48K100	774
T20G24J160	673
T20G36J160	781
T20G48J160	882
T20G60J160	990
T20G24J250	673
T20G36J250	781
T20G48J250	882
T20G60J250	990