

Product No: E-PRO41

E-PRO EMERGENCY LIGHTING TEST SWITCH, 20A 4N/O, 240VAC 0.96" OLED, DIN MOUNT, KEY-OPERATED E-PRO41

FEATURES

- Designed for periodic testing of emergency lighting circuits.
- Conforms to AS/NZS 2293.1:2018 Emergency lighting and exit signs for buildings.
- Conforms to IEC 61812-1:2022 Time relays and coupling relays for industrial and residential use.
- 60, 90, 120 mins Preset and Discrete programmable timer.
- 4 single phase 20A circuits.
- Key lock or PIN-lock operations.
- 24 VDC Dry output contacts up to 5A for external contactor control.
- Operations counter.
- LED display count down timer.



General Information

Upstream Protection	Circuit Breaker: Current Limiting Breaker 20A, ABB S201C20 (or equivalent); Fuse: 20A aM Fuse
Brand	IPD

Technical Attributes

Contact Material	Copper Tin Plated
Display Screen	0.96" OLED Display (128x64 px)
Electrical Endurance (Cycles)	1000
Key Removal / Retained Positions	3-Position Spring-Return to Centre
Maximum Electrical Power Consumption (W)	10
Mechanical Endurance (Cycles)	10,000 Operations
No. of Circuits	4
Operating Voltage AC (V)	Emergency Lighting Circuits / Output: 110 - 240V AC
Rated Control Supply Voltage AC (V)	Power Supply / Input: 110 - 240V AC
Rated Frequency (Hz)	50
Relay Type	External Non-Latching

Timer Function	1s to 99,999s (27hr) (Discrete); 60, 90 & 120mins (Pre-set)
----------------	---

Wiring Type	Solid or Stranded, Single Wire
-------------	--------------------------------

Physical Attributes

Ambient Temperature Range (°C)	0 to 40
--------------------------------	---------

Mounting Type	DIN Rail 35mm
---------------	---------------

Relative Humidity	60%
-------------------	-----

Storage Temperature Range (°C)	0 to 40
--------------------------------	---------

Dimensions

Dimensions (mm)	88W x 73H x 125D
-----------------	------------------

Wire Cross Section (mm ²)	Power Supply: 1.5mm ² to 2.5mm ² ; Emergency Lighting: 4mm ² to 10mm ²
---------------------------------------	--

Protection & Standards

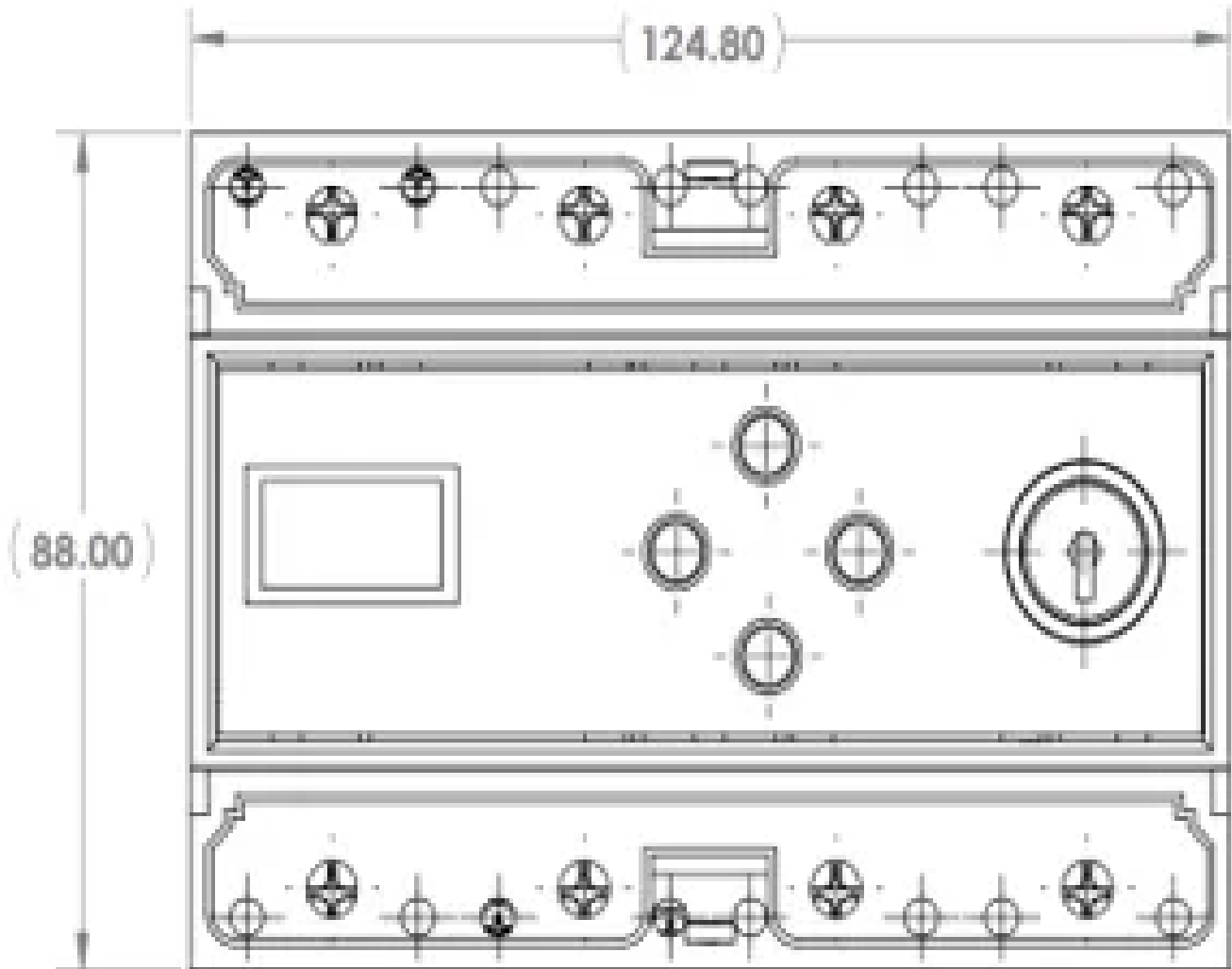
Degree of Protection	IP20
----------------------	------

Pollution Degree	2
------------------	---

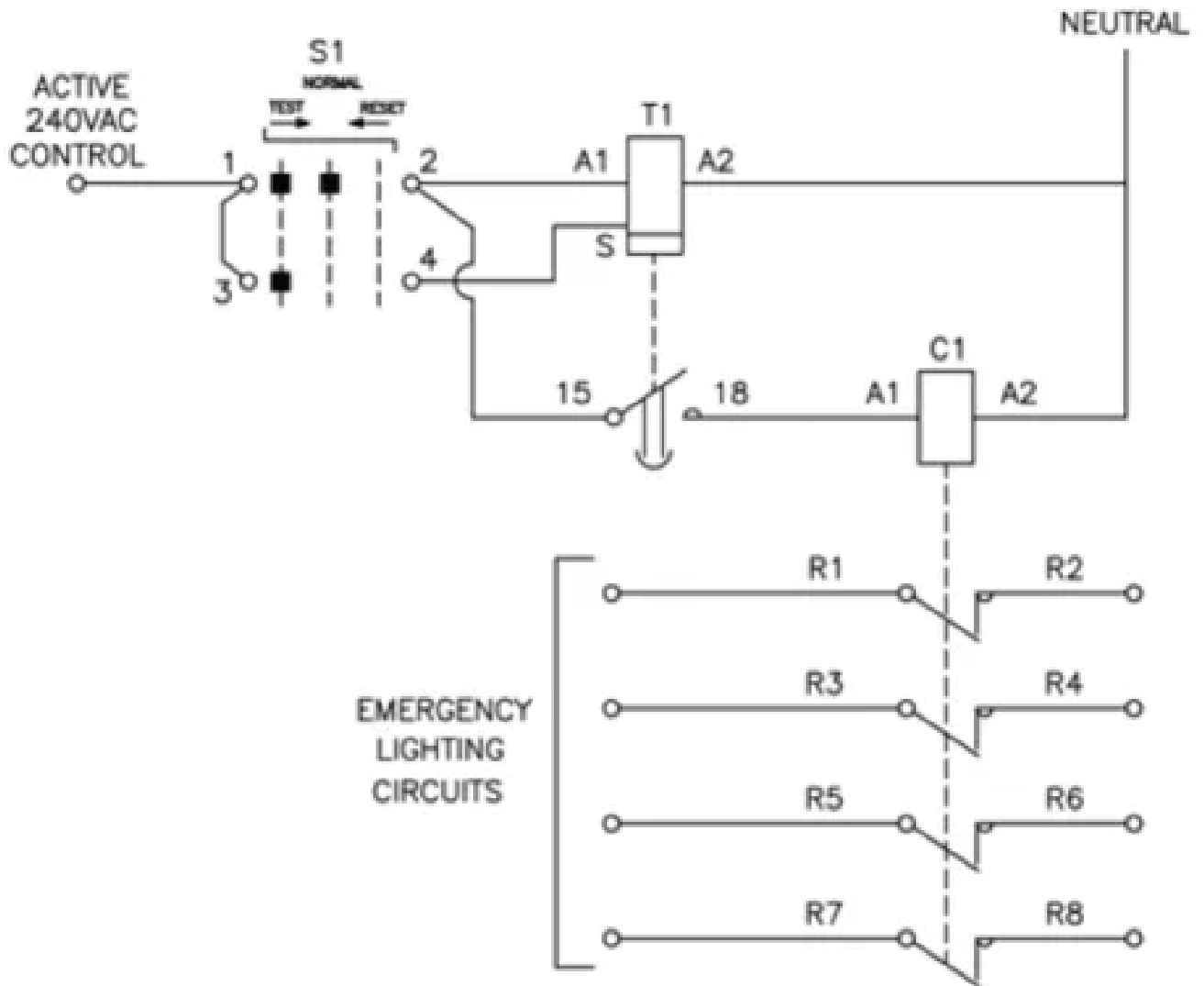
Resources

IPD Product Catalogue V17	Download from here
---------------------------	------------------------------------

DIMENSIONS



WIRING DIAGRAM



- S1 - 3 POSITION SPRING RETURN SELECTOR SWITCH
- T1 - SIGNAL START DELAY OFF TIMER
- C1 - 4 N/C CONTACTOR