

# 2 Gang large plate KNX switch

**Catalogue number:**

WBSTS2N-xx

**Range:**

silhouette

**Specifications:**

**Electrical**

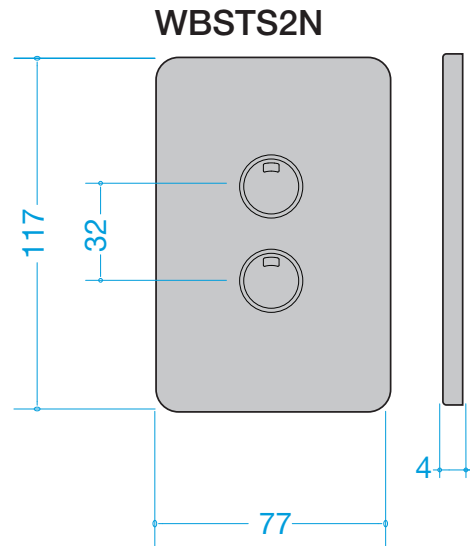
- Power - 30V DC over KNX bus
- Low signal level ("0")
- High signal level ("1")
- Maximum connection distance between input and contact = 5m

**Mechanical**

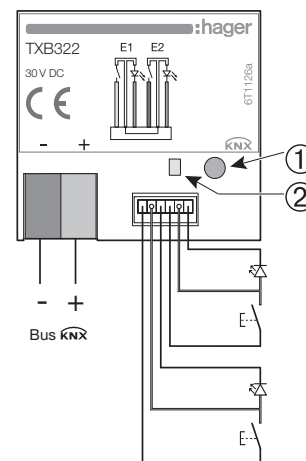
- Working temperature 0°C to 45°C
- Storage temperature -20°C to 70°C
- Wiring loom with plug sets supplied
- IP20
- External material  
UV stabilised polycarbonate
- Physical addressing  
push button (1) with separate LED (2)

**Packaging**

- Box qty 10
- Carton qty 80



With LED



**Features & benefits:**



Feature	Benefit
Programming	S-mode
Fits Australian mounting brackets	Ease of installation
Removable cover	Ease of painting
Rotoloc compatible	Mechanism will not push back through plate into wall cavity
Transparent mounting grid	Ease of installation
UV stabilised, PC material	Does not fade, high impact strength

## Device programming through ETS software

### Object Table

Function \ Object name	ON/OFF	Toggle	Time-limited toggle switch	Timer	1-button dimmer	2-button dimmer	1-button shutters/blinds	2-button shutters/blinds	Heating	Priority	Scene	Value	2-channel mode, ON/OFF (ON or OFF)	2-channel mode, ON/OFF (Toggle)	General functions
ON/OFF	X	X			X	X									
Status display		X	X		X		X								
Time-limited toggle switch			X												
Timer				X											
Dim					X	X									
Stop/Angle							X	X							
Shutters/Blinds							X	X							
Setpoint selection									X						
Priority										X					
Scene											X				
Value												X			
ON/OFF Channel A													X	X	
ON/OFF Channel B													X	X	
Status indication, channel A														X	
Status indication, channel B														X	
Jamming	X	X	X	X	X	X	X	X	X	X	X	X	X	X	X

### Colour variations available:

silhouette	
Colour	Cat. ref
White	Standard
Matt Black	-MB
Matt White	-MW