

Mounting Brackets

PAGE 1 of 4

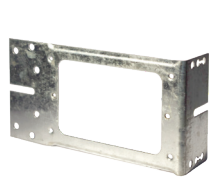
- HY1GMBH**
- HY1GMBV**
- HY1GMBVH**
- HY1GMBLVH**
- HY1GMBF**
- HY1GMBF2**
- HY1GWBMC**
- HY1GWBMC13**
- HY1GWBMC16**
- HY1GWBMCR**
- HY1GMBVH**
- HY1GMBNP**
- HY1GMBVNP**
- HY1GMBNPX**
- HY1GMBVNPX**
- HY1GMBPL**
- HY1GMBPLR**
- HY1GMBGN**
- HYPBPC**

*See current catalogue for further detail

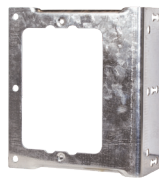


Hyena Mounting Brackets (Group 1)

- Trader brackets are available for many different construction applications
- They feature 84mm mounting centres with 6/32 UNC standard mounting threads to suit Australian accessories
- The aperture sizes are designed to suit the majority of Australian accessories in the market
- Made from strong durable electro-galvanised zinc steel
- Models available for timber construction, steel frames and brick/masonry applications



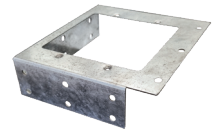
HY1GMBH



HY1GMBV



HY1GMBVH



HY1GMBLVH



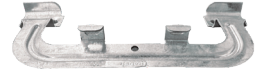
HY1GWBMC



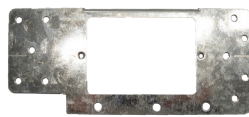
HY1GWBMC13



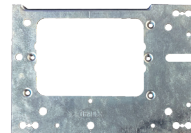
HY1GWBMC16



HY1GWBMCR



HY1GMBF



HY1GMBF2

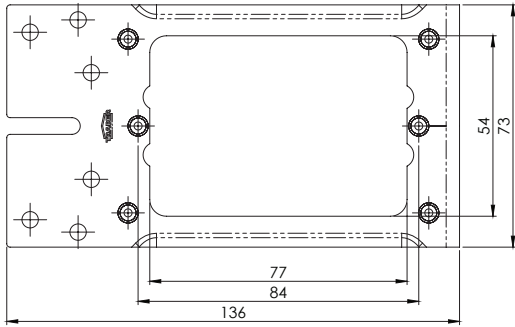
Catalogue Number	Description
HY1GMBH	Mounting Bracket 1 Gang, Horizontal
HY1GMBV	Mounting Bracket 1 Gang, Vertical
HY1GMBVH	Mounting Bracket, 1 Gang, Vertical / Horizontal
HY1GMBLVH	Mounting Bracket 1 Gang Large Aperture Vertical Horizontal
HY1GWBMC	Mounting Clip, 1 Gang for 10mm wall panel
HY1GWBMC13	Mounting Clip, 1 Gang for 13mm wall panel
HY1GWBMC16	Mounting Clip, 1 Gang for 16mm wall panel
HY1GWBMCR	Mounting Clip 1 Gang C Clip Wall Bracket Panel Recessed, Suitable for 6mm Wall Panel
HY1GMBF	Mounting Bracket 1 Gang, Flat
HY1GMBF2	Mounting Bracket 1 Gang Flat Vertical Horizontal Narrow Profile



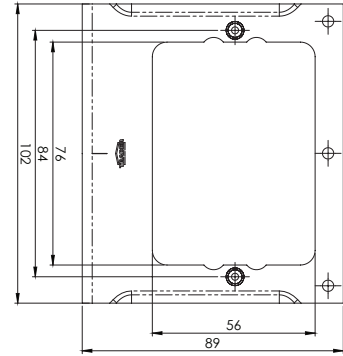
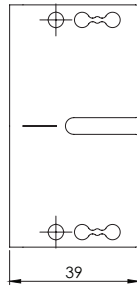
GSM Electrical (Australia) Pty Ltd
Level 2, 142-144 Fullarton Road, Rose Park SA 5067
P: 1300 301 838 F: 1300 301 778 E: service@gsme.com.au
www.gsme.com.au

Mounting Brackets

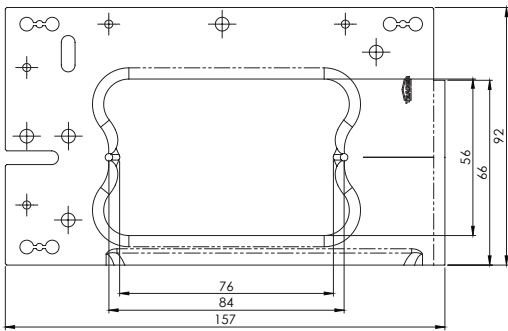
PAGE 2 of 4



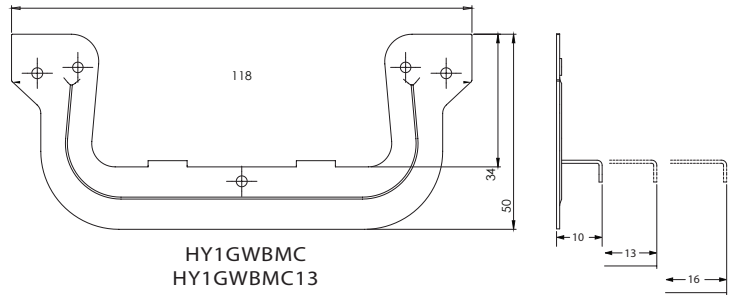
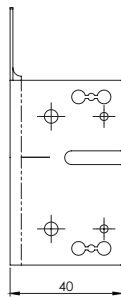
HY1GMBH



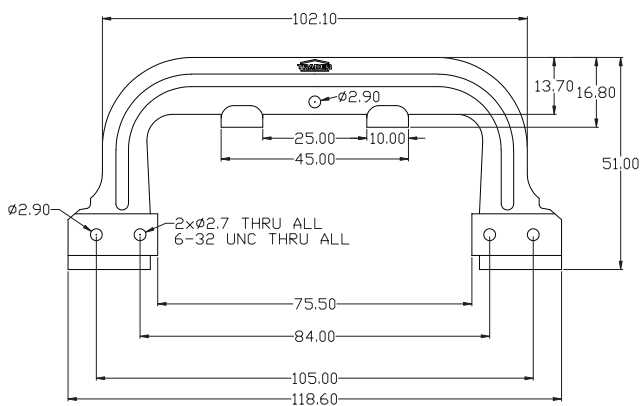
HY1GMBV



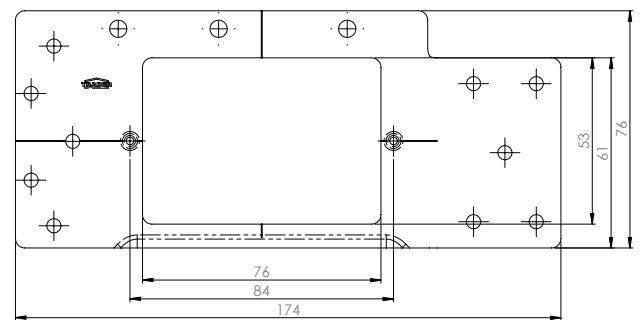
HY1GMBVH



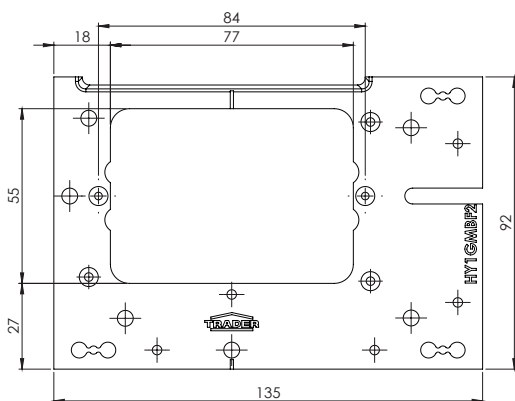
HY1GWBMC
HY1GWBMC13
HY1GWBMC16



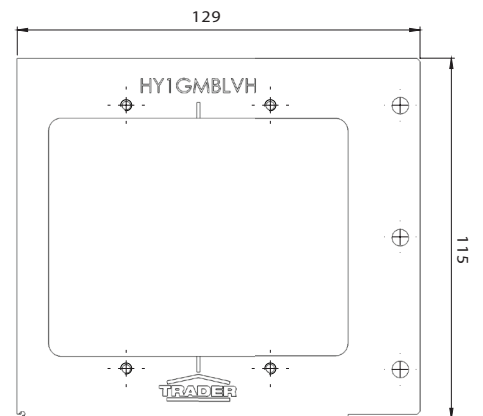
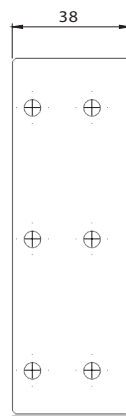
HY1GWBMC



HY1GMBF



HY1GMBF2



HY1GMBLVH

Mounting Brackets

PAGE 3 of 4

- HY1GMBH**
- HY1GMBV**
- HY1GMBVH**
- HY1GMBLVH**
- HY1GMBF**
- HY1GMBF2**
- HY1GWBMC**
- HY1GWBMC13**
- HY1GWBMC16**
- HY1GWBMCR**
- HY1GMBVH**
- HY1GMBNP**
- HY1GMBVNP**
- HY1GMBNPX**
- HY1GMBVNPX**
- HY1GMBPL**
- HY1GMBPLR**
- HY1GMBGN**
- HYPBPC**

*See current catalogue for further detail



Hyena Mounting Brackets (Group 2)

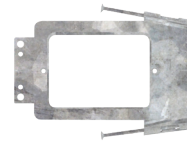
- Trader brackets are available for many different construction applications
- They feature 84mm mounting centres with 6/32 UNC standard mounting threads to suit Australian accessories
- The aperture sizes are designed to suit the majority of Australian accessories in the market
- Made from strong durable electro-galvanised zinc steel
- Models available for timber construction, steel frames and brick/masonry applications



HY1GMBNP



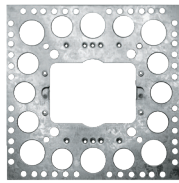
HY1GMBVNP



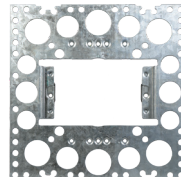
HY1GMBNPX



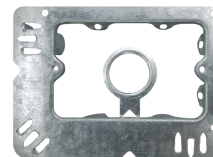
HY1GMBVNPX



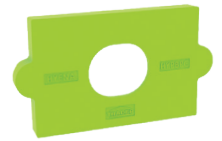
HY1GMBPL



HY1GMBPLR



HY1GMBGN



HYPBPC

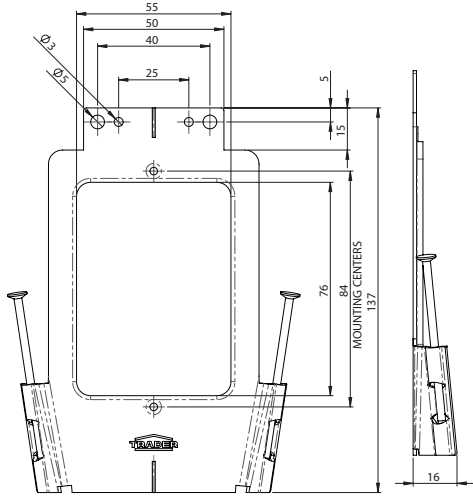
Catalogue Number	Description
HY1GMBNP	Mounting Bracket 1 Gang, Horizontal
HY1GMBVNP	Mounting Bracket 1 Gang, Vertical Nail Plate
HY1GMBNPX	Mounting Bracket, 1 Gang, Nail Plate, Extra Large, Horizontal
HY1GMBVNPX	Mounting Bracket, 1 Gang, Nail Plate, Extra Large, Vertical
HY1GMBPL	Mounting Bracket, 1 Gang, Nail Plate, Extra Large, Vertical
HY1GMBPLR	Plaster Bracket, 1 Gang, Vertical or Horizontal, Mounting Recessed for Flat Cat
HY1GMBGN	Mounting Bracket with Gang Nail Fit Off
HYPBPC	Plaster Bracket Plastic Cover



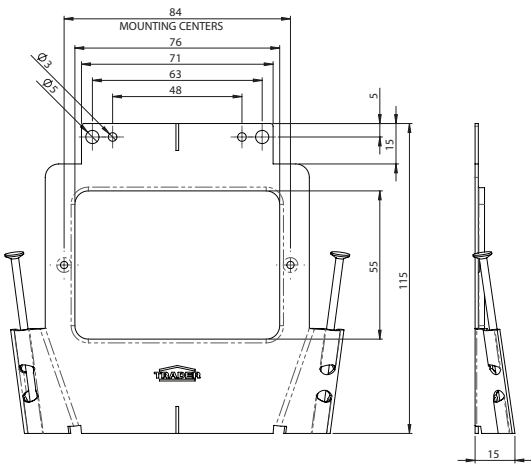
GSM Electrical (Australia) Pty Ltd
Level 2, 142-144 Fullarton Road, Rose Park SA 5067
P: 1300 301 838 F: 1300 301 778 E: service@gsme.com.au
www.gsme.com.au

Mounting Brackets

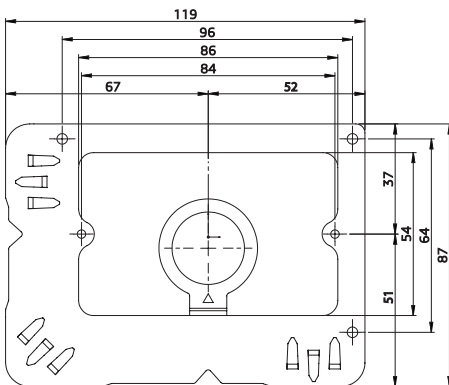
PAGE 4 of 4



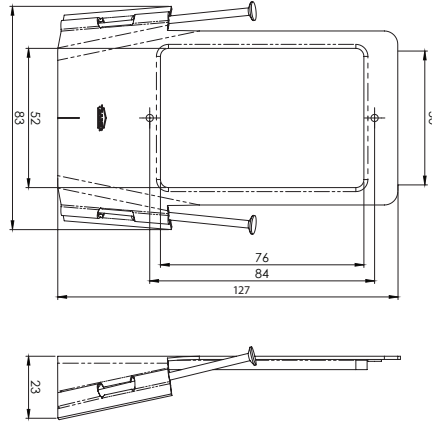
HY1GMBNPX



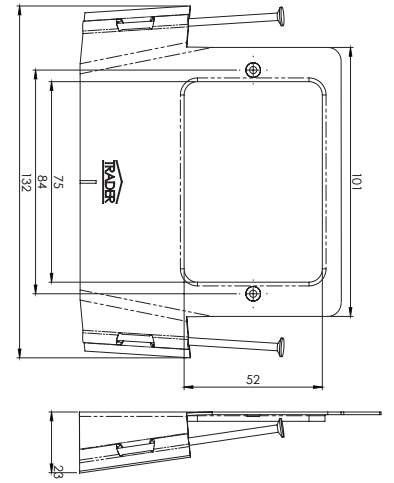
HY1GMBVNPX



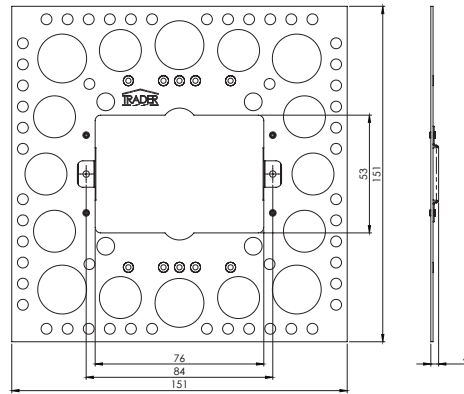
HY1GMBGN



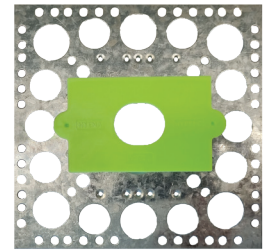
HY1GMBNP



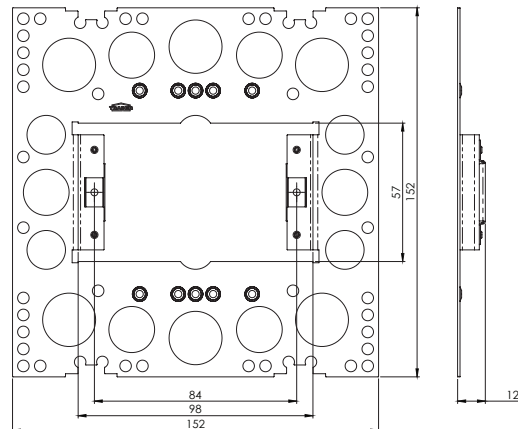
HY1GMBVNP



HY1GMBPL



HYPBPC with HY1GMBPL



HY1GMBPLR

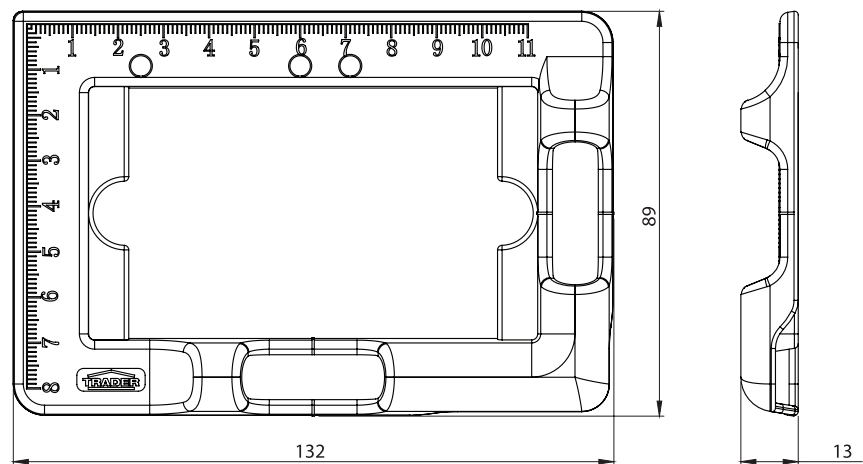


HYSPIRIT



Hyena Cutting Template Spirit Level for Switches, Sockets and Wall Plates

- Colour: Transparent
- Ideal for fast, simple, accurate installations every time.
- Horizontal and vertical spirit level.
- Convenient inbuilt ruler 110mm x 80mm marked in millimetres on two edges.
- Internal cut out dimensions (excluding cutaways for mounting bosses of plates) 80mm x 55mm.
- Compact and easy to use.
- Used with Flat Cat series wall plates or other TRADER series plates.
- Ideal for horizontal or vertical application.
- Suitable for marking out and preparation for cutting apertures for C-clips or other mounting bracket accessories.
- Ideal for power points, light switches, data plates and TV plates for a neat clean installation, no big gaping holes!



Catalogue Number	Description
HYSPIRIT	Spirit Level for Switches Sockets and Wall Plates

HYJB4TF
HYJB4TFC
HYJB4TFT
HYJS4T

*See current catalogue for further detail

Hyena Junction Boxes (4 Loose Terminals)



HYJB4TF - Hyena Junction Box with 4 Loose Insulated Connectors Fast Fit Cover - 40A rating

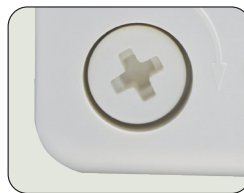
- Junction box with 4 loose terminals.
- Cover has double start plastic threads for easy quick assembly to the base.
- Clean easy to break out entries for cable access.
- Baseplate has captive nails in position ready for use.
- Strong robust polycarbonate construction.
- Supplied with single screw connectors.
- Complies with AS/NZS3000: 2018.
- Clause 1.20.4.2 for Earthing Connectors.
- Current rating 40A

HYJB4TFC - Allows secure temporary fitment during fit-off prior to fixing down screws

HYJS4T - Contains same connectors as HYJB4TF (except has standard screw on cover)

HYJB4TFT - Hyena Junction Box now with Fast Fit Cover and 4 Twister® Connectors

- Junction box with 4 Twister® Connectors.
- Cover has double start plastic threads for easy quick assembly to the base.
- Clean easy to break out entries for cable access.
- Baseplate has captive nails in position ready for use.
- Strong robust polycarbonate construction.



Large J-Box Covers have double start plastic threads for easy quick assembly to the base



Clean and easy to break out entries for cable access



Baseplate has captive nails in position ready for use



Strong robust polycarbonate construction



Catalogue Number	Description
HYJB4TF	Junction Box Fast with 4 Loose Terminals
HYJB4TFC	Junction Box with 4 Loose Terminals Fast Fit, Clip On Cover
HYJB4TFT	Junction Box now with Fast Fit Cover and 4 Twister® Connectors
HYJS4T	Junction Box Small with 4 Loose Terminals

Certification Detail as above and reports available upon request.

GSM Electrical (Australia) Pty Ltd

Level 2, 142-144 Fullarton Road, Rose Park SA 5067
 P: 1300 301 838 F: 1300 301 778 E: service@gsm.com.au
www.gsm.com.au



Data Specification Sheet
October 2024

**HYJB3T
HYJB3TE**

*See current catalogue for further detail

Page 1 of 3

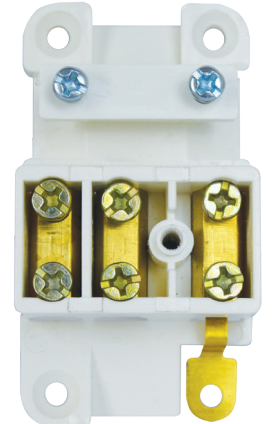
Hyena Junction Boxes (3 Fixed Terminals)



HYJB3T
41mm (w) x 73mm (h) x 26mm (d)



HYJB3T
(Back view)



HYJB3TE
(Inside view showing Earth Tab)

HYJB3T - Hyena Junction Box with 3 Fixed Terminals

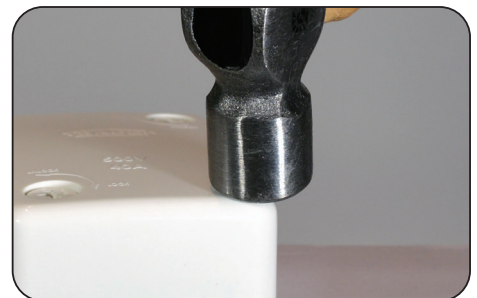
- Cover has single screw for easy quick assembly
- Clean easy to break out entries for cable access
- Strong robust polycarbonate construction
- 41mm (w) x 73mm (h) x 26mm (d)
- Diameter 6.0mm terminal bores
- Current rating 30A

HYJB3TE - Hyena Junction Box with 3 Fixed Terminals WITH EARTH

- Junction box with 3 fixed terminals - WITH EARTH MOUNTING TAB CONNECTION
- All other features as above (HYJB3T)
- Current rating 30A



Clean and easy to break out entries for cable access



Strong robust polycarbonate construction



Catalogue Number	Description
HYJB3T	Junction Box with 3 Fixed Terminals
HYJB3TE	Junction Box with 3 Fixed Terminals with Earth Tab Connection

Certification Number:
GMA-504344

GSM Electrical (Australia) Pty Ltd
Level 2, 142-144 Fullarton Road, Rose Park SA 5067
P: 1300 301 838 F: 1300 301 778 E: service@g sme.com.au
www.g sme.com.au



HYJB3T
 HYJB3TE
 HYJBIP3T
 HYJBIP3TBK

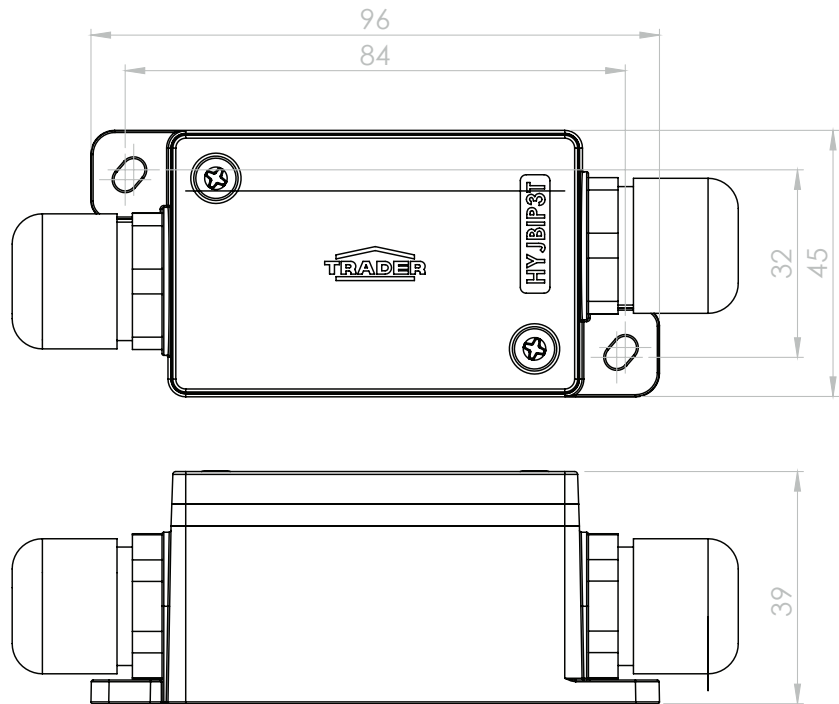
*See current catalogue for further detail

Page 2 of 3

Hyena Junction Boxes (3 Fixed Terminals)

HYJBIP3T - Junction Box IP56 with 3 Fixed Terminals

- Supplied with a removable three-way terminal block which is rated for 20A 500Vac
- IP56 to suit most outdoor locations
- 2x offset mounting holes for easy installations to maintain IP rating
- Supplied with 2x threaded 20mm cable entry options.
- Supplied with 2x 20mm cable glands & 1x 20mm plain screw conduit adapter with rubber O-ring.
- Made of UV resistant Polycarbonate (PC and PVC) material to protect against sunlight.
- Available in white, or black (please check availability).



Catalogue Number	Description
HYJBIP3T	Junction Box IP56 with 3 Fixed Terminals
HYJBIP3TBK	Junction Box IP56 with 3 Fixed Terminals, Black

Certification Number:
 TBC

GSM Electrical (Australia) Pty Ltd
 Level 2, 142-144 Fullarton Road, Rose Park SA 5067
 P: 1300 301 838 F: 1300 301 778 E: service@gsm.com.au
www.gsm.com.au



HYJB3TSC

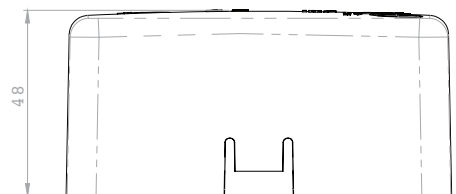
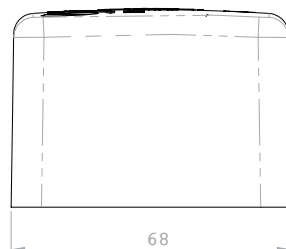
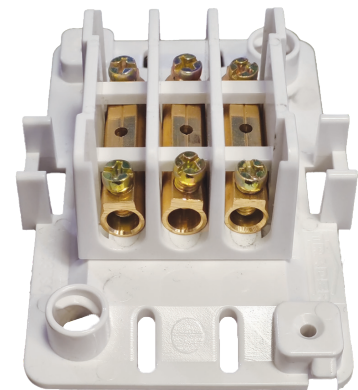
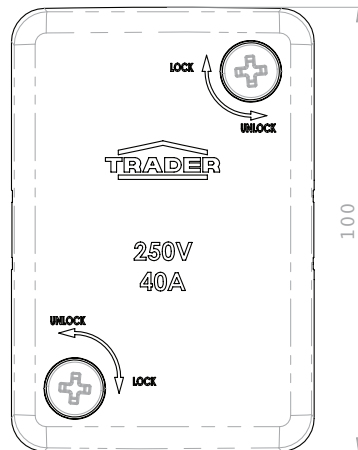
*See current catalogue for further detail

Page 3 of 3

Hyena Junction Boxes (3 Fixed Terminals)

HYJB3TSC - Junction Box Plastic 3 Fixed Twin Screw Terminals Large Profile Fast Fit Clip On Cover

- Suitable for connecting cables 3 x 6mm² or 4 x 2.5²
- Terminal tunnels 6.0mm
- Current rating 40A
- Designed for single phase applications and the assembled is rated at 250V~
- Tunnel terminals meet the 80% ruling in clause 2.10.4.2 from AS/NZS3000
- 3 brass terminals suitable for joining into existing cables for those who prefer to have the terminations fixed I the base rather than loose insulated terminals in the box.
- The junction box uses a combination of easy side clips for those who need to assemble the box lid in place prior final fastening down, combined with the fast fix diagonally opposed cover screws.
- The Junction box features the same overall size and cut out features seen in the other HYJB4T series products.



Catalogue Number	Description
HYJB3TSC	Junction Box Plastic with 3 Fixed Twin Screw Terminals 40A 250V Large Profile Fast Fit Clip On Cover White

Certification Number:
GMA-518123

GSM Electrical (Australia) Pty Ltd
Level 2, 142-144 Fullarton Road, Rose Park SA 5067
P: 1300 301 838 F: 1300 301 778 E: service@gsm.com.au
www.gsm.com.au



**HYBH
HYBHSP**

Hyena Batten Holders

- HYBH and HYBHSP B22d batten holders
- Diameter 5.0mm terminal bores.
- 4 terminal (Earth, Loop terminals) and (Live pins)
- Combination head screws
- AS/NZS 61184
- 250V~ B22d Max 3A 100W
- 50mm mounting hole centres
- 71mm diameter mounting base
- Additional thread length on the lamp holder body to allow for lamp shades if required.
- HYBHSP now has self-aligning loose ceiling plugs and screws



HYBHSP - with NEW AND IMPROVED self aligning LOOSE ceiling plugs and screws

Catalogue Number	Description
HYBH	Batten Holder
HYBHSP	Batten Holder with Loose Screw Plugs



Certification Number: GMA-504765-EA

GSM Electrical (Australia) Pty Ltd
Level 2, 142-144 Fullarton Road, Rose Park SA 5067
P: 1300 301 838 F: 1300 301 778 E: service@gsm.com.au
www.gsm.com.au



Data Specification Sheet
September 2019

**HYSS
HYSSBK
HYSS15**



Cleaning Guide:

Spraying cleaning products on to electrical products is not recommended.

It is important to ensure that switches are turned off before cleaning.

Do not use any cleaning sprays - only wipe down with damp cloth or rub with dry cloth. (Do not use an abrasive cloth as it may scratch the plastic).

Do not use harsh chemical cleaners as these can break down the plastic and cause it to crack.



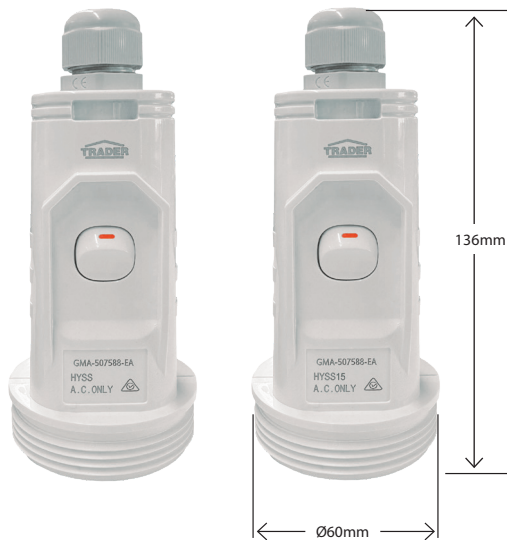
Hyena Suspension Sockets

HYSS - Suspension Socket, Switched 1 Gang, 10A 250V~ Double Pole

HYSSBK - Suspension Socket, Switched 1 Gang, 10A 250V~ Double Pole, Black

HYSS15 - Suspension Socket, Switched 1 Gang, 15A 250V~ Double Pole

- Hyena suspension sockets provide versatility and functionality, to position power overhead in convenient places above benches or work areas where other fixed sockets cannot be located.
- The main housing contains a solid loop for chain or wire rope connection, to provide support and strain relief for electrical cabling.
- Standard thread ring allows interconnection of weatherproof plugs, to assist in retention in the socket during operation.
- Double pole power point.
- Diameter of cable gland entry \varnothing 10.5mm to \varnothing 7.5mm for heavy duty cable.
- Available in white or black. Please check availability.



Eyelet loop at back for hanging purposes

Catalogue Number	Description
HYSS	Suspension Socket, Switched 1 Gang, 10A 250V~ Double Pole
HYSSBK	Suspension Socket, Switched 1 Gang, 10A 250V~ Double Pole, Black
HYSS15	Suspension Socket, Switched 1 Gang, 15A 250V~ Double Pole

Certification Number:
GMA-507588-EA

GSM Electrical (Australia) Pty Ltd
Level 2, 142-144 Fullarton Road, Rose Park SA 5067
P: 1300 301 838 F: 1300 301 778 E: service@gsme.com.au
www.gsme.com.au



Data Specification Sheet
July 2021

**HYSWPC
HYSWPCBR**



Cleaning Guide:

Spraying cleaning products on to electrical products is not recommended. It is important to ensure that switches are turned off before cleaning.

Do not use any cleaning sprays - only wipe down with damp cloth or rub with dry cloth. (Do not use an abrasive cloth as it may scratch the plastic).

Do not use harsh chemical cleaners as these can break down the plastic and cause it to crack.



Hyena Pull Cord Switch

- Pull Cord Switch 10AX 250V~ M80
- 2 Way
- 4 terminal (Common, 1, 2, Loop terminals)
- Ø56mm
- Ø4.1mm terminal holes
- 10AX
- 2m Cord
- Mounting screw centres 36mm
- Easy mounting on timber or plaster surfaces
- Cord restraint mechanism that enables easy cable length adjustment



Catalogue Number	Description
HYSWPC	Pull Cord Switch 10AX 250V~
HYSWPCBR	Pull Cord Switch 10AX 250V~ Brown

*Replacement Pull Cords available by request

Certification Number: GMA-505281-EA

GSM Electrical (Australia) Pty Ltd

Level 2, 142-144 Fullarton Road, Rose Park SA 5067

P: 1300 301 838 F: 1300 301 778 E: service@gsme.com.au

www.gsme.com.au



Data Specification Sheet
January 2024

**HYCR
HYCRBK**



Cleaning Guide:

Spraying cleaning products on to electrical products is not recommended. It is important to ensure that switches are turned off before cleaning.

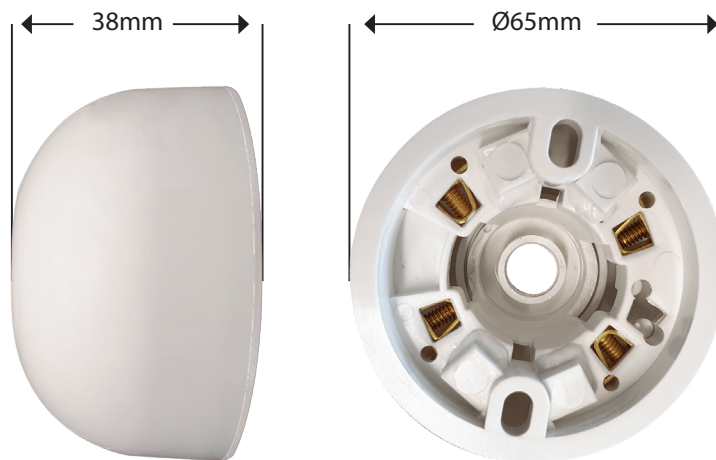
Do not use any cleaning sprays - only wipe down with damp cloth or rub with dry cloth. (Do not use an abrasive cloth as it may scratch the plastic).

Do not use harsh chemical cleaners as these can break down the plastic and cause it to crack.



Hyena Ceiling Rose

- 4 terminal 16A 500V
- Ø65mm
- Mounting screw centres 48mm
- Easy mounting on timber or plaster surfaces
- 5mm terminal holes combined with clamping nuts
- 10.7mm hole suitable for heavy duty 3 core round cable



Catalogue Number	Description
HYCR	Ceiling Rose
HYCRBK	Ceiling Rose, Black

Certification Number: GMA-508176-EA

GSM Electrical (Australia) Pty Ltd

Level 2, 142-144 Fullarton Road, Rose Park SA 5067

P: 1300 301 838 F: 1300 301 778 E: service@gsme.com.au

www.gsme.com.au



Data Specification Sheet
October 2020

**HY1GPWB
HY1GPWBR**

*See current catalogue for further detail

Page 1 of 2

Hyena Wall Boxes

- Sturdy polycarbonate construction and well insulated.
- HY1GPWBR features 7.5mm recessed internal rim for suitability of slim plate ranges to provide more room at the front region of the box aperture
- Strengthened corner features to prevent breakage when hammering into brick recesses.
- Self-gripping claws for sturdy attachment in brickwork.
- Sliding nuts at 84mm centers with protective tape to prevent concrete slurry or dust entering the threads until they are needed for use by the electrician.
- Ideally suited for Trader Flat Cat, Leopard and Cheetah sockets to provide additional space for shallow plate socket features.

Knock-outs/entries:

Rear 1 x 25, 1 x (35 Square)

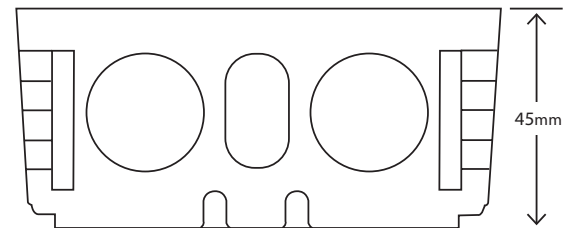
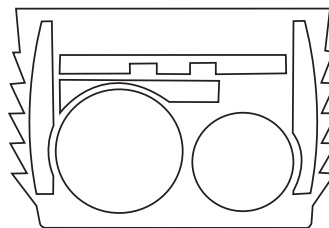
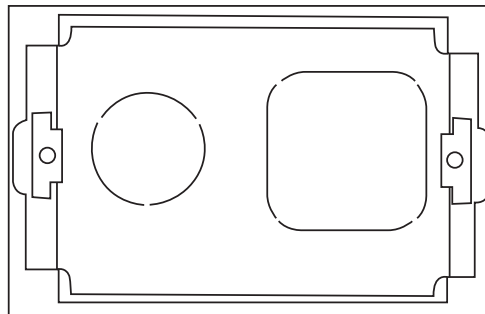
L/H Side 1 x 20, 1x 25

R/H Side 1 x 20, 1x 25

Bottom 2 x 25, 1 x (24x14)

Top 2 x 25, 1 x (24x14)

HY1GPWBR



Catalogue Number	Description
HY1GPWB	Plastic Wall Box 1 Gang with Sliding Nuts
HY1GPWBR	Plastic Wall Box Recessed 1 Gang with Sliding Nuts

**HY1GPWB
HY1GPWBR
HYWBR**

*See current catalogue for further detail

Page 2 of 2

Hyena Wall Boxes

Features:

- Constructed to organize wiring coming out of the wall.
- Suitable for installing power points to the flat screen TV . or AV installations, telephone/IT point, etc.
- Space saver whilst keeping cables neat & tidy.
- Fits standard power point or wall plate and has two AV apertures.
- Product includes a wall box, face plate, 2 empty bezels and 2 blanking inserts.
- Easy fitting, no brackets required.

Specification:

- Face plate dimension: 185 x 145 mm with 130 x 90mm opening.
- Box Internal dimension: 120 x 82 x 60mm.
- Box Hole Cut-out dimension: 166 x 100mm.
- Box Depth dimension: 63 mm.
- Wall thickness: 8 mm to 20mm.
- Suitable for 70 & 90mm wall cavities.
- Suitable for Plaster Board only, not suitable for Masonry.



Catalogue Number	Description
HYWBR	Wall Box Recessed for Power Point and AV Feeds X2 Behind Televisions

GSM Electrical (Australia) Pty Ltd
Level 2, 142-144 Fullarton Road, Rose Park SA 5067
P: 1300 301 838 F: 1300 301 778 E: service@gsm.com.au
www.gsm.com.au



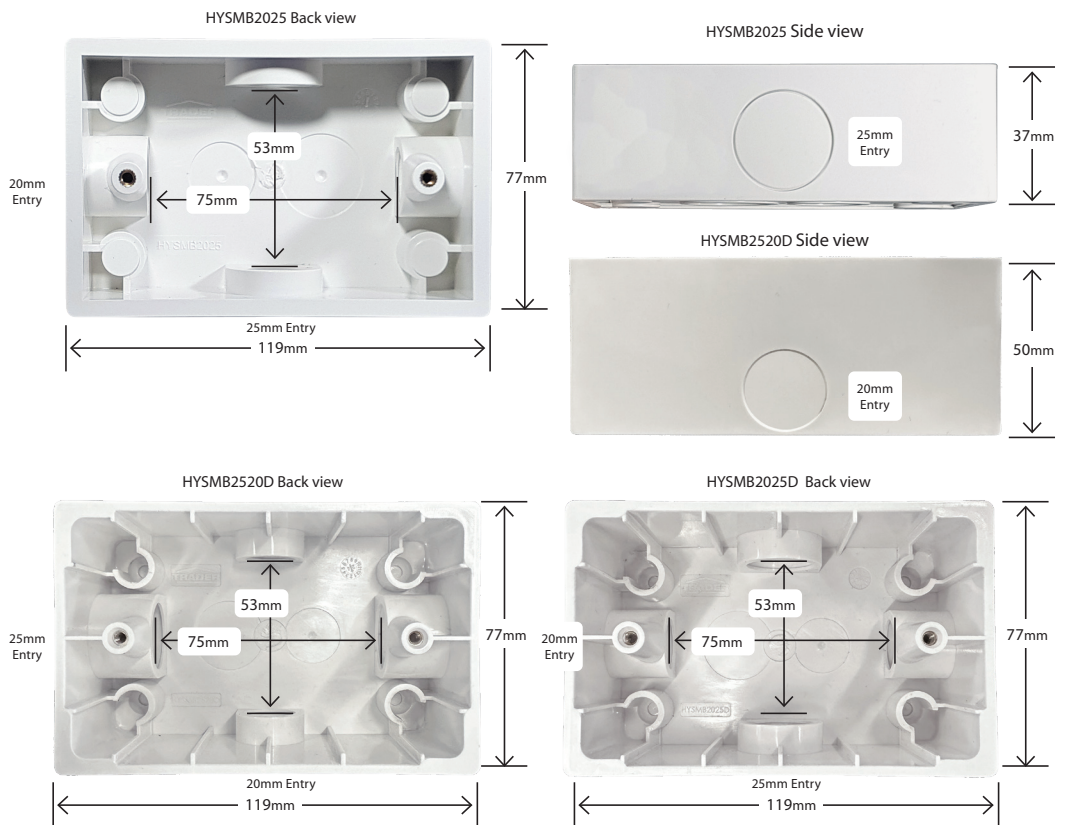
Data Specification Sheet
November 2022

HYSMB2025
HYSMB2025D
HYSMB2520D

*See current catalogue for further detail

Hyena Surface Mounting Box Enclosure with 20mm/25mm End Entries

- Made from impact modified UV stabilised PVC
- Entries 2 x 25mm (long sides) and 2 x 20mm (short sides)
- Rear drill entries for 20mm and 25mm
- Suitable for single gang size plates
- 84mm mounting holes (short screws provided)
- Comes with caps and plugs pack for entries
- HYSMB2025 Overall dimensions (length 119mm x width 77mm x depth 37mm)
- HYSMB2025D/ HYSMB2520D Overall dimensions (length 119mm x width 77mm x depth 50mm)
- HYSMB2025 Internal depth 32.5mm
- HYSMB2025D/ HYSMB2520D Internal depth 43.5mm



Catalogue Number	Description
HYSMB2025	Surface Mounting Box Enclosure with 20mm & 25mm End Entries
HYSMB2025D	Surface Mounting Box Enclosure with 20mm and 25mm End Entries Deep
HYSMB2520D	Surface Mounting Box Enclosure with 25mm and 20mm End Entries Deep



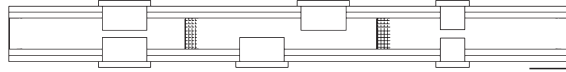
HY1GFRWB

*See current catalogue for further detail

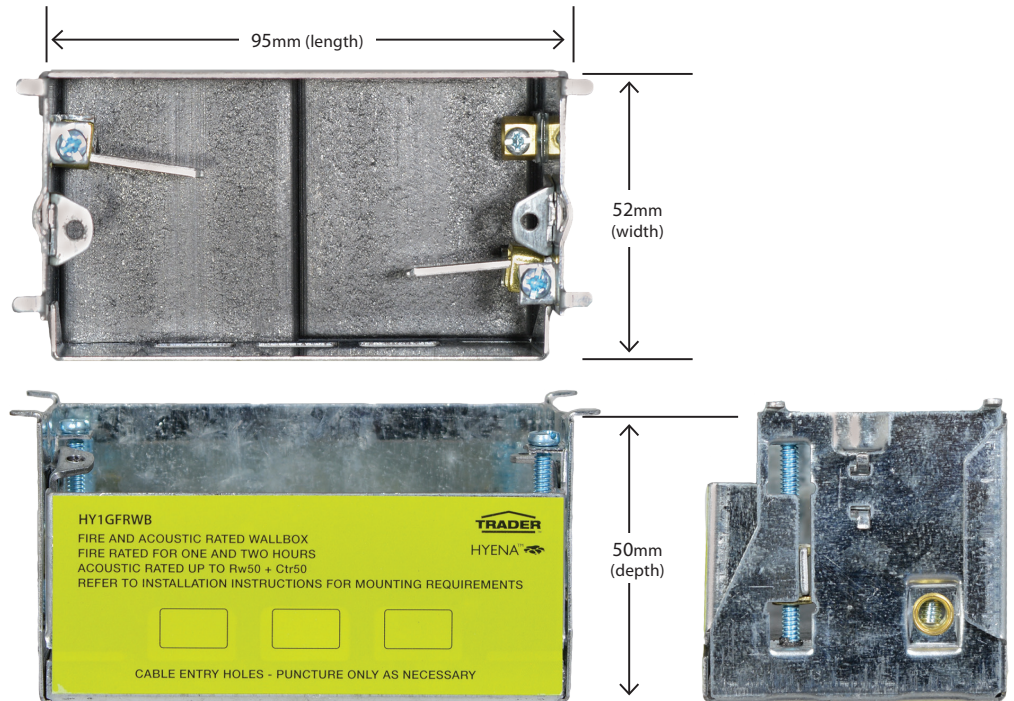


Hyena Fire Rated Wall Box

- Product is fully certified to AS1530.4-2014 with a fire rating of FRL of -120/120 (2 hours fire resistance) for back to back, side to side and above and below configurations.



- Certification: EWFA Report No. 47083900.1 Exova Warringtonfire Aust Pty Ltd 2016 (available upon request).
- Fire certification has been tested and complies without the need for fire rated mastic**, which saves time on installations.
- Acoustic Rating: Weighted Sound Reduction Rating to ISO717-1 achieved $R_w + C_{tr} = 56$ dB in testing and meets building code requirements of $R_w + C_{tr} = 50$. (Reports available upon request).
- Suitable for panels 10mm up to 33mm with adjustable clamping lugs.
- 84mm mounting centres.
- Robust construction.
- 2 x 20mm diameter entries on rear surface.
- Installation must be carried out in accordance with manufacturers installation instructions for mounting requirement.
- Box dimensions: 95mm (length) x 52mm (width) x 50mm (depth / 42mm internal depth with pads).



Catalogue Number	Description
HY1GFRWB	Fire Rated Wall Box

Certification Detail as above and reports available upon request.

GSM Electrical (Australia) Pty Ltd
Level 2, 142-144 Fullarton Road, Rose Park SA 5067
P: 1300 301 838 F: 1300 301 778 E: service@gsm.com.au
www.gsm.com.au



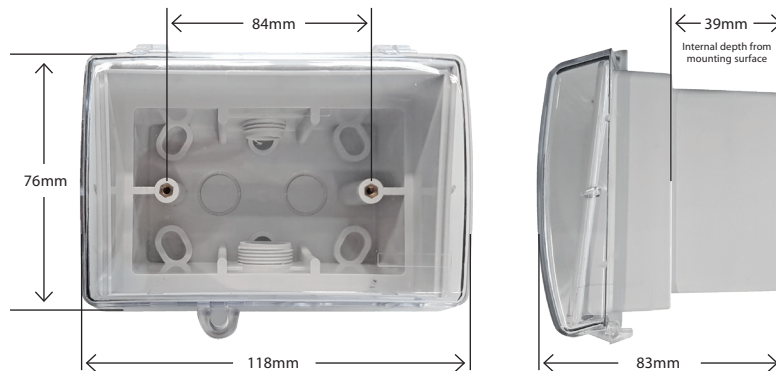
HYBOXWP

*See current catalogue for further detail

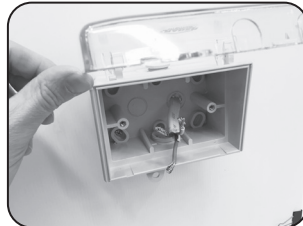


Hyena Weatherproof Box - IP33

- Robust weatherproof box suitable for installing electrical plate mounted accessories such as sockets and switches.
- 84mm centres with 33mm internal depth to bosses in bottom of box; or 40mm total depth to the rear of internal box.
- Bottom threaded entry 25mm and top entry 20mm, 2 x 20mm rear drill out entries.
- Locking facility for clear hinged flap.
- Box colour light grey.



Manufacturer's Installation Instructions



1. When installing the HYBOXWP ensure the product is mounted securely against the wall using the dill points in the covered recesses. Ensure the screw area is well sealed with silicone to protect the IP rating and apply internal screw caps.



2. Ensure all threaded entries are sealed with silicone sealant or PVC glue. If the rear entries are used ensure the box is sealed well against the wall and that any entries are sealed and water tight to prevent leaks.



3. Install socket outlet or wall plate accessory and ensure it is securely fastened and that the flap can close fully.

Suggested installation to maintain weatherproofing using permanently installed plugs



If using the assembly with plugs that are required to be inserted for permanent applications it is best to break out the lower tabs to allow cable clearance and utilise side entry plugs so that the flap can remain closed for maximum protection.

Catalogue Number	Description
HYBOXWP	1 Gang Weatherproof Mounting Enclosure



HYMF
HYMFBK
HYMFBP
HYMFMFC
HYMFMFCBK
HYMFMFCMW
HYMFMFCMBK
HYMFCORGY
HYMFCORBK
HYMFCORHGY
HYMFCORHBK

HYMFS
HYMFM

*See current catalogue for further detail

Page 1 of 3

Cleaning Guide:

Spraying cleaning products on to electrical products is not recommended.

It is important to ensure that switches are turned off before cleaning.

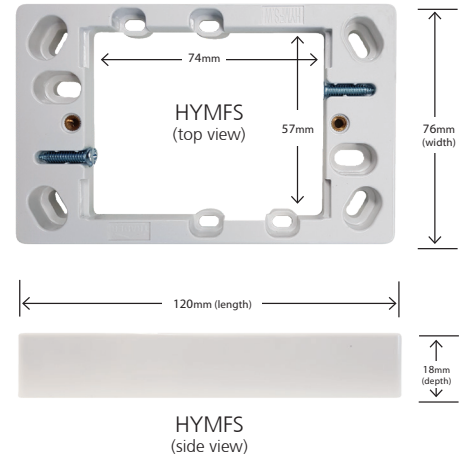
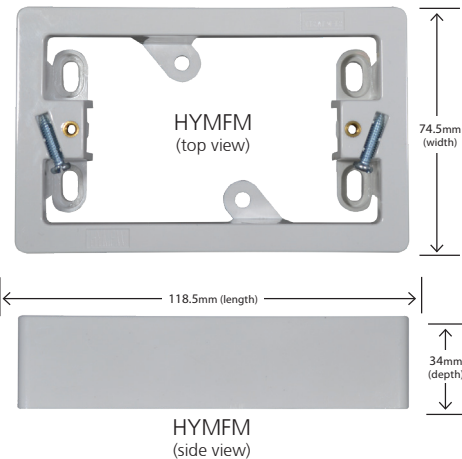
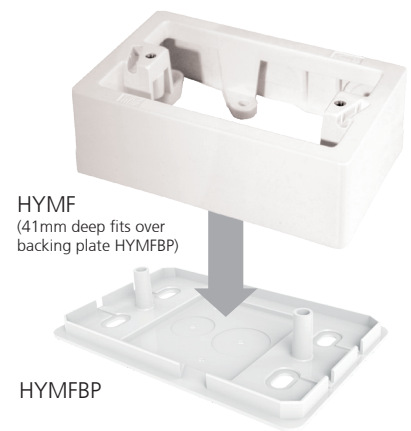
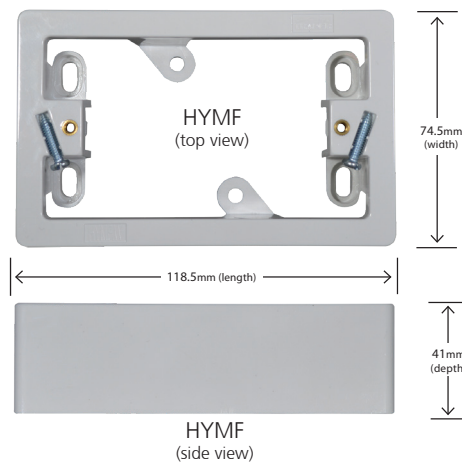
Do not use any cleaning sprays - only wipe down with damp cloth or rub with dry cloth. (Do not use an abrasive cloth as it may scratch the plastic).

Do not use harsh chemical cleaners as these can break down the plastic and cause it to crack.



Hyena Mounting Flanges

- HYMF and HYMFBK 41 mm deep mounting flange with 84mm spaced brass metal threaded inserts.
- HYMFM 34mm medium mounting flange with 84mm spaced brass metal threaded inserts.
- HYMFS 18mm shallow mounting flange with 84mm spaced brass metal threaded inserts.
- 12 break out positions for cable or conduit (3 per side and 3 per end)
- Internal opening accommodates products that are 76 x 56mm, product is ideal for mounting switch plates and sockets
- 6 mounting hole position for fixing to walls and panels
- Made from tough polycarbonate
- Colour : White



Please note: HYMFM
Does not suit backing plate HYMFBP

Please note: HYMFS
Does not suit backing plate HYMFBP

Catalogue Number	Description
HYMF	Mounting Flange 41 mm Deep
HYMFBK	Mounting Flange 41 mm Deep, Black
HYMFBP	Backing Plate with 25mm entries for HYMF
HYMFM	Mounting Flange (Medium) 34mm Deep
HYMFS	Mounting Flange (Shallow) 18mm Deep



HYMF
 HYMFBK
 HYMFBP
 HYMFMFC
 HYMFMFCBK
 HYMFMFCMW
 HYMFMFCMBK
 HYMFCORGY
 HYMFCORBK
 HYMFCORHGY
 HYMFCORHBK

HYMFS
 HYMFM

*See current catalogue for further detail

Page 2 of 3

Cleaning Guide:

Spraying cleaning products on to electrical products is not recommended.

It is important to ensure that switches are turned off before cleaning.

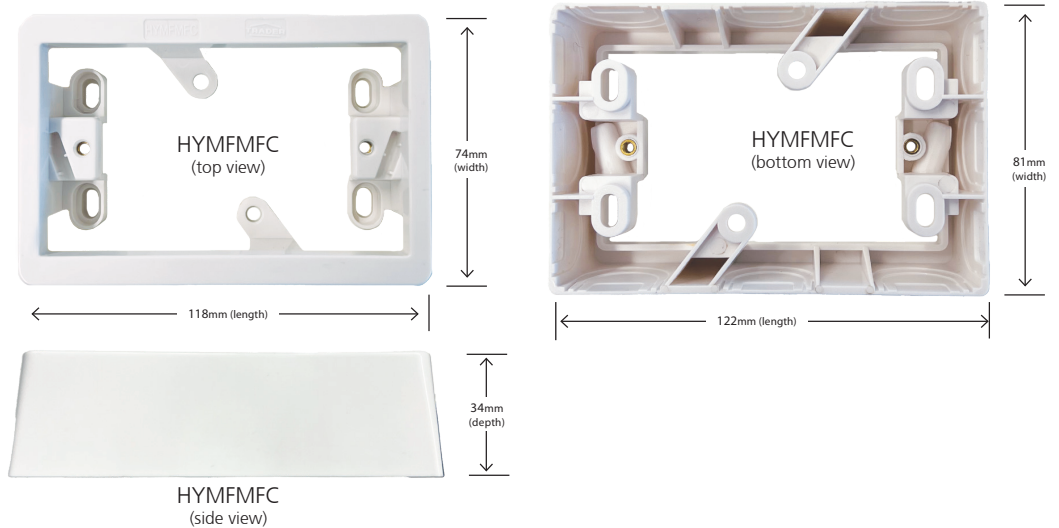
Do not use any cleaning sprays - only wipe down with damp cloth or rub with dry cloth. (Do not use an abrasive cloth as it may scratch the plastic).

Do not use harsh chemical cleaners as these can break down the plastic and cause it to crack.



Hyena Mounting Flanges

- HYMFMFC 34mm deep mounting flange with 84mm spaced brass metal threaded inserts, recessed to suit Flat Cat GPO's and Switches.
- 12 break out positions for cable or conduit (3 per side and 3 per end).
- Internal opening accommodates products that are 76 x 56mm, product is ideal for mounting switch plates and sockets.
- 6 mounting hole position for fixing to walls and panels
- Made from tough polycarbonate.
- HYMFMFC Colour: White, Black, Matt White and Matt Black available.



Catalogue Number	Description
HYMFMFC	Product description: Mounting Flange Medium, 34mm Depth for Flat Cat
HYMFMFCBK	Product description: Mounting Flange Medium, 34mm Depth for Flat Cat Black
HYMFMFCMW	Product description: Mounting Flange Medium, 34mm Depth for Flat Cat Matt White
HYMFMFCMBK	Product description: Mounting Flange Medium, 34mm Depth for Flat Cat Matt Black

GSM Electrical (Australia) Pty Ltd
 Level 2, 142-144 Fullarton Road, Rose Park SA 5067
 P: 1300 301 838 F: 1300 301 778 E: service@gsme.com.au
 www.gsme.com.au



Data Specification Sheet
 November 2022

HYMF
HYMFBK
HYMFBP
HYMFMFC
HYMFMFCBK
HYMFMFCMW
HYMFMFCMBK
HYMFCORGY
HYMFCORBK
HYMFCORHGY
HYMFCORHBK

HYMFS
HYMFM

*See current catalogue for further detail

Page 3 of 3

Cleaning Guide:

Spraying cleaning products on to electrical products is not recommended.

It is important to ensure that switches are turned off before cleaning.

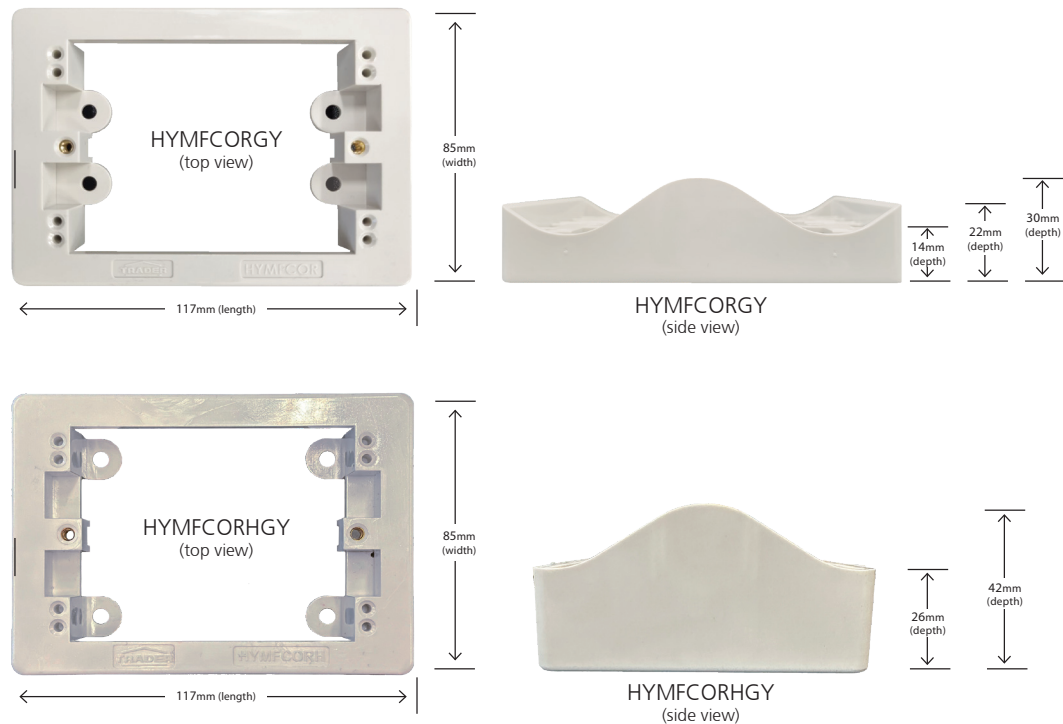
Do not use any cleaning sprays - only wipe down with damp cloth or rub with dry cloth. (Do not use an abrasive cloth as it may scratch the plastic).

Do not use harsh chemical cleaners as these can break down the plastic and cause it to crack.



Hyena Corrugated Mounting Flanges for Weatherproof Products

- HYMFCORGY 14mm shallow mounting flange with 84mm spaced brass metal threaded inserts. Wavelength mounting surface to suit corrugated surfaces with 16mm flutes.
- 2 break out positions for cable or conduit.
- 6 mounting hole position for fixing to walls and panels.
- Designed to mount back boxes for Hippo weatherproof power point HPP2G.
- Made from tough polycarbonate.
- HYMFCORHGY- 26mm shallow mounting flange for mounting 90° orientation to the HYMFCORGY (slightly deeper for mounting screws to clear entries below).
- HYMFCORGY Colour: Grey and Black available.



Catalogue Number	Description
HYMFCORGY	Mounting Flange for Corrugated Surface, 14mm Depth with 76mm Wavelength Grey
HYMFCORBK	Mounting Flange for Corrugated Surface, 14mm Depth with 76mm Wavelength Black
HYMFCORHGY	Mounting Flange for Corrugated Surface 26mm Depth with 76mm Corrugation Wavelength Horizontal Flute Grey
HYMFCORHBK	Mounting Flange for Corrugated Surface 26mm Depth with 76mm Corrugation Wavelength Horizontal Flute Black

HYSHR
HYSHRW

*See current catalogue for further detail

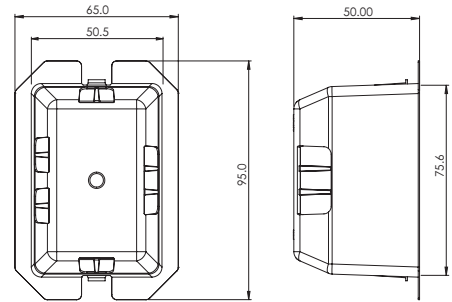
Hyena Shrouds

The Trader shrouds are universal as possible across the market with as many mounting accessories, switches and sockets. We have also made this shroud from a plastic which is as friendly as possible on your hands when installing and as easy to use as possible when performing any cut outs and cable entry points required.

HYSHR

Internal dimensions:

- Length 75.6mm
- Width 50.5mm
- Depth 50mm

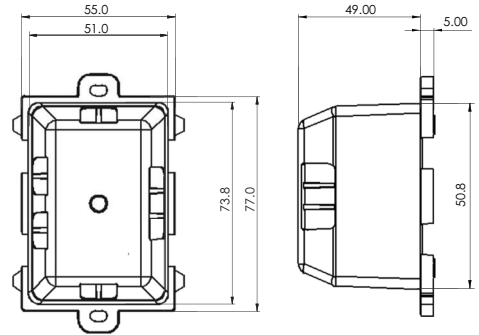


HYSHRW (Wide)

Ideally suited to fit the Flat Cat Range

Internal dimensions:

- Length 73.8mm
- Width 51.0mm
- Depth 54mm



Catalogue Number	Description
HYSHR	Insulating Shroud
HYSHRW	Insulating Shroud Wide



HYSWSHR



Cleaning Guide:

Spraying cleaning products on to electrical products is not recommended. It is important to ensure that switches are turned off before cleaning.

Do not use any cleaning sprays - only wipe down with damp cloth or rub with dry cloth. (Do not use an abrasive cloth as it may scratch the plastic).

Do not use harsh chemical cleaners as these can break down the plastic and cause it to crack.



Hyena Switch Shroud

- The insulating shroud suits components/products with a Diameter 20mm body
- It improves double insulation and accepts two twin 1.5mm² insulated sheathed cables
- Suits TRADER round based switch mechs such as: MESW, MESW20, MESWC, MESWC35, MESWI and MESWDP
- Also suits other brands



HYSWSHR Pictured with mech for example purpose

Catalogue Number	Description
HYSWSHR	Hyena Switch Shroud



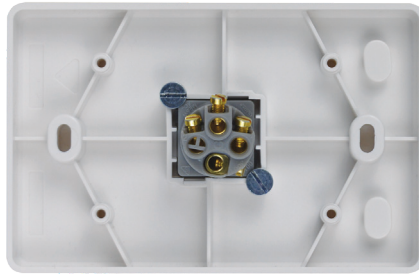
HYSCREWS



Hyena Mech Security Screws

Ideal for use with Puma Vandal Proof

- Designed to back up and clamp standard style switch mechs in the wall plate clip in features, where additional tamper proofing is required
- Fits into the small round thread detail on the rear of the plate
- Also fits PUMA, COUGAR, FLAT CAT, LEOPARD, CHEETAH and SNOW LEOPARD switch plates and some other brands
- All Puma Vandal Proof switches have 'back up screws' as standard
- Diameter \varnothing 7.5mm
- Thread 3mm



Example of screws in use with Vandal Proof switch



Catalogue Number	Description
HYSCREWS	Mech Security Screws

HYPP1G
HYPP151G
HYPP1GBK

*See current catalogue for further detail



Cleaning Guide:

Spraying cleaning products on to electrical products is not recommended. It is important to ensure that switches are turned off before cleaning.

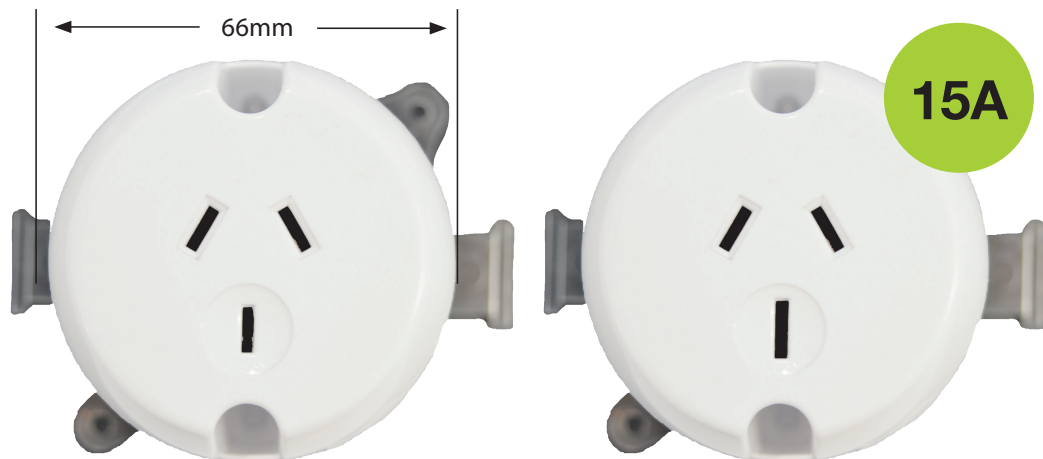
Do not use any cleaning sprays - only wipe down with damp cloth or rub with dry cloth. (Do not use an abrasive cloth as it may scratch the plastic).

Do not use harsh chemical cleaners as these can break down the plastic and cause it to crack.



Hyena Surface Socket

- Suitable for 90mm downlight holes
- Diameter 66mm
- Depth 55mm (including backing plate)
- 10A 250V~ Three pins, also available as 15A.
- Combination head screws
- Clean Precision break out for TPS cabling
- Transparent backing plate has raised edges with clean breakouts and apertures for TPS cabling
- Nail plate entry/exit points
- Multiple fixing points including external tabs for cable ties, clouts and screws
- Cover 'push clips' onto backing plate
- Standard colour is white, also available in black.



Catalogue Number	Description
HYPP1G	Surface Socket, 10A 250V~ Three Pins
HYPP151G	Surface Socket, 15A 250V~ Three Pins
HYPP1GBK	Surface Socket, 10A 250V~ Three Pins, Black

Certification Number:
SAA-161953-EA

GSM Electrical (Australia) Pty Ltd
Level 2, 142-144 Fullarton Road, Rose Park SA 5067
P: 1300 301 838 F: 1300 301 778 E: service@gsm.com.au
www.gsm.com.au



Data Specification Sheet
November 2024

**HYPP1GS
HYPP1GSBK**

*See current catalogue for further detail



Cleaning Guide:

Spraying cleaning products on to electrical products is not recommended. It is important to ensure that switches are turned off before cleaning.

Do not use any cleaning sprays - only wipe down with damp cloth or rub with dry cloth. (Do not use an abrasive cloth as it may scratch the plastic).

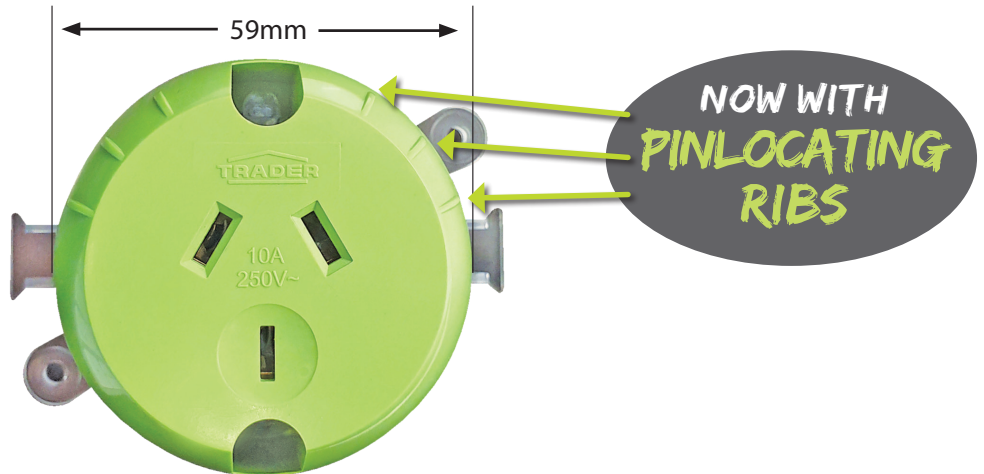
Do not use harsh chemical cleaners as these can break down the plastic and cause it to crack.



Hyena Surface Socket - Small

The HYPP1GS has the features of other larger surface sockets but packed into a smaller product with a diameter of 59mm to allow it to fit through 70mm downlight holes where others won't!

- Quality round tunnel terminals with a 6mm bore to provide plenty of wire space
- Depth 51 mm (including backing plate)
- 10A 250V~ Three Pins
- Combination head screws
- Clean precision break out features for TPS cabling
- The backing plate has raised edges with clean breakouts and apertures for TPS cabling
- Nail plate entry and exit points
- Multiple fixing points including external tabs, for cable ties, clouts and screws
- Cover push clips onto backing plate
- Quality round tunnel terminals with a 6mm terminal bore for plenty of wiring space
- **Pin Locating Ribs** allow the installer to determine the orientation of the Surface Socket without looking at it. This makes inserting the plug simple.
- Standard colour is green, also available in black.



Catalogue Number	Description
HYPP1GS	Surface Socket Small, 10A 250V~ Three Pins, with easy grip feature
HYPP1GSBK	Surface Socket Small, 10A 250V~ Three Pins, with easy grip feature, Black

Certification Number:
GMA-500370-EA

GSM Electrical (Australia) Pty Ltd
Level 2, 142-144 Fullarton Road, Rose Park SA 5067
P: 1300 301 838 F: 1300 301 778 E: service@gsme.com.au
www.gsme.com.au



Data Specification Sheet
August 2020

HYPP1GF

*See current catalogue for further detail

Cleaning Guide:

Spraying cleaning products on to electrical products is not recommended. It is important to ensure that switches are turned off before cleaning.

Do not use any cleaning sprays - only wipe down with damp cloth or rub with dry cloth. (Do not use an abrasive cloth as it may scratch the plastic).

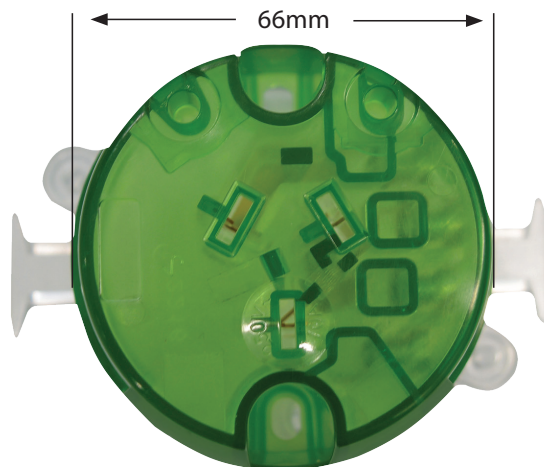
Do not use harsh chemical cleaners as these can break down the plastic and cause it to crack.



Hyena Surface Socket - Fast

The new HYPP1GF has a diameter of 66mm to allow it to fit through 70mm downlight holes where others won't!

- Quality round tunnel terminals with a 6mm bore to provide plenty of wire space
- Depth 55mm (including backing plate)
- 10A 250V~ Three Pins
- Combination head screws
- Clean precision break out features for TPS cabling
- Nail plate entry/exit points
- Multiple fixing points including external tabs for cable ties, clouts and screws
- In line terminals for faster and easy wiring access
- Easy rotation clip on backing plate- ideal for post installation access simple screwdriver
- Side entry screw access
- Sliding screw cover for safety and convenience
- Two pre-cored holes for IPA stud circuit identification assembly
- Colour: Transparent Green



Catalogue Number	Description
------------------	-------------

HYPP1GF	Surface Socket Fast, 10A 250V~ Three Pins
---------	---

Certification Number:

SAA-161953-EA

GSM Electrical (Australia) Pty Ltd

Level 2, 142-144 Fullarton Road, Rose Park SA 5067

P: 1300 301 838 F: 1300 301 778 E: service@gsme.com.au

www.gsme.com.au



Data Specification Sheet
November 2017

HYPP1GQC

*See current catalogue for further detail

Cleaning Guide:

Spraying cleaning products on to electrical products is not recommended. It is important to ensure that switches are turned off before cleaning.

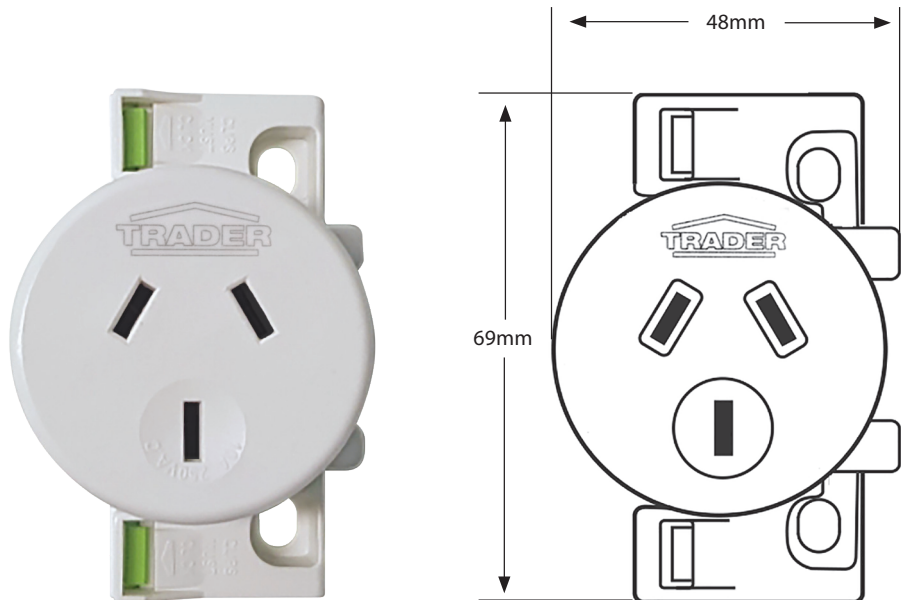
Do not use any cleaning sprays - only wipe down with damp cloth or rub with dry cloth. (Do not use an abrasive cloth as it may scratch the plastic).

Do not use harsh chemical cleaners as these can break down the plastic and cause it to crack.



Hyena Surface Socket "QC"

- Suitable for 90mm downlight holes.
- Depth 46mm.
- 10A 250V~ Three pins.
- Multiple fixing points including external tabs for cable ties, clouts and screws.
- Cover 'push clips' onto backing plate.
- Colour : White.
- Suitable for 1.0mm² to 2.5mm² TPS.
- Suitable for end or mid cable mounting.



Catalogue Number	Description
HYPP1GQC	Surface Socket "QC" 250V~ 10A Three Pins

Certification Number:
GMA-506387-EA

GSM Electrical (Australia) Pty Ltd
Level 2, 142-144 Fullarton Road, Rose Park SA 5067
P: 1300 301 838 F: 1300 301 778 E: service@gsme.com.au
www.gsme.com.au



HY2GPP

*See current catalogue for further detail

Cleaning Guide:

Spraying cleaning products on to electrical products is not recommended. It is important to ensure that switches are turned off before cleaning.

Do not use any cleaning sprays - only wipe down with damp cloth or rub with dry cloth. (Do not use an abrasive cloth as it may scratch the plastic).

Do not use harsh chemical cleaners as these can break down the plastic and cause it to crack.



Hyena Surface Socket Twin 10A 250V~ Three Pins

- Depth 49mm (including backing plate)
- 10A 250V~ Three pins
- Combination head screws
- Clean Precision break out for TPS cabling
- The backing plate has raised edges with clean breakouts and apertures for TPS cabling
- Nail plate entry/exit points
- Multiple fixing points including external tabs for cable ties, clouts and screws
- Cover 'push clips' onto backing plate
- Colour : White



Catalogue Number	Description
HY2GPP	Surface Socket Twin, 10A 250V~ Three Pins

Certification Number:
TBC

GSM Electrical (Australia) Pty Ltd
Level 2, 142-144 Fullarton Road, Rose Park SA 5067
P: 1300 301 838 F: 1300 301 778 E: service@gsme.com.au
www.gsme.com.au



Data Specification Sheet
August 2018

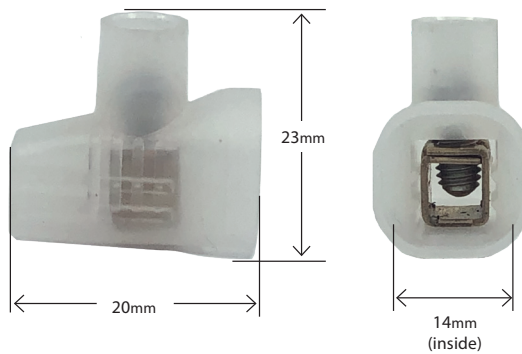
HYICU

*See current catalogue for further detail

Hyena Universal Connectors

HYICU - Single Screw (Jar of 100)

- Connecting devices for low voltage circuits for household and similar purposes.
- Suitable for earth active and neutral conductors.
- Connectors also comply with requirements of AS/NZS3000:2018 (2.10.4.2, 3.7.2.4) (3.7.2.11 for Earthing connector with 2 screws)
- Suitable for 3 x 6mm² or 4 x 2.5mm² cables
- 40A 500V
- Flexible insulation shroud
- Brass terminal tunnel diameter 6mm
- Screw #2 Philips drive with 5mm thread
- Products tested to IEC 60998-1 and IEC 60998-2-1



Catalogue Number	Description
HYICU	Insulated Connector Universal, Single Screw 40A, Jar of 100



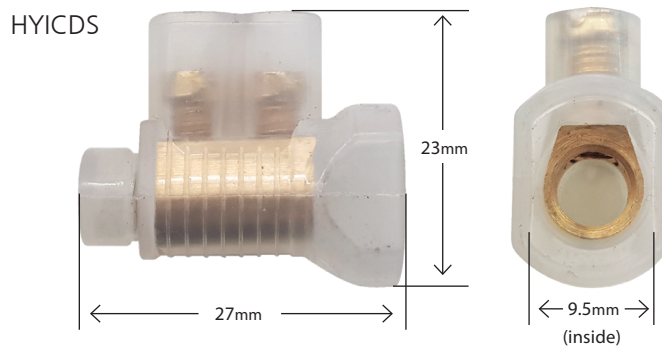
HYICDS

*See current catalogue for further detail

Hyena Insulated Connectors

HYICDS - Double Screw

- Products tested to IEC 60998-1 and IEC 60998-2-1
- Connecting devices for low voltage circuits for household and similar purposes.
- Connectors also comply with requirements of AS/NZS3000:2018 (2.10.4.2, 3.7.2.4) (3.7.2.11 for Earthing connector with 2 screws)
- Suitable for 3 x 6mm² or 4 x 2.5mm² cables
- 40A 500V
- Flexible insulation shroud
- Brass terminal tunnel diameter 6mm
- Screw #2 Philips drive with 5mm thread



Catalogue Number	Description
HYICDS	Connector Screw – Double Screw 3 x 6mm ² 40A Sold as Jar of 50

HYICDSHD16
HYICDSHD35

*See current catalogue for further detail



Cleaning Guide:

Spraying cleaning products on to electrical products is not recommended. It is important to ensure that switches are turned off before cleaning.

Do not use any cleaning sprays - only wipe down with damp cloth or rub with dry cloth. (Do not use an abrasive cloth as it may scratch the plastic).

Do not use harsh chemical cleaners as these can break down the plastic and cause it to crack.



Hyena Connectors Insulated Double Screw Large Terminals Heavy Duty

The **HYICDSHD16** large double screw Cable connectors are designed to ensure your large cables are joined safely and securely.

Features:

- 2 x 16mm² cables
- Insulator - Clear flame retardant PVC
- Screws - Solid Brass
- Screw Head - Combination Phillips/Flat
- 63A Rating
- Supplied in a box of 10
- Tested in accordance to AS/NZS IEC 60998.1

The **HYICDSHD35** large double screw Cable Connectors are designed to ensure your large cables are joined safely and securely.

Features:

- 2 x 35mm² cables
- Insulator - Clear flame retardant PVC
- Screws - Solid Brass
- Screw Head - Deep Slotted
- 80A Rating
- Supplied in a box of 5
- Tested in accordance to AS/NZS IEC 60998.1

Catalogue Number	Description
HYICDSHD16	Connectors Insulated Double Screw 2 x 16mm Squared Large Terminals Heavy Duty
HYICDSHD35	Connectors Insulated Double Screw 2 x 35mm Squared Large Terminals Heavy Duty



HYTAPE2019C5

*See current catalogue for further detail



Insulation Tape Combination Pack

HYTAPE2019C5 PVC Tape .15mmx18mm. 20m Rainbow pack (5 Rolls) is a premium grade, fully plasticised PVC electrical insulating tape, pressure sensitive adhesive and manufactured and tested in accordance with IEC60454-3-1

The pack includes the following colours:

- Black,
- Red,
- White,
- Blue,
- Green/ Yellow.

Product Features:

- Excellent adhesion
- Excellent workability
- Does not flag
- Pure PVC
- Excellent ageing
- High chemical resistance
- Excellent weather resistance
- Non-sticky sides
- 100% lead free
- Thickness of tape in mm: 0.15mm (+/-5%)
- Adhesion to steel N/cm: >1.8N/cm
- Adhesion to Backing N/cm width:>1.8 N/cm
- Tensile Strength N/cm width per mm thickness minimum:> 32N/19mm
- Breakdown Voltage at room temp. (KV/mm) > 4KV
- Dielectric strength: >35kV/mm
- Flammability: Self Extinguishing
- Temperature Rating: -10°C ~+ 90°C
- Elongation at break:>180%
- Surface finish is gloss,
- Storage: Max 24 months at +10 °C + 25°C indoors

Catalogue Number	Description
HYTAPE2019C5	Tape Insulation 20 Metres x 19 mm Combination Pack of 5 Black Blue Red White GreenYellow

GSM Electrical (Australia) Pty Ltd

Level 2, 142-144 Fullarton Road, Rose Park SA 5067
P: 1300 301 838 F: 1300 301 778 E: service@gsm.com.au
www.gsm.com.au



HYHS16
HYHS20
HYHS20SS
HYHS20M5
HYHS20H
HYHS25
HYHS25SS
HYHS25M5
HYHS25H
HYHS32
HYHS40
HYHS50
HYFS20
HYFS25
HYFS32
HYFS40
HYFS50

Available in convenient plastic carry box



Full Saddles & Half Saddles

- Half Saddles and Full Saddles are available in various sizes.
- Half saddles with greater than 6.5mm holes capable of pushing plastic wall plugs through saddle when mounted against wall.
- Full saddles have 5.5mm holes.
- Zinc plated
- HYHS20SS and HYHS25SS are Stainless Steel.



Half Saddles with 5mm holes

- Half Saddles available in two sizes - 20mm or 25mm
- 5mm holes suitable for those who prefer to use smaller headed fasteners and not allow wall plugs through the mounting hole.
- Zinc plated



Hyena Hook Saddles

- Hook Saddles available in two sizes - 20mm or 25mm
- Greater than 6.5mm holes capable of pushing plastic wall plugs through saddle when mounted against wall
- Ideal for under eave applications where standard half saddles do not fit.
- Zinc plated



GSM Electrical (Australia) Pty Ltd
 Level 2, 142-144 Fullarton Road, Rose Park SA 5067
 P: 1300 301 838 F: 1300 301 778 E: service@gsme.com.au
www.gsme.com.au



Data Specification Sheet
August 2023

HYCCH10

*See current catalogue for further detail



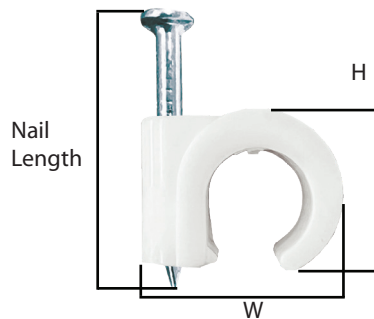
Hyena Cable Clips

Features & Benefits:

- Hardened Steel Nails, Zinc Plated
- Robust Construction

Specifications:

- Material: Clip- high-density HDPE; Nail - Zinc plated hardened steel
- Range: Hook
- Length: 10mm
- Colour: White
- Product Application: Suits 1.5-2.5mm² Two Core & Earth Round Flexible Cable



Catalogue Number	Size (mm)	W (mm)	H (mm)	Nail Length (mm)
HYCCH10	10	4.4	10.9	Φ2x26



Catalogue Number	Description
HYCCH10	Cable Clips Hook 10mm White 100 pcs Suits Coaxial Data Small Round Flexible Cables



HYCCR10

*See current catalogue for further detail



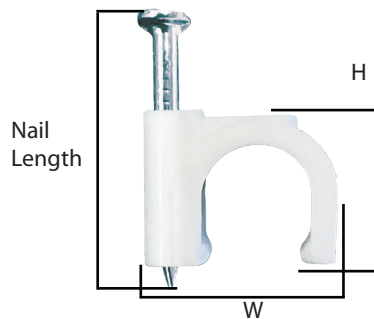
Hyena Cable Clips

Features & Benefits:

- Hardened Steel Nails, Zinc Plated
- Robust Construction

Specifications:

- Material: Clip- high-density HDPE; Nail - Zinc plated hardened steel
- Range: Round
- Length: 10mm
- Colour: White
- Product Application: Suits Coaxial Data Small Round Flexible Cables



Catalogue Number	Size (mm)	W (mm)	H (mm)	Nail Length (mm)
HYCCR10	10	7.6	13.5	Φ2x26



Catalogue Number	Description
HYCCR10	Cable Clips Round 10mm White 100 pcs Suits 1.5-2.5mm ² Two Core & Earth Round Flexible Cable



HYCCF5
HYCCF7
HYCCF10
HYCCF10B
HYCCF12
HYCCF12B
HYCCF13
HYCCF15

*See current catalogue for further detail



Hyena Cable Clips

Features & Benefits:

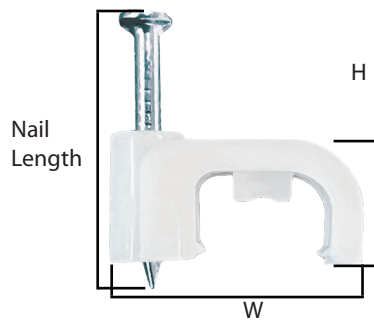
- Hardened Steel Nails, Zinc Plated
- Robust Construction
- HYCCF10 & HYCCF12 available in bulk qty 5,000 (HYCCF10B & HYCCF12B)

Specifications:

- Material: Clip- high-density HDPE; Nail - Zinc plated hardened steel
- Range: Round
- Range: Flat
- Length: 5mm, 7mm, 10mm, 12mm, 13mm, 15mm
- Colour: White

Product Application:

- HYCCF5 - Suits Bell Wire & Speaker Cable
- HYCCF7 - Suits Bell Wire, Speaker Cable & 1mm² Two Core Flat Cable
- HYCCF10 - Suits 1-1.5mm² Two Core & Earth TPS Cable
- HYCCF12 - Suits 2.5mm² Two Core & Earth TPS Cable
- HYCCF13 - Suits 2.5mm² Two Core & Earth TPS Cable
- HYCCF15 - Suits 4-6mm² Two Core & Earth TPS Cable



Catalogue Number	Size (mm)	W (mm)	H (mm)	Nail Length (mm)
HYCCF5	5	5.6	5.7	Ø2x26
HYCCF7	7	5.4	7.1	Ø2x26
HYCCF10	10	8.4	8.5	Ø2x26
HYCCF12	12	12.2	10.1	Ø2x26
HYCCF13	13	11.4	9.7	Ø2x26
HYCCF15	15	11.8	10.9	Ø2x26

Catalogue Number	Description
HYCCF5	Cable Clips Flat 5mm White Bucket with 500 pcs Suits Bell Wire or Speaker Cable
HYCCF7	Cable Clips Flat 7mm White Bucket with 500 pcs Suits Bell Wire or Speaker Cable or 1mm ² Two Core Flat Cable
HYCCF10	Cable Clips Flat 10mm White Bucket with 500 pcs Suits 1-1.5mm ² Two Core & Earth TPS Cable
HYCCF10B	Cable Clips Flat 10mm Bulk White Bucket with 500 pcs Suits 1-1.5mm ² Two Core & Earth TPS Cable
HYCCF12	Cable Clips Flat 12mm White Bucket with 500 pcs Suits 2.5mm ² Two Core & Earth TPS Cable
HYCCF12B	Cable Clips Flat 12mm Bulk White Bucket with 500 pcs Suits 2.5mm ² Two Core & Earth TPS Cable
HYCCF13	Cable Clips Flat 13mm White Bucket with 500 pcs Suits 2.5mm ² Two Core & Earth TPS Cable
HYCCF15	Cable Clips Flat 15mm White Bucket with 500 pcs Suits 4-6mm ² Two Core & Earth TPS Cable



GSM Electrical (Australia) Pty Ltd

Level 2, 142-144 Fullarton Road, Rose Park SA 5067

P: 1300 301 838 F: 1300 301 778 E: service@g sme.com.au

www.g sme.com.au

Data Specification Sheet
September 2023