

**HPISW120**  
**HPISW120BK**  
**HPISW220**  
**HPISW220BK**  
**HPISW240**  
**HPISW240BK**

\*See current catalogue for further detail



Example of internal HPISW120 switch (base mounted)



Example of cover mounted switch HPISW220

**Cleaning Guide:**

Spraying cleaning products on to electrical products is not recommended. It is important to ensure that switches are turned off before cleaning.

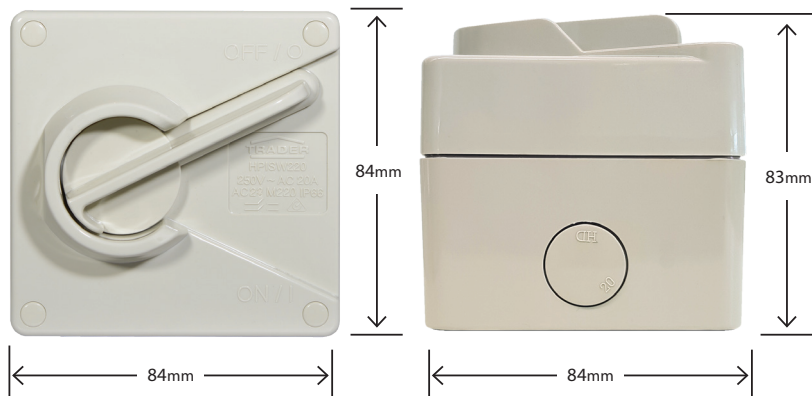
Do not use any cleaning sprays - only wipe down with damp cloth or rub with dry cloth. (Do not use an abrasive cloth as it may scratch the plastic).

Do not use harsh chemical cleaners as these can break down the plastic and cause it to crack.

## Hippo Range Heavy Duty Isolators

- HPISW220 – 20A 250V ~ rated modular weatherproof switch
- HPISW240 – 40A 250V~ rated modular weatherproof switch
- Improved Double Pole switching mechanism performance and design in comparison to HPSSWCDP220 & HPSSWCDP235
- The Hippo product is made from UV Stabilised Polycarbonate to avoid discolouring
- IP66 ideal for prevention against water or harmful objects that may compromise conventional light switches. Perfect for use in exterior applications, or damp/dusty environments such as building exteriors, carports, gardens or workshops
- Back mounting boxes that contain 20mm and 25mm plain entries
- Cover mounted switches for easier wiring and access
- Corner mounting screws for cover allows full rotation for access to different entry combinations
- Double pole as standard format only.
- M220 (40A Model)
- M160 (20A Model)
- Lock off facility
- Full AC23A rating performance for inductive motor applications
- Colour is Grey. Also available in Black by request. Please check availability.
- Note:

The HPISW120 and (BK) models are a base mounted single pole Isolators that performs in accordance with AS/NZS 3133 with motor rating of M100, this model doesn't use the corner mount screw system as the others and requires the base to be aligned in correct orientation when installing. Please see the specifications for performance in the table below.



Hippo Isolator part number	No. of poles	Current rating	Voltage	Utilization category	Motor Rating	IP Rating	Top Entries	Bottom Entries	Terminal screw drive	Terminal hole size	Padlock hole	Width	Height	Depth
HPISW120	1	20A	250V ac	-	M100	IP65	2 x 25mm Plain	2 x 20mm Plain	#1 Philips/Flat combo	Dia 4.5mm	8.4mm	84mm	84mm	83mm
HPISW220	2	20A	250V ac	AC23A	M160	IP66	2 x 25mm Plain	2 x 20mm Plain	#1 Philips/Flat combo	Dia 4.5mm	8.2mm	84mm	84mm	83mm
HPISW240	2	40A	250V ac	AC23A	M220	IP66	2 x 25mm Plain	2 x 20mm Plain	#1 Philips/Flat combo	Dia 6.4mm	8.2mm	84mm	84mm	83mm

Catalogue Number	Description
HPISW120	Isolator Switch Weatherproof IP66 20A 250V 1 Pole Small
HPISW220	Isolator Switch Weatherproof IP66 20A 250V 2 Pole Small
HPISW240	Isolator Switch Weatherproof IP66 40A 250V 2 Pole Small

When ordering BLACK product add "BK" at end of catalogue number, ie HPISW220BK

**Certification Number:**

HPISW120: GMA-507937-EA  
 HPISW220: GMA-514077-EA  
 HPISW240: GMA-514076-EA

**GSM Electrical (Australia) Pty Ltd**

Level 2, 142-144 Fullarton Road, Rose Park SA 5067  
 P: 1300 301 838 F: 1300 301 778 E: service@gsme.com.au  
[www.gsme.com.au](http://www.gsme.com.au)



**HPISWL120**  
**HPISWL140**  
**HPISWL163**  
**HPISWL220**  
**HPISWL240**  
**HPISWL263**  
**HPISWL320**  
**HPISWL340**  
**HPISWL363**  
**HPISWL420**  
**HPISWL440**  
**HPISWL463**

\*See current catalogue for further detail

## Page 1 of 2



Example of internal 1-pole switch



Example of internal 2-pole switch



Example of internal 3-pole switch



Example of internal 4-pole switch

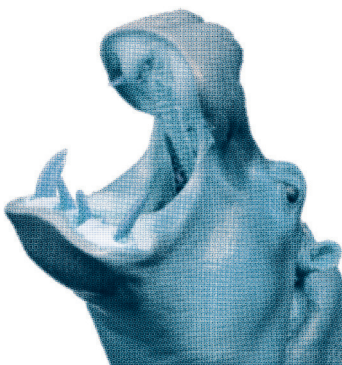
### Cleaning Guide:

Spraying cleaning products on to electrical products is not recommended.

It is important to ensure that switches are turned off before cleaning.

Do not use any cleaning sprays - only wipe down with damp cloth or rub with dry cloth. (Do not use an abrasive cloth as it may scratch the plastic).

Do not use harsh chemical cleaners as these can break down the plastic and cause it to crack.

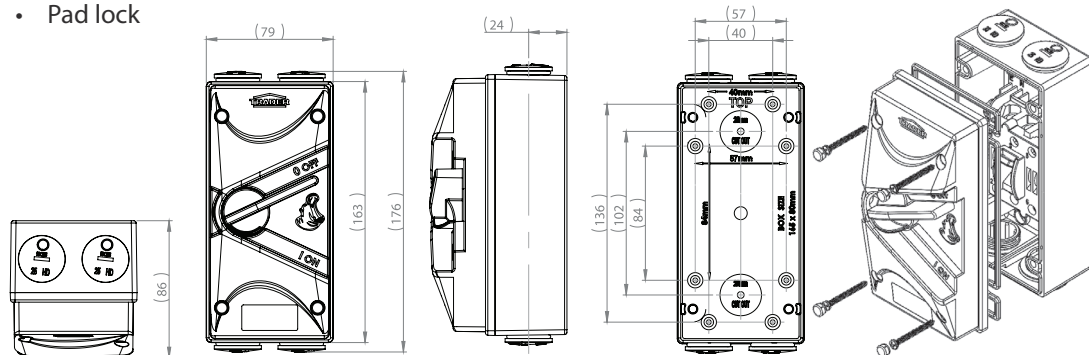


## Hippo Range Isolators - Page 1 of 2

- Hippo Isolators are tested to AS/NZS3133 and AS/NZS IEC60947-3.
- The Hippo larger enclosures feature twin 25mm threaded entries both top and bottom.
- The internal isolator switch modules are base mounted to provide a stable platform for wiring. Examples of the inner modules are pictured below.
- More detail for switches can be seen in the table on following page.
- Packaging lid features cutting template for easy marking out.
- UV stabilised
- Colour: Grey. Also available in Black, please check availability.

### The switches feature:

- Combination head terminal screws
- Combination head earth and neutral terminal screws
- Alignment sleeves on switch housing guides screwdriver into terminal screws, reduces screwdriver tips jumping out.
- Terminal bores have plenty of space for wiring (see table for sizes)
- Pad lock



Catalogue Number	Description
HPISWL120	Weatherproof Isolator IP66 20A 250V 1 Pole Large
HPISWL140	Weatherproof Isolator IP66 40A 250V 1 Pole Large
HPISWL163	Weatherproof Isolator IP66 63A 250V 1 Pole Large
HPISWL220	Weatherproof Isolator IP66 20A 440V 2 Pole Large
HPISWL240	Weatherproof Isolator IP66 40A 440V 2 Pole Large
HPISWL263	Weatherproof Isolator IP66 63A 440V 2 Pole Large
HPISWL320	Weatherproof Isolator IP66 20A 440V 3 Pole Large
HPISWL340	Weatherproof Isolator IP66 40A 440V 3 Pole Large
HPISWL363	Weatherproof Isolator IP66 63A 440V 3 Pole Large
HPISWL420	Weatherproof Isolator IP66 20A 440V 4 Pole Large
HPISWL440	Weatherproof Isolator IP66 40A 440V 4 Pole Large
HPISWL463	Weatherproof Isolator IP66 63A 440V 4 Pole Large

**When ordering BLACK product add "BK" at end of catalogue number, ie HPISW220BK**

### Certification Number:

HPISWL120, HPISWL220, HPISWL320, HPISWL420: GMA-516768-EA  
HPISWL140, HPISWL163, HPISWL240, HPISWL263, HPISWL340,  
HPISWL363, HPISWL440, HPISWL463: GMA-516781

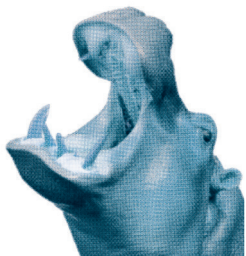
### GSM Electrical (Australia) Pty Ltd

Level 2, 142-144 Fullarton Road, Rose Park SA 5067  
P: 1300 301 838 F: 1300 301 778 E: service@gsme.com.au  
[www.gsme.com.au](http://www.gsme.com.au)



## Hippo Range Isolators - Page 2 of 2

Ratings to IEC60947-3/AS 60947-3 and AS/NZS 3133												
TYPE	1 POLE SWITCH DISCONNECTOR			2 POLE SWITCH DISCONNECTOR			3POLE SWITCH DISCONNECTOR			4 POLE SWITCH DISCONNECTOR		
Model Number (Check catalogue for availability) HPISWL***	120	140	163	220	240	263	320	340	363	420	440	463
Rated Operational Voltage Ue (50Hz)	250V			440V			440V			440V		
Rated Insulation Voltage Ui (~50Hz)	690V											
Rated Thermal Current Ith	20A	40A	63A	20A	40A	63A	20A	40A	63A	20A	40A	63A
Rated Short Time Withstand Icw (20Ie)	400A/1s	800A/1s	1.26kA/1s	400A/1s	800A/1s	1.26kA/1s	400A/1s	800A/1s	1.26kA/1s	400A/1s	800A/1s	1.26kA/1s
Rated impulse withstand voltage Uimp (kV)	4.0kV											
Rated short circuit making capacity Icm (28.4Ie)	568A	1.136kA	1.789kA	568A	1.136kA	1.789kA	568A	1.136kA	1.789kA	568A	1.136kA	1.789kA
Motor Rating in accordance with AS/NZS3133	568A	1.136kA	1.789kA	568A	1.136kA	1.789kA	568A	1.136kA	1.789kA	568A	1.136kA	1.789kA
Motor Rating in accordance with AS/NZS3133	M180											
AC21A (Ue:250V~) (Ie=(A))	20A	40A	63A	-	-	-	-	-	-	-	-	-
(Ue:440V~) (Ie=(A))	-	-	-	20A	40A	63A	20A	40A	63A	20A	40A	63A
Operational Power (Pe) (kW)	4.2kW	8.5kW	13.4kW	13.0kW	26.0kW	41.0kW	13.0kW	26.0kW	41.0kW	13.0kW	26.0kW	41.0kW
(HP)	5.7HP	11.4HP	18.0HP	17.4HP	34.9HP	54.9HP	17.4HP	34.9HP	54.9HP	17.4HP	34.9HP	54.9HP
AC22A (Ue:250V~) (Ie=(A))	20A	40A	63A	-	-	-	-	-	-	-	-	-
(Ue:440V~) (Ie=(A))	-	-	-	20A	40A	63A	20A	40A	63A	20A	40A	63A
Operational Power (Pe) (kW)	3.6kW	7.2kW	11.3kW	10.9kW	21.9kW	34.5kW	10.9kW	21.9kW	34.5kW	10.9kW	21.9kW	34.5kW
(HP)	4.8HP	9.6HP	15.2HP	14.7HP	29.3HP	46.2HP	14.7HP	29.3HP	46.2HP	14.7HP	29.3HP	46.2HP
AC23A (Ue:250V~) (Ie=(A))	20A	40A	63A	-	-	-	-	-	-	-	-	-
(Ue:440V~) (Ie=(A))	-	-	-	20A	40A	63A	20A	40A	63A	20A	40A	63A
Operational Power (Pe) (kW)	2.9kW	5.8kW	9.2kW	8.9kW	17.8kW	28.0kW	8.9kW	17.8kW	28.0kW	8.9kW	17.8kW	28.0kW
(HP)	3.9HP	7.8HP	12.3HP	11.9HP	23.85HP	37.6HP	11.9HP	23.85HP	37.6HP	11.9HP	23.85HP	37.6HP
Rated Duty	Uninterrupted											
IP Rating	IP66											
Terminal torque - Recommended (Nm)	2.5Nm											
Minimum Conductor size (mm <sup>2</sup> )	2.5	10	16	2.5	10	16	2.5	10	16	2.5	10	16
Maximum Conductor size (mm <sup>2</sup> )	25	25	25	25	25	25	25	25	25	25	25	25
Cover screw torque - Recommended (Nm)	0.6Nm											
Earth/Neutral Terminal torque - Recommended (Nm)	2.0Nm											
Terminal bore (Diameter and cross section)	7.6mm suits 25mm <sup>2</sup>											
Terminal bore box mounted Earth/Neutral (Diameter and cross section)	6.3mm suits 16mm <sup>2</sup>											
Pollution degree	2											
Lock-off padlock size	8.0MM Padlock staple											



### Certification Number:

HPISWL120, HPISWL220, HPISWL320, HPISWL420: GMA-516768-EA  
 HPISWL140, HPISWL163, HPISWL240, HPISWL263, HPISWL340,  
 HPISWL363, HPISWL440, HPISWL463: GMA-516781

### GSM Electrical (Australia) Pty Ltd

Level 2, 142-144 Fullarton Road, Rose Park SA 5067  
 P: 1300 301 838 F: 1300 301 778 E: service@gsm.com.au

[www.gsme.com.au](http://www.gsme.com.au)





**HPSSWCDP220**  
**HPSSWCDP220BK**

\*See current catalogue for further detail



**Cleaning Guide:**

Spraying cleaning products on to electrical products is not recommended. It is important to ensure that switches are turned off before cleaning.

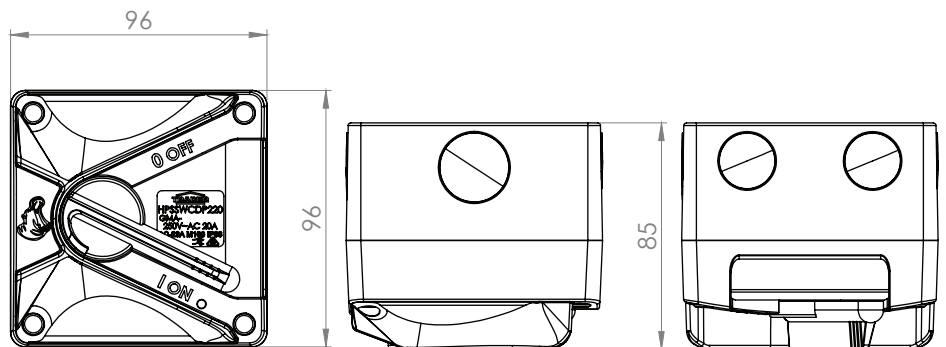
Do not use any cleaning sprays - only wipe down with damp cloth or rub with dry cloth. (Do not use an abrasive cloth as it may scratch the plastic).

Do not use harsh chemical cleaners as these can break down the plastic and cause it to crack.

# Hippo Range of Cover Mounted Double Pole Surface Switches

## HPSSWCDP220

- HPSSWCDP220/BK - 20A 250V~ rated modular weatherproof switches.
- Heavy duty double pole switch mechanism.
- The Hippo product is made from UV Stabilised Polycarbonate to avoid discolouring.
- IP66 ideal for prevention against water or harmful objects that may compromise conventional light switches. Perfect for use in exterior applications, or damp/dusty environments such as building exteriors, carports, gardens or workshops.
- Styling matches the rest of the Trader Hippo family of products.
- Back mounting boxes that contain 20mm and 25mm plain entries.
- Cover mounted switches for easier wiring and access .
- 20mm & 25mm plain entries in back box.
- Colour: Grey. Also available in Black, please check availability.
- AC23A to 20A.
- M160.
- Corner symmetrical screws for easy rotation of box to align entries.



Catalogue Number	Description
HPSSWCDP220	Weatherproof Cover Mounted Surface Switch IP66 20A 250V~ Double Pole, IP66 M160
HPSSWCDP220BK	Weatherproof Cover Mounted Surface Switch IP66 20A 250V~ Double Pole, IP66 M160, Black

**Certification Number:**  
GMA-518294-EA

**GSM Electrical (Australia) Pty Ltd**  
Level 2, 142-144 Fullarton Road, Rose Park SA 5067  
P: 1300 301 838 F: 1300 301 778 E: service@gsm.com.au  
[www.gsm.com.au](http://www.gsm.com.au)



Data Specification Sheet  
April 2024



**HPSW1G**  
**HPSW1GBK**  
**HPSW2G**  
**HPSW2GBK**

\*See current catalogue for further detail

**Cleaning Guide:**

Spraying cleaning products on to electrical products is not recommended. It is important to ensure that switches are turned off before cleaning.

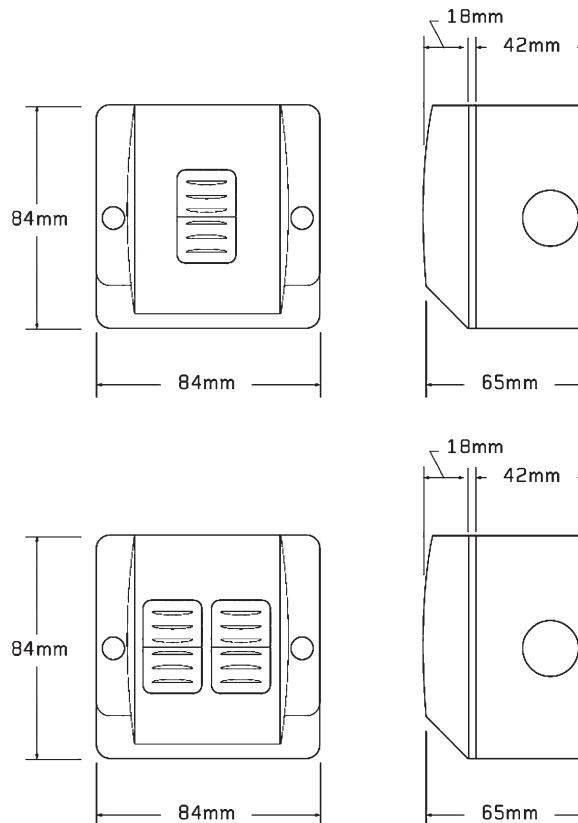
Do not use any cleaning sprays - only wipe down with damp cloth or rub with dry cloth. (Do not use an abrasive cloth as it may scratch the plastic).

Do not use harsh chemical cleaners as these can break down the plastic and cause it to crack.

## Hippo Range of Switches

### HPSW1G, HPSW2G, HPSW1GBK, HPSW2GBK

- 16AX/20A 250V~ rated modular weatherproof switches.
- Heavy duty switch mechanism with additional mech securing screws.
- The Hippo product including dollies, is made from UV Stabilised Polycarbonate to avoid discolouring.
- Switches are single pole two way with looping terminal.
- IP66 ideal for prevention against water or harmful objects that may compromise conventional light switches. Perfect for use in exterior applications, or damp/dusty environments such as building exteriors, carports, gardens or workshops.
- Styling matches the rest of the Trader Hippo family of products.
- Back mounting boxes that contain 20mm and 25mm plain entries.
- UV stabilised
- Colours available include Grey or Black.



Catalogue Number	Description
HPSW1G	Single Outdoor Switch IP66 16AX/20A
HPSW1GBK	Single Outdoor Switch IP66 16AX/20A, Black
HPSW2G	Double Outdoor Switch IP66 16AX/20A
HPSW2GBK	Double Outdoor Switch IP66 16AX/20A, Black

**Certification Number:**  
HPSW1G & HPSW2G: GMA-508435-EA

**GSM Electrical (Australia) Pty Ltd**  
Level 2, 142-144 Fullarton Road, Rose Park SA 5067  
P: 1300 301 838 F: 1300 301 778 E: service@gsme.com.au  
[www.gsme.com.au](http://www.gsme.com.au)



Data Specification Sheet  
October 2020



**HPPP1G**  
**HPPP1GBK**  
**HPPP151G**  
**HPPP1GS**  
**HPPP1GSBK**  
**HPPP151GBK**

See current catalogue for further detail

**SOCKETS  
ARE IP54  
RATED  
ZONE 2  
READY**

**DOES NOT REQUIRE  
A COVER! It comes  
standard as IP54!**

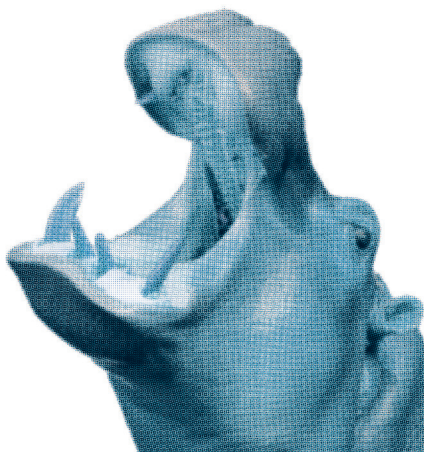
No need for additional plastic socket flaps to achieve IP54 "ZONE 2" for pools, wet areas and ponds; as per AS/NZS3000.

**Cleaning Guide:**

Spraying cleaning products on to electrical products is not recommended. It is important to ensure that switches are turned off before cleaning.

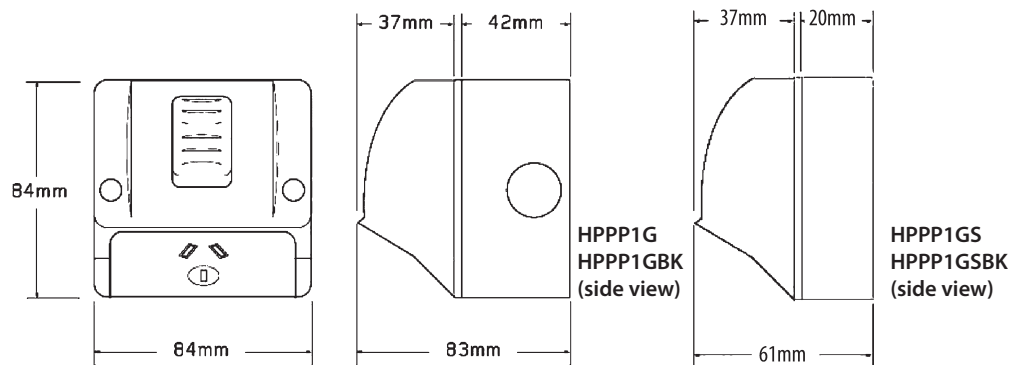
Do not use any cleaning sprays - only wipe down with damp cloth or rub with dry cloth. (Do not use an abrasive cloth as it may scratch the plastic).

Do not use harsh chemical cleaners as these can break down the plastic and cause it to crack.



## Hippo Range of Single Power Points Standard and Shallow Base Options

- 10A 250V~ rated modular weatherproof sockets.
- The Hippo product including sliding dollies, is made from UV Stabilised Polycarbonate to avoid discolouring.
- IP54 rated ideal for prevention against water splashes or harmful objects that may compromise conventional socket outlets.
- Perfect for use in exterior applications, or damp/dusty environments - building exteriors, carports, gardens or workshops.
- Styling matches the rest of the Trader Hippo family of products.
- Shutter operates from either earth or neutral.
- Back mounting boxes that contain 20mm and 25mm plain entries.
- UV stabilised
- Colour: Grey – Also available in Black – please check availability.



Catalogue Number	Description
HPPP1G	Single Outdoor Power Point IP54 10A
HPPP1GBK	Single Outdoor Power Point IP54 10A 250V~, Black
HPPP151G	Single Outdoor Power Point IP54 15A
HPPP1GS	Single Outdoor Power Point IP54 10A Shallow
HPPP1GSBK	Single Outdoor Power Point IP54 10A, Shallow, Black
HPPP151GBK	Single Outdoor Power Point IP54 15A, Black

**Certification Number:**  
GMA-508772-EA

**GSM Electrical (Australia) Pty Ltd**  
Level 2, 142-144 Fullarton Road, Rose Park SA 5067  
P: 1300 301 838 F: 1300 301 778 E: service@gsme.com.au  
[www.gsme.com.au](http://www.gsme.com.au)



## HPPP1GVDR

\*See current catalogue for further detail

**SOCKETS  
ARE IP54  
RATED  
ZONE 2  
READY**

**DOES NOT REQUIRE  
A COVER! It comes  
standard as IP54!**

No need for additional plastic socket flaps to achieve IP54 "ZONE 2" for pools, wet areas and ponds; as per AS/NZS3000.

### Cleaning Guide:

Spraying cleaning products on to electrical products is not recommended. It is important to ensure that switches are turned off before cleaning.

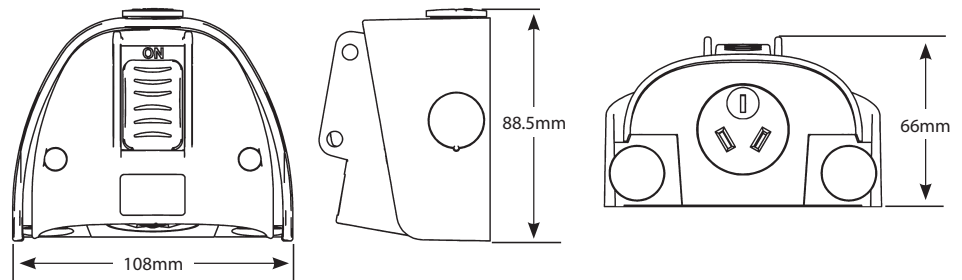
Do not use any cleaning sprays - only wipe down with damp cloth or rub with dry cloth. (Do not use an abrasive cloth as it may scratch the plastic).

Do not use harsh chemical cleaners as these can break down the plastic and cause it to crack.

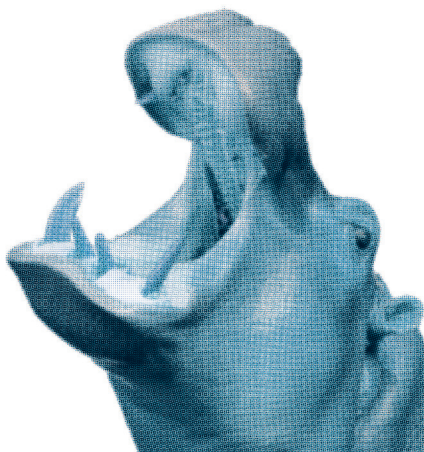
# Hippo Range of Single Power Points

## HPPP1GVDR

- 10A 250V~ rated modular weatherproof sockets.
- The Hippo product including dollies, is made from UV Stabilised Polycarbonate to avoid discolouring.
- IP54 ideal for prevention against water splashes or harmful objects that may compromise conventional socket outlets. Perfect for use in exterior applications, or damp/dusty environments - building exteriors, carports, gardens or workshops.
- Styling matches the rest of the Trader Hippo family of products.
- Single gang back mounting boxes that contain 20mm plain entries.
- **HPPP1GVDR** is lockable in the ON or OFF position.
- Shutter operates from either earth or neutral.
- UV stabilised
- Colour: Grey.



Catalogue Number	Description
HPPP1GVDR	Single Outdoor Socket Earth Pin Forward Facing IP54 10A



**Certification Number:**  
GMA-502162-EA

**GSM Electrical (Australia) Pty Ltd**  
Level 2, 142-144 Fullarton Road, Rose Park SA 5067  
P: 1300 301 838 F: 1300 301 778 E: service@gsm.com.au  
[www.gsm.com.au](http://www.gsm.com.au)



Data Specification Sheet  
October 2022



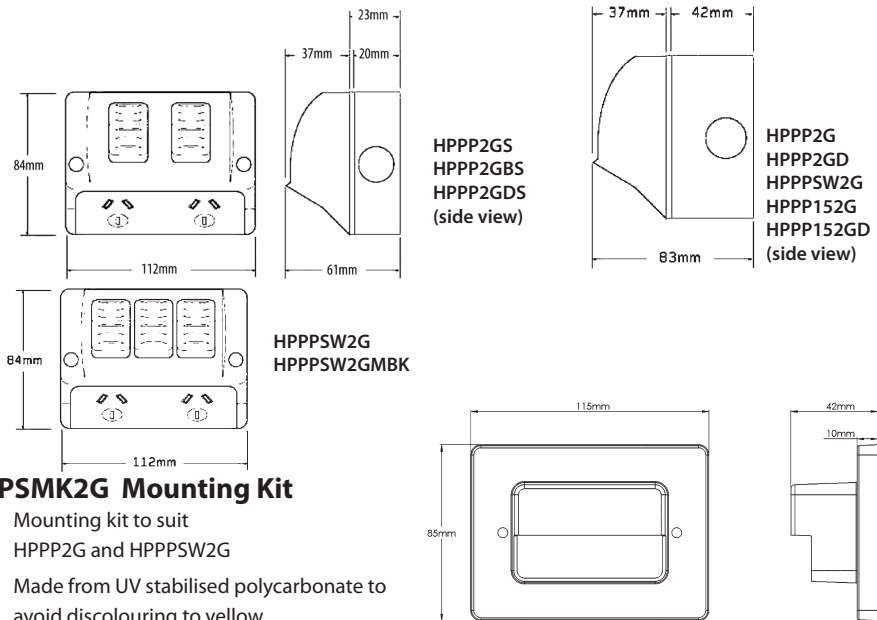
**HPPP2G**  
**HPPP2GD**  
**HPPP2GS**  
**HPPP2GDS**  
**HPPP152G**  
**HPPP152GD**  
**HPPPSW2G**  
**HPPPSW2GMBK**  
**HPPP2GBS**  
**HPSMK2G**

See current catalogue for further detail

## Hippo Range of Double Power Points

### Standard and Shallow Base, Mounting Kit

- 10A 250V~ rated modular weatherproof sockets.
- The Hippo product including dollies, is made from UV Stabilised Polycarbonate to avoid discolouring.
- IP54 ideal for prevention against water splashes or harmful objects that may compromise conventional socket outlets. Perfect for use in exterior applications, or damp/dusty environments - building exteriors, carports, gardens or workshops.
- Styling matches the rest of the Trader Hippo family of products.
- HPPP2GD/HPPP2GDBK & HPPP2GDS/HPPP2GDSBK are Double Pole. Ideal for houseboats, caravans and portable project offices.
- HPPPSW2GMBK extra switch is on a separate circuit.
- Contains 25mm plain entries.
- The Hippo mounting detail is printed on the flap of the boxes 112 x 82mm.
- Shutter operates from either earth or neutral.
- UV stabilised
- Colour: Grey & Black - please check availability. HPPP2G & HPPP2GBS available in Matt Black.



### HPSMK2G Mounting Kit

- Mounting kit to suit HPPP2G and HPPPSW2G
- Made from UV stabilised polycarbonate to avoid discolouring to yellow

**SOCKETS ARE  
IP54 RATED  
'ZONE 2'  
READY**

**DOES NOT REQUIRE  
A COVER! It comes  
standard as IP54!**

*No need for additional plastic socket flaps to achieve IP54 "ZONE 2" for pools, wet areas and ponds; as per AS/NZS 3112:2004.*

#### Cleaning Guide:

Spraying cleaning products on to electrical products is not recommended.

It is important to ensure that switches are turned off before cleaning.

Do not use any cleaning sprays - only wipe down with damp cloth or rub with dry cloth. (Do not use an abrasive cloth as it may scratch the plastic).

Do not use harsh chemical cleaners as these can break down the plastic and cause it to crack.



Catalogue Number	Description
HPPP2G	Double Outdoor Power Point IP54 10A 250V
HPPP2GD	Double Outdoor Power Point IP54 10A 250V~ Double Pole
HPPP2GS	Double Outdoor Weatherproof Power Point IP54 10A 250V~ Shallow Base
HPPP2GDS	Double Outdoor Power Point IP54 10A 250V~ Double Pole, Shallow
HPPP152G	Double Outdoor Power Point IP54 15A 250V
HPPP152GD	Double Outdoor Power Point IP54 15A 250V~ Double Pole
HPPPSW2G	Double Outdoor Power Point 10A 250V with Extra Switch 10AX
HPPPSW2GMBK	Double Outdoor Power Point 10A 250V with Extra Switch 10AX with Extra Switch 10AX 2 Way on Separate Circuit IP54 Matt Black
HPPP2GBS	Double Outdoor Weatherproof Power Point Base Only Shallow
HPSMK2G	84mm Recessed Mounting Adaptor

**When ordering BLACK product add "BK" at end of catalogue number, ie HPPP2GBK**

**When ordering MATT BLACK product add "MBK" at end of catalogue number, ie HPPP2GMBK**

#### Certification Number:

GMA-508172-EA

HPPP2GD/HPPP2GDBK, HPPP2GDS/HPPP2GDSBK: TBC

**GSM Electrical (Australia) Pty Ltd**

Level 2, 142-144 Fullarton Road, Rose Park SA 5067

P: 1300 301 838 F: 1300 301 778 E: service@gsme.com.au

[www.gsme.com.au](http://www.gsme.com.au)





## HPPP2GSC

\*See current catalogue for further detail

**SOCKETS  
ARE IP54  
RATED  
ZONE 2  
READY**

**DOES NOT REQUIRE  
A COVER! It comes  
standard as IP54!**

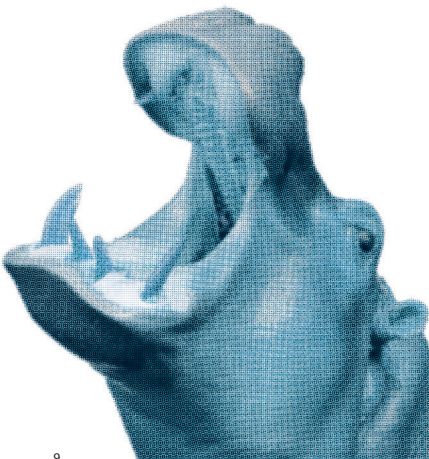
No need for additional plastic socket flaps to achieve IP54 "ZONE 2" for pools, wet areas and ponds; as per AS/NZS3000.

### Cleaning Guide:

Spraying cleaning products on to electrical products is not recommended. It is important to ensure that switches are turned off before cleaning.

Do not use any cleaning sprays - only wipe down with damp cloth or rub with dry cloth. (Do not use an abrasive cloth as it may scratch the plastic).

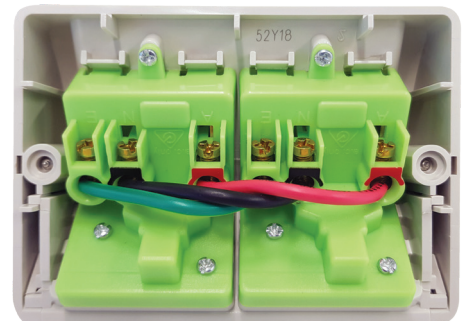
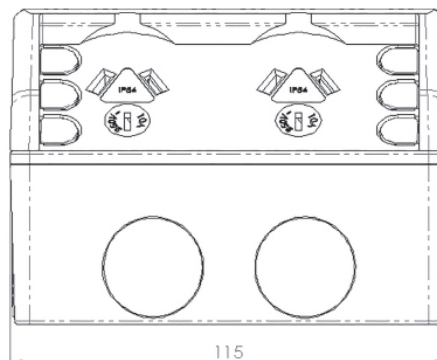
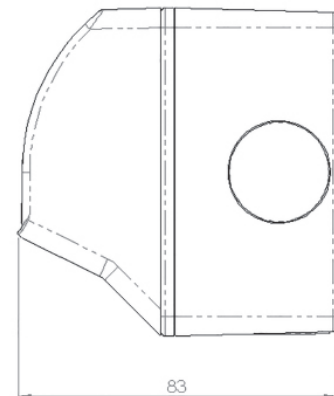
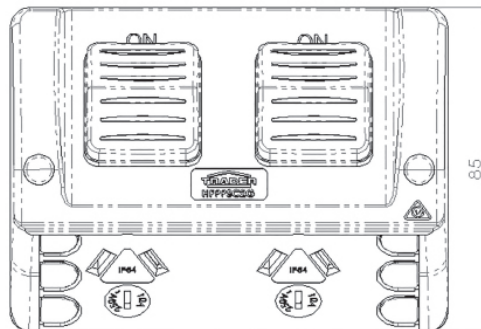
Do not use harsh chemical cleaners as these can break down the plastic and cause it to crack.



## Hippo Power Point (Separate Circuit)

The HPPP2GSC is an expansion of the Hippo Range of Power Points that allows two independent switched sockets to be wired in the same enclosure

- 10A 250V~ rated modular weatherproof sockets with loop wires.
- The Hippo product including dummies, is made from UV Stabilised Polycarbonate to avoid discolouring.
- IP54 ideal for prevention against water splashes or harmful objects that may compromise conventional socket outlets. Perfect for use in zone two exterior applications, or damp/dusty environments - building exteriors, carports, gardens or workshops.
- Styling matches the rest of the Trader Hippo family of products
- Double gang boxes containing 25mm plain and threaded entries.
- Shutter operates from either earth or neutral.
- UV stabilised
- Colour: Grey.
- Can be mounted on the shallow back box series such as the HPPP2GBS and HPSMK2G.
- Other features of the product include the removable caps adjacent to the socket faces that are designed to be replaced with IPA studs for easy circuit identification. This helps to speed up any circuit ID process as the hole positions are available from removing the existing plugs and will maintain the IP54 rating when replaced with the IPA stud.



Catalogue Number	Description
HPPP2GSC	Double Outdoor Power Point, Separate Circuit, IP54 10A

**Certification Number:**  
GMA-504800-EA

**GSM Electrical (Australia) Pty Ltd**  
Level 2, 142-144 Fullarton Road, Rose Park SA 5067  
P: 1300 301 838 F: 1300 301 778 E: service@gsm.com.au  
[www.gsm.com.au](http://www.gsm.com.au)



Data Specification Sheet  
October 2022

**HPPP2USB2GAC  
HPPP2USB2GACBK  
HPPP2USB2GACMBK**

\*See current catalogue for further detail

**SOCKETS  
ARE IP54  
RATED  
ZONE 2  
READY**

**DOES NOT REQUIRE  
A COVER! It comes  
standard as IP54!**

*No need for additional plastic  
socket flaps to achieve IP54  
"ZONE 2" for pools, wet areas  
and ponds; as per AS/NZS3000.*

**Cleaning Guide:**

Spraying cleaning products on to electrical products is not recommended. It is important to ensure that switches are turned off before cleaning.

Do not use any cleaning sprays - only wipe down with damp cloth or rub with dry cloth. (Do not use an abrasive cloth as it may scratch the plastic).

Do not use harsh chemical cleaners as these can break down the plastic and cause it to crack.



## Hippo Range of USBs

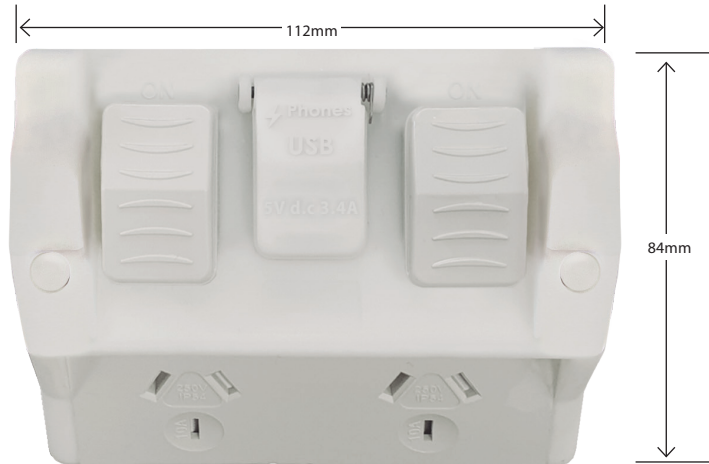
- 10A 250V~ rated modular weatherproof sockets.
- 3.4A 5V DC Type A and C USB charging.
- The Hippo product including dummies and USB cover are made from UV Stabilised Polycarbonate to avoid discolouring.
- IP54 ideal for prevention against water splashes or harmful objects that may compromise conventional socket outlets. Perfect for use in exterior applications, or damp/dusty environments - building exteriors, carports, gardens or workshops.
- Styling matches the rest of the Trader Hippo family of products.
- Contains 25mm plain entries. With one 25mm threaded entry.
- The Hippo mounting detail is printed on the flap of the boxes 112 x 82mm.
- Shutter operates from either Earth or Neutral.
- UV stabilised.
- Colour: Grey, Black & Matt Black - please check availability.



USB Type A & C



USB Cover under flap for when USB's not in use.



Catalogue Number	Description
HPPP2USB2GAC	Power Point Weatherproof 2 Gang 10A 250V USB Charger Dual Type A and C 3.4A 5V
HPPP2USB2GACBK	Power Point Weatherproof 2 Gang 10A 250V USB Charger Dual Type A and C 3.4A 5V Black
HPPP2USB2GACMBK	Power Point Weatherproof 2 Gang 10A 250V USB Charger Dual Type A and C 3.4A 5V Matt Black

**Certification Number:**  
GMA-519001-EA

**GSM Electrical (Australia) Pty Ltd**  
Level 2, 142-144 Fullarton Road, Rose Park SA 5067  
P: 1300 301 838 F: 1300 301 778 E: service@g sme.com.au  
[www.g sme.com.au](http://www.g sme.com.au)



**HPAI  
HPAIBK**

\*See current catalogue for further detail



**HPAI**



**HPAIBK**

**Cleaning Guide:**

Spraying cleaning products on to electrical products is not recommended. It is important to ensure that switches are turned off before cleaning.

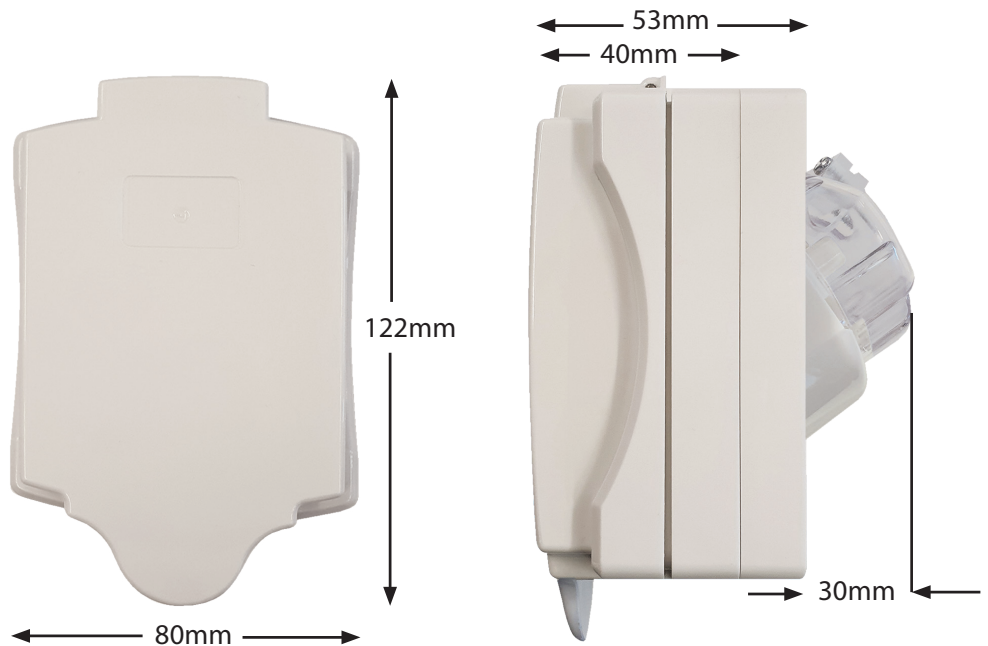
Do not use any cleaning sprays - only wipe down with damp cloth or rub with dry cloth. (Do not use an abrasive cloth as it may scratch the plastic).

Do not use harsh chemical cleaners as these can break down the plastic and cause it to crack.



## Hippo Appliance Inlets, 250V~ 15A

- These weatherproof appliance inlet are ideal for caravans or powering relocatable buildings.
- It is rated at 15A 250V ~ to provide adequate power input capability to cover accessories and equipment used in most portable dwellings.
- The HPAI has insulated safety pins to prevent accidental electrical contact and a recess placed in the inlet to allow the acceptance of a 15A shrouded cord extension socket.
- The flap on the HPAI is designed to be able to close over standard extension sockets and provide an adequate weather protection rating to IP34.
- The flap contains a flexible seal that hugs over the cable to help maintain the IP rating while it is in use.
- The product comes with a foam gasket for sealing against the mounting surface and a separate mounting flange for use in cases where wall panelling is thin and wiring space is limited.
- UV stabilised polycarbonate to resist yellowing from sunlight.
- Standard colour is White. Also available in Black - please check availability.
- Terminals are suited for 1.5mm<sup>2</sup> or 2.5mm<sup>2</sup> cables.



Catalogue Number	Description
HPAI	Appliance Inlet 250V~ 15A IP34
HPAIBK	Appliance Inlet 250V~ 15A IP34, Black

**Certification Number:**  
GMA-508578

**GSM Electrical (Australia) Pty Ltd**  
Level 2, 142-144 Fullarton Road, Rose Park SA 5067  
P: 1300 301 838 F: 1300 301 778 E: service@gsm.com.au  
[www.gsm.com.au](http://www.gsm.com.au)





**HPPP1GAU  
HPPP151GAU  
HPPP1GAUBK  
HPPP151GAUBK**

\*See current catalogue for further detail



**HPPP1GAU**



**HPPP1GAUBK**

**Cleaning Guide:**

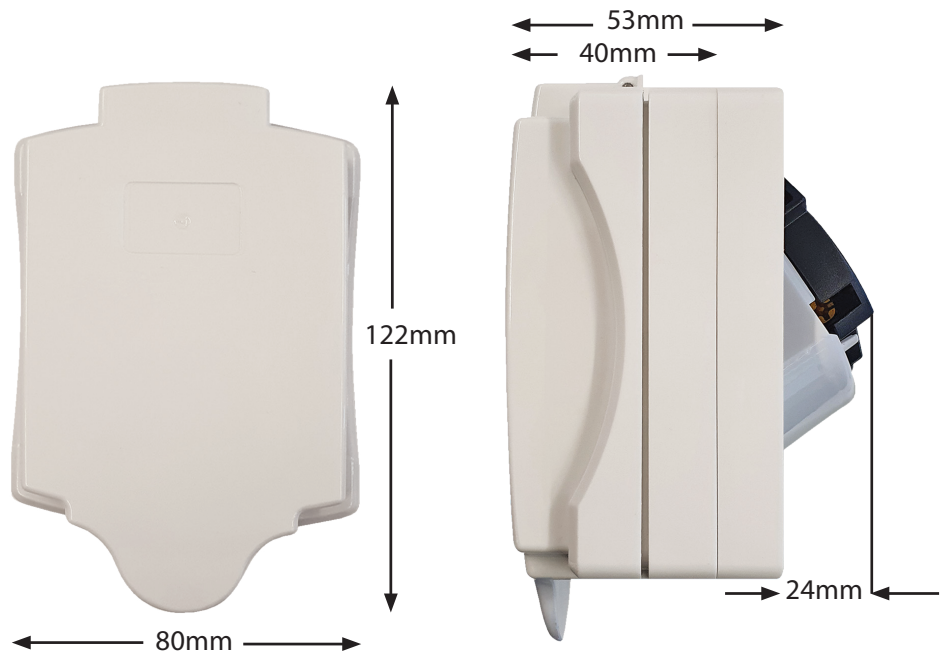
Spraying cleaning products on to electrical products is not recommended. It is important to ensure that switches are turned off before cleaning.

Do not use any cleaning sprays - only wipe down with damp cloth or rub with dry cloth. (Do not use an abrasive cloth as it may scratch the plastic).

Do not use harsh chemical cleaners as these can break down the plastic and cause it to crack.

## Hippo Single Outdoor Power Points

- This series of weatherproof auto switched sockets (power points) are ideal for caravans or accessing power from exteriors of relocatable buildings.
- Models are rated at either 10A or 15A 250V ~ and are double pole to provide adequate power required from most portable dwellings.
- The **HPPP1GAU** series has a socket that switches on when the plug is inserted.
- The flap on the **HPPP1GAU** series is designed to be able to close over standard plugs from extension cords and provide an adequate weather protection rating to IP34.
- The flap contains a flexible seal that hugs over the cable to help maintain the IP rating while it is in use.
- The product comes with a foam gasket for sealing against the mounting surface and a separate mounting flange for use in cases where wall panelling is thin and wiring space is limited.
- UV stabilised polycarbonate to resist yellowing from sunlight.
- Standard colour is White. Also available in Black - please check availability.
- Terminals are suited for up to 2 x 2.5mm<sup>2</sup> cables.



Catalogue Number	Description
HPPP1GAU	Single Outdoor Power Point IP34 10A 250V~ Double Pole Auto Switched
HPPP151GAU	Single Outdoor Power Point IP34 15A 250V~ Double Pole Auto Switched
HPPP1GAUBK	Single Outdoor Power Point IP34 10A 250V~ Double Pole Auto Switched Black
HPPP151GAUBK	Single Outdoor Power Point IP34 15A 250V~ Double Pole Auto Switched Black

**Certification Number:**  
TBC

**GSM Electrical (Australia) Pty Ltd**  
Level 2, 142-144 Fullarton Road, Rose Park SA 5067  
P: 1300 301 838 F: 1300 301 778 E: service@gsm.com.au  
[www.gsm.com.au](http://www.gsm.com.au)



Data Specification Sheet  
June 2021

