

**FLPP1G**  
**FLPP151G**  
**FLPP1GL**

Available in:  
White, Black, Matt White, Matt Black  
and with Brushed Aluminium Covers

**Cleaning Guide:**

Spraying cleaning products on to electrical products is not recommended. It is important to ensure that switches are turned off before cleaning.

Do not use any cleaning sprays - only wipe down with damp cloth or rub with dry cloth. (Do not use an abrasive cloth as it may scratch the plastic).

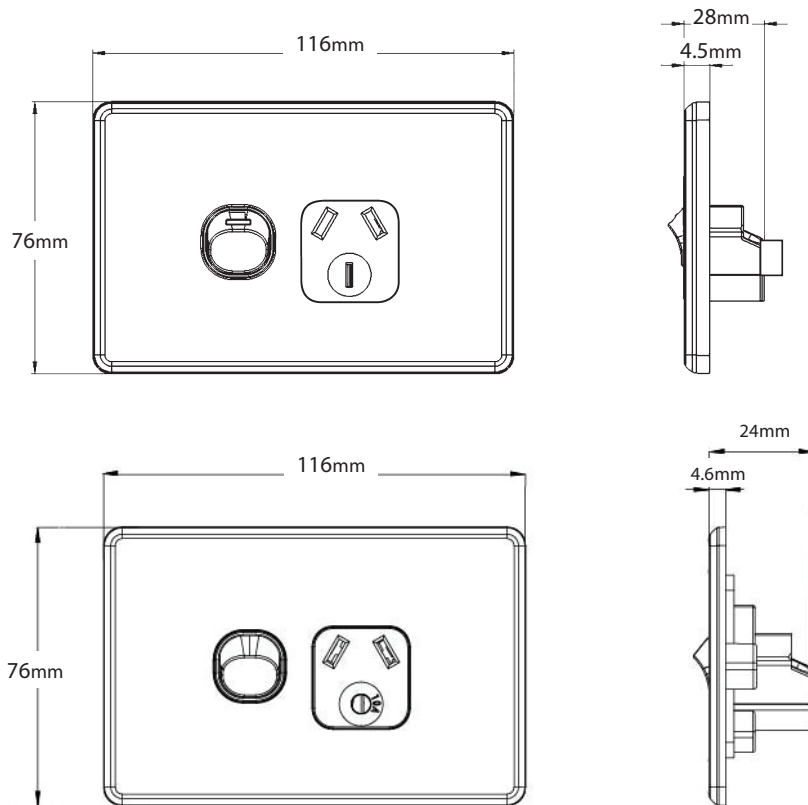
Do not use harsh chemical cleaners as these can break down the plastic and cause it to crack.

Do not wash the cover plates in water over 60°C.



## Flat Cat Range of Single Power Points

- Switches approved to AS/NZS3133
- Socket outlets approved to AS/NZS3112
- Uses brass tunnel terminals that have the screws backed out for easier installation of cabling. Power Point terminals have 5.8mm bore to suit 4 x 2.5mm<sup>2</sup> cable
- Fits recessed Australian wall boxes and mounting accessories that use 84mm mounting centres
- Covers, plates and dollies are made from UV stabilised polycarbonate to avoid discolouring to yellow
- Standard colour is White. Also available in Matt White, Black, Matt Black & with Brushed Aluminium Covers - please check availability
- Typical example of size seen below:



Catalogue Number	Description
FLPP1G	Power Point Switched 1 Gang 10A 250V~
FLPP151G	Power Point Switched 1 Gang 15A 250V~
FLPP1GL	Power Point Switched 1 Gang 10A 250V~ with Round Earth Pin

When ordering **BLACK** product add "**BK**" at end of catalogue number, ie FLPP1GBK

When ordering **MATT BLACK** product add "**MBK**" at end of catalogue number, ie FLPP1GMBK

When ordering **MATT WHITE** product add "**MW**" at end of catalogue number, ie FLPP1GMW

When ordering **BRUSHED ALUMINIUM** (cover) add "**CBA**" at end of catalogue number, ie FLPP1GCBA

**Certification Number:**

FLPP1G: GMA-509981-EA

FLPP151G: GMA-508175-EA

**GSM Electrical (Australia) Pty Ltd**

Level 2, 142-144 Fullarton Road, Rose Park SA 5067

P: 1300 301 838 F: 1300 301 778 E: service@gsm.com.au

[www.gsm.com.au](http://www.gsm.com.au)



## FLPP1GAU

\*See current catalogue for further detail

### Cleaning Guide:

Spraying cleaning products on to electrical products is not recommended.

It is important to ensure that switches are turned off before cleaning.

Do not use any cleaning sprays - only wipe down with damp cloth or rub with dry cloth. (Do not use an abrasive cloth as it may scratch the plastic).

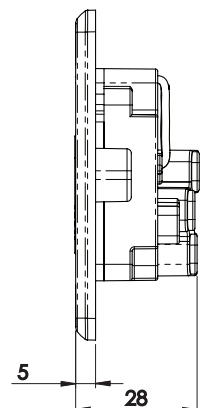
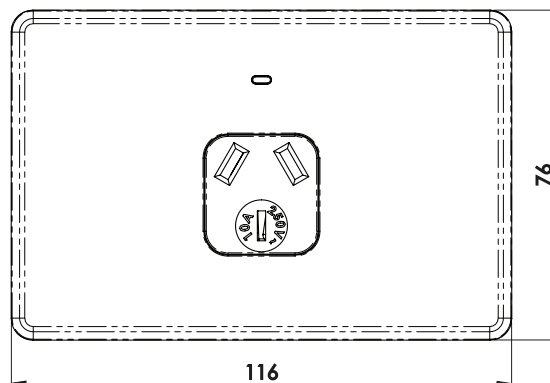
Do not use harsh chemical cleaners as these can break down the plastic and cause it to crack.

Do not wash the cover plates in water over 60°C.



## Flat Cat Range of Single Power Points (Auto Switched)

- Uses brass terminals that have the screws backed out for easier installation of cabling. Power point terminals have Square wrapped terminals to suit 4 x 2.5mm<sup>2</sup> cable.
- Fits standard Australian wall boxes and mounting accessories that use 84mm mounting centres.
- Covers, plates and dollies are made from UV stabilised polycarbonate to avoid discolouring to yellow.
- Standard colour is White.
- Socket outlets approved to AS/NZS3112.
- Active is auto switched.
- Shuttered.
- Typical example of size seen below:



Catalogue Number	Description
FLPP1GAU	Power Point Auto Switched 1 Gang 10A 250V~

**Certification Number:**  
GMA-511520-EA

**GSM Electrical (Australia) Pty Ltd**  
Level 2, 142-144 Fullarton Road, Rose Park SA 5067  
P: 1300 301 838 F: 1300 301 778 E: service@gsm.com.au  
[www.gsm.com.au](http://www.gsm.com.au)



Data Specification Sheet  
April 2022

**FLPP2G**  
**FLPP152G**  
**FLPPSW2G**  
**FLPPV2G**

Available in:  
 White, Black, Matt White, Matt Black  
 and with Brushed Aluminium Covers

**Cleaning Guide:**

Spraying cleaning products on to electrical products is not recommended.

It is important to ensure that switches are turned off before cleaning.

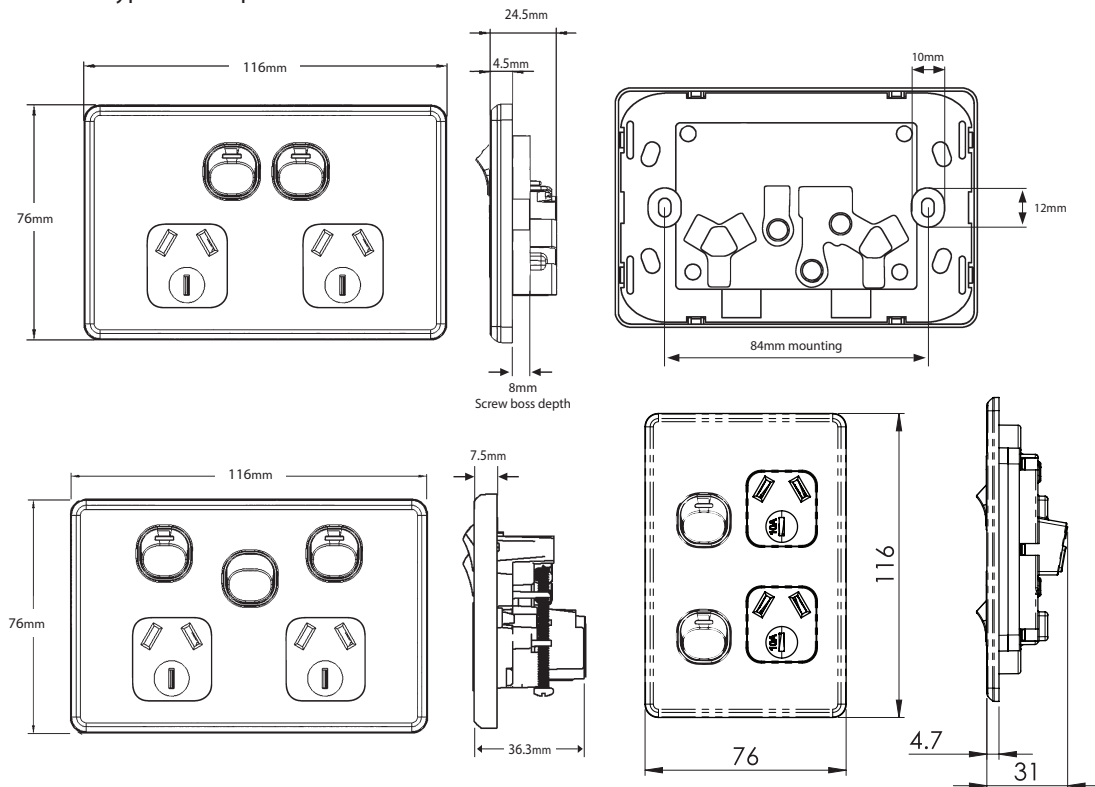
Do not use any cleaning sprays - only wipe down with damp cloth or rub with dry cloth. (Do not use an abrasive cloth as it may scratch the plastic).

Do not use harsh chemical cleaners as these can break down the plastic and cause it to crack.

Do not wash the cover plates in water over 60°C.

## Flat Cat Range of Double Power Points

- Switches approved to AS/NZS3133 or AS/NZS60669
- Socket outlets approved to AS/NZS3112
- Uses brass tunnel terminals that have the screws backed out for easier installation of cabling. Power point terminals have 5.8mm bore to suit 4 x 2.5mm<sup>2</sup> cable
- Fits recessed Australian wall boxes and mounting accessories that use 84mm mounting centres
- Covers, plates and dollies are made from UV stabilised polycarbonate to avoid discolouring to yellow
- Standard colour is White. Also available in Matt White, Black, Matt Black & Brushed Aluminium - please check availability
- Typical example of size seen below:



Catalogue Number	Description
FLPP2G	Power Point Switched 2 Gang 10A 250V~
FLPP152G	Power Point Switched 2 Gang 15A 250V~
FLPPSW2G	Power Point Switched 2 Gang 10A 250V~ With Removable Extra Switch 16AX/20A
FLPPV2G	Power Point Switched Vertical 2 Gang 10A 250V~

When ordering **BLACK** product add "**BK**" at end of catalogue number, ie FLPP1GBK

When ordering **MATT BLACK** product add "**MBK**" at end of catalogue number, ie FLPP1GMBK

When ordering **MATT WHITE** product add "**MW**" at end of catalogue number, ie FLPP1GMW

When ordering **BRUSHED ALUMINIUM** (cover) add "**CBA**" at end of catalogue number, ie FLPP1GCBA

**Product Modification note:** The Flat Cat DGPO with extra switch has recently been slightly modified in its design. The new design FLPPSW2G and FLPPSW2GCBA are marked on the packaging as Flat Cat 2.

**Certification Number:**

GMA-502069-EA / GMA-500348-EA

FLPP2VG: GMA-513745-EA

**GSM Electrical (Australia) Pty Ltd**

Level 2, 142-144 Fullarton Road, Rose Park SA 5067

P: 1300 301 838 F: 1300 301 778 E: service@gsme.com.au

[www.gsme.com.au](http://www.gsme.com.au)



Data Specification Sheet  
 October 2022



**FLPP2USBAU  
FLPP2USBAUBK  
FLPP2USBAUMW  
FLPP2USBAUMBK**

**Brush Aluminium Cover to suit  
FLPP2USBAUCBA**

**Cleaning Guide:**

Spraying cleaning products on to electrical products is not recommended.

It is important to ensure that switches are turned off before cleaning.

Do not use any cleaning sprays - only wipe down with damp cloth or rub with dry cloth. (Do not use an abrasive cloth as it may scratch the plastic).

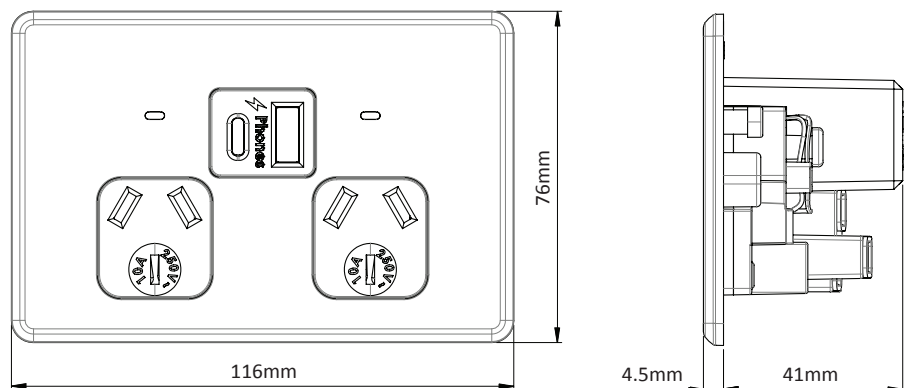
Do not use harsh chemical cleaners as these can break down the plastic and cause it to crack.

Do not wash the cover plates in water over 60°C.



## Flat Cat Range of Dual USB Charger Power Points

- Wall plate 4.5mm thick to align with other Flat Cat plates in the range.
- Socket rated to 10A 250V a.c.
- Warm white LED indicator to show power on status.
- USB outlet rated to 3.4A max total at 5V.
- Auto switched socket outlet switches active upon plug insertion/withdrawal.
- Each electrical socket contains shutters activated from the neutral pin.
- Product is approved in accordance with AS/NZS3112.
- USB outlets comply with AS/NZS61558.2.16:2010 A1-3.
- The USB circuit is integrated with the socket outlet and connected internally so only one set of terminals are required for the electrician to wire the device.
- Fits other standard mounting accessories where Flat Cat products are used.
- Terminals suit 3 x 2.5mm<sup>2</sup>.
- Where panels are less than 10mm special recessed mounting accessories must be used.
- Fits recessed Australian wall boxes and mounting accessories that use 84mm mounting centres.
- Recommended for phone use only, larger devices such as laptops with USB C connections require much greater output.
- Covers, plates and dollies are made from UV stabilised polycarbonate to avoid discolouring to yellow.
- Standard colour is White. Also available in Matt White, Black, Matt Black & with Brushed Aluminium Covers (FLPP2USBAUCBA) - please check availability.
- Typical example of size seen below:



Catalogue Number	Description
FLPP2USBAU	Power Point Fully Integrated Dual USB Charger (Type A & C) Auto Switched, 10A 250V~
FLPP2USBAUBK	Power Point Fully Integrated Dual USB Charger (Type A & C) Auto Switched, 10A 250V~ Black
FLPP2USBAUMW	Power Point Fully Integrated Dual USB Charger (Type A & C) Auto Switched, 10A 250V~ Matt White
FLPP2USBAUMBK	Power Point Fully Integrated Dual USB Charger (Type A & C) Auto Switched, 10A 250V~ Matt Black

**Certification Number:** GMA-508628-EA

**GSM Electrical (Australia) Pty Ltd**

Level 2, 142-144 Fullarton Road, Rose Park SA 5067

P: 1300 301 838 F: 1300 301 778 E: service@gsme.com.au

[www.gsme.com.au](http://www.gsme.com.au)



**FLPP2GAU  
FLPP2GAUBK  
FLPP2GAUMW  
FLPP2GAUMBK**

\*See current catalogue for further detail

**Cleaning Guide:**

Spraying cleaning products on to electrical products is not recommended.

It is important to ensure that switches are turned off before cleaning.

Do not use any cleaning sprays - only wipe down with damp cloth or rub with dry cloth. (Do not use an abrasive cloth as it may scratch the plastic).

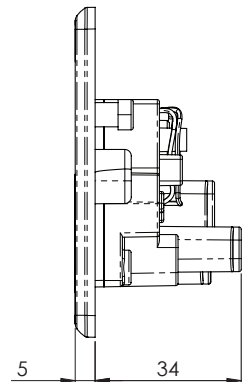
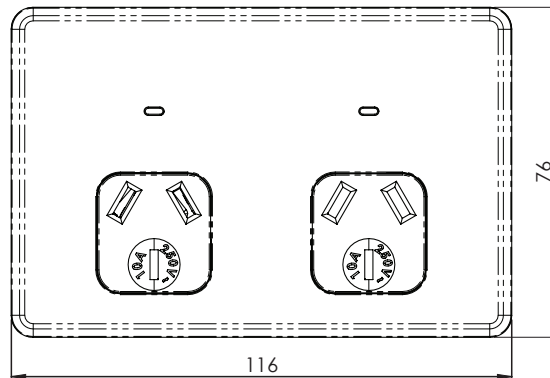
Do not use harsh chemical cleaners as these can break down the plastic and cause it to crack.

Do not wash the cover plates in water over 60°C.



## Flat Cat Range of Single Power Points (Auto Switched)

- Uses brass terminals that have the screws backed out for easier installation of cabling. Power point terminals have Square wrapped terminals to suit 4 x 2.5mm<sup>2</sup> cable.
- Fits standard Australian wall boxes and mounting accessories that use 84mm mounting centres.
- Covers, plates and dollies are made from UV stabilised polycarbonate to avoid discolouring to yellow.
- Standard colour is white. Black, Matt White and Matt Black also stocked please check availability.
- Socket outlets approved to AS/NZS3112.
- Active is auto switched.
- Shuttered.
- Typical example of size seen below:



Catalogue Number	Description
FLPP2GAU	Power Point Auto Switched 2 Gang 10A 250V~
FLPP2GAUBK	Power Point Auto Switched 2 Gang 10A 250V~ Black
FLPP2GAUMW	Power Point Auto Switched 2 Gang 10A 250V~ Matt White
FLPP2GAUMBK	Power Point Auto Switched 2 Gang 10A 250V~ Matt Black

**Certification Number:**  
GMA-511520-EA

**GSM Electrical (Australia) Pty Ltd**  
Level 2, 142-144 Fullarton Road, Rose Park SA 5067  
P: 1300 301 838 F: 1300 301 778 E: service@gsme.com.au  
[www.gsme.com.au](http://www.gsme.com.au)



Data Specification Sheet  
April 2022

**FLPP4G**  
**FLPP4GBK**  
**FLPP4GMW**  
**FLPP4GMBK**

\*See current catalogue for further detail

**Cleaning Guide:**

Spraying cleaning products on to electrical products is not recommended.

It is important to ensure that switches are turned off before cleaning.

Do not use any cleaning sprays - only wipe down with damp cloth or rub with dry cloth. (Do not use an abrasive cloth as it may scratch the plastic).

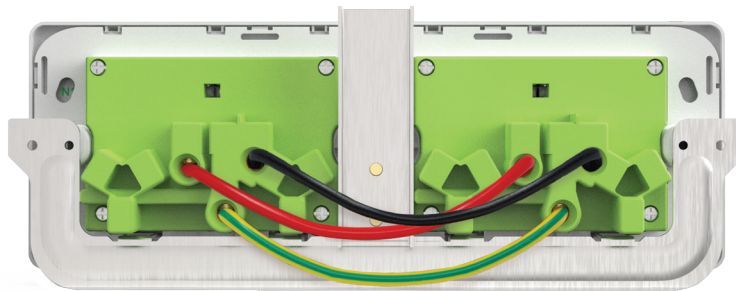
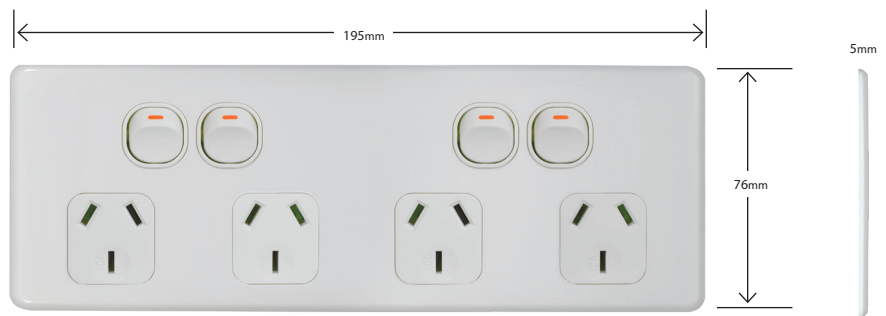
Do not use harsh chemical cleaners as these can break down the plastic and cause it to crack.

Do not wash the cover plates in water over 60°C.



## Flat Cat Range of 4 Gang Power Points

- 183mm mounting centers
- Supplied 2 gang wall bracket
- Pre-wired for easy installation to suit 1 power circuit
- 5mm thick
- Single Pole switched
- 10A 250V
- Covers, plates and dollies are made from UV stabilised polycarbonate to avoid discolouring to yellow.
- Approved to AS/NZS3112.
- Uses brass tunnel terminals that have the screws backed out for easier installation of cabling. Power Point terminals have 5.8mm bore to suit 4 x 2.5mm<sup>2</sup> cable.
- Standard colour is White. Also available in Matt White, Black and Matt Black - please check availability



Catalogue Number	Description
FLPP4G	Power Point Switched 4 Gang 10A 250V~ Flush Mount with Custom Mounting Bracket
FLPP4GBK	Power Point Switched 4 Gang 10A 250V~ Flush Mount with Custom Mounting Bracket Black
FLPP4GMW	Power Point Switched 4 Gang 10A 250V~ Flush Mount with Custom Mounting Bracket Matt White
FLPP4GMBK	Power Point Switched 4 Gang 10A 250V~ Flush Mount with Custom Mounting Bracket Matt Black

**Certification Number:** TBC

**GSM Electrical (Australia) Pty Ltd**

Level 2, 142-144 Fullarton Road, Rose Park SA 5067

P: 1300 301 838 F: 1300 301 778 E: service@gsm.com.au

[www.gsm.com.au](http://www.gsm.com.au)



Data Specification Sheet  
December 2022

*Vertical Switches*

**FLSWV1G**  
**FLSWV2G**  
**FLSWV3G**  
**FLSWV4G**  
**FLSWV5G**  
**FLSWV6G**

*Horizontal Switches*

**FLSW1G**  
**FLSW2G**  
**FLSW3G**  
**FLSW4G**  
**FLSW5G**  
**FLSW6G**

*Switch Plates (Less Mechs)*

**FLSWPV1G**  
**FLSWPV2G**  
**FLSWPV3G**  
**FLSWPV4G**  
**FLSWPV5G**  
**FLSWPV6G**  
**FLSWPVXG**

Available in:  
 White, Black, Matt White, Matt Black  
 and Brushed Aluminium

**Cleaning Guide:**

Spraying cleaning products on to electrical products is not recommended.

It is important to ensure that switches are turned off before cleaning.

Do not use any cleaning sprays - only wipe down with damp cloth or rub with dry cloth. (Do not use an abrasive cloth as it may scratch the plastic).

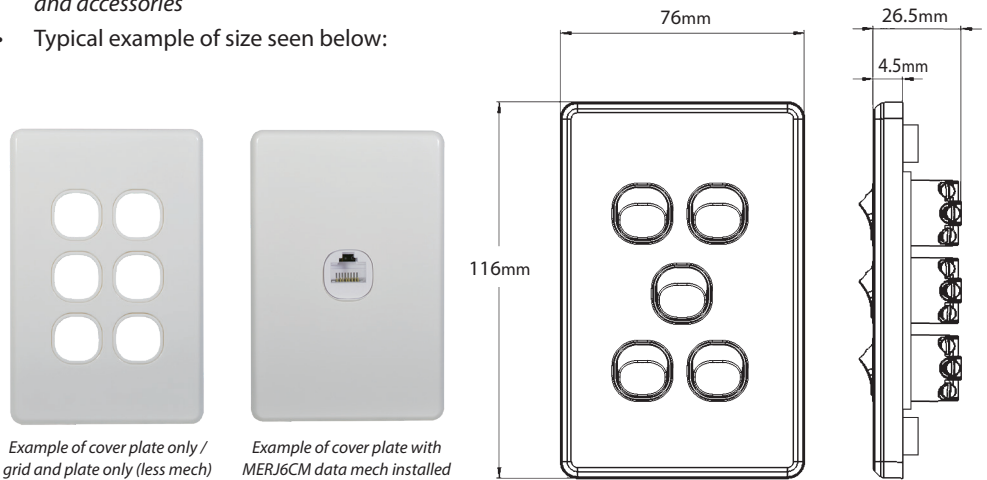
Do not use harsh chemical cleaners as these can break down the plastic and cause it to crack.

Do not wash the cover plates in water over 60°C.



## Flat Cat Range of Switch Plates

- Switches are rated 10AX/16A 250V~ and approved to AS/NZS3133
- Fits recessed Australian wall boxes and mounting accessories that use 84mm mounting centres
- Uses brass tunnel terminals that have the screws backed out for easier installation of cabling. Switches are two way with looping terminal and suit 4 x 1.5mm<sup>2</sup> cabling with 4.1 bore
- Slotted head screws for the terminals
- Covers, plates and dollies are made from UV stabilised polycarbonate to avoid discolouring to yellow
- Standard colour is White. Also available in Matt White, Black, Matt Black & Brushed Aluminium - please check availability
- Plates suit Trader Meerkat MESW mechs, including TV and Data; and Clipsal 30 Style\* mechs and accessories
- Typical example of size seen below:



Example of cover plate only / grid and plate only (less mech)

Example of cover plate with MERJ6CM data mech installed

Catalogue No.	Description
FLSWV1G	Switch Vertical 1 Gang, 10AX/16A 250V~
FLSWV2G	Switch Vertical 2 Gang, 10AX/16A 250V~
FLSWV3G	Switch Vertical 3 Gang, 10AX/16A 250V~
FLSWV4G	Switch Vertical 4 Gang, 10AX/16A 250V~
FLSWV5G	Switch Vertical 5 Gang, 10AX/16A 250V~
FLSWV6G	Switch Vertical 6 Gang, 10AX/16A 250V~
FLSW1G	Switch Horizontal 1 Gang, 10AX/16A 250V~
FLSW2G	Switch Horizontal 2 Gang, 10AX/16A 250V~
FLSW3G	Switch Horizontal 3 Gang, 10AX/16A 250V~
FLSW4G	Switch Horizontal 4 Gang, 10AX/16A 250V~
FLSW5G	Switch Horizontal 5 Gang, 10AX/16A 250V~
FLSW6G	Switch Horizontal 6 Gang, 10AX/16A 250V~

Horizontals available by request

Catalogue No.	Description
FLSWPV1G	Switch Plate Vertical 1 Gang (Less Mech)
FLSWPV2G	Switch Plate Vertical 2 Gang (Less Mech)
FLSWPV3G	Switch Plate Vertical 3 Gang (Less Mech)
FLSWPV4G	Switch Plate Vertical 4 Gang (Less Mech)
FLSWPV5G	Switch Plate Vertical 5 Gang (Less Mech)
FLSWPV6G	Switch Plate Vertical 6 Gang (Less Mech)
FLSWPVXG	Blank plate with clip on surround

The above catalogue numbers where "P" appears in number, refers to Cover Plate Only / Grid and Plate only (less mech)

\* The Clipsal brand and associated products are Trademarks of Schneider Electric (Australia) Pty Ltd.

GSM Electrical (Australia) Pty Ltd, the TRADER brand and it's products, have no endorsement or affiliation with Schneider Electric Pty Ltd.

When ordering **BLACK** product add "BK" at end of catalogue number, ie FLPP1GBK  
 When ordering **MATT BLACK** product add "MBK" at end of catalogue number, ie FLPP1GMBK  
 When ordering **MATT WHITE** product add "MW" at end of catalogue number, ie FLPP1GMW  
 When ordering **BRUSHED ALUMINIUM** (cover) add "CBA" at end of catalogue number, ie FLPP1GCBA



**MEERKAT Switch Mechanisms** are used for all switch plates. Please refer to Meerkat Mech Matrix for range compatibility.

Certification Number: GMA-508434-EA

**GSM Electrical (Australia) Pty Ltd**  
 Level 2, 142-144 Fullarton Road, Rose Park SA 5067  
 P: 1300 301 838 F: 1300 301 778 E: service@gsm.com.au  
[www.gsm.com.au](http://www.gsm.com.au)



Data Specification Sheet  
 February 2021

**FLSWVA1G**  
**FLSWVA2G**

\*See current catalogue for further detail

**Cleaning Guide:**

Spraying cleaning products on to electrical products is not recommended.

It is important to ensure that switches are turned off before cleaning.

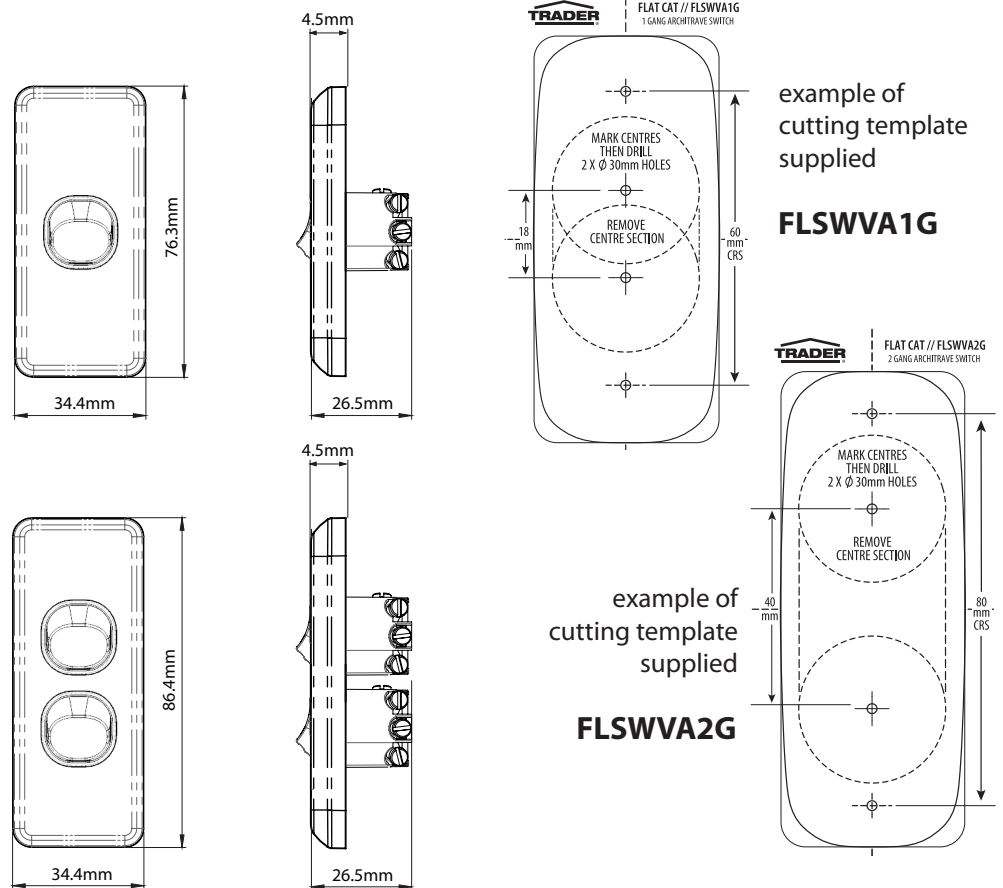
Do not use any cleaning sprays - only wipe down with damp cloth or rub with dry cloth. (Do not use an abrasive cloth as it may scratch the plastic).

Do not use harsh chemical cleaners as these can break down the plastic and cause it to crack.

Do not wash the cover plates in water over 60°C.

# Flat Cat Range of Architrave Switches

- Switches are rated 10AX/16A 250V~
- Uses brass tunnel terminals that have the screws backed out for easier installation of cabling. Switches are two way with looping terminal and suit 4 x 1.5mm<sup>2</sup> cabling with 4.1mm bore
- Slotted head screws for the terminals
- Covers, plates and dollies are made from UV stabilised polycarbonate to avoid discolouring to yellow
- Standard colour is White. Black, Matt White and Matt Black also stocked  
- please check availability
- Approved to AS/NZS3133
- Typical example of size seen below:



Catalogue Number	Description
FLSWVA1G	Switch Vertical Architrave 1 Gang, 10AX/16A 250V~
FLSWVA2G	Switch Vertical Architrave 2 Gang, 10AX/16A 250V~

When ordering BLACK product add "BK" at end of catalogue number, ie FLSWVA1GBK

When ordering MATT WHITE product add "MW" at end of catalogue number, ie FLSWVA1GMW

When ordering MATT BLACK product add "MBK" at end of catalogue number, ie FLSWVA1GMBK

**MEERKAT**  **MEERKAT Switch Mechanisms are used for all switch plates. Please refer to Meerkat Mech Matrix for range compatibility.**

**Certification Number:**  
GMA-508434-EA

**GSM Electrical (Australia) Pty Ltd**  
Level 2, 142-144 Fullarton Road, Rose Park SA 5067  
P: 1300 301 838 E: service@gsm.com.au  
[www.gsm.com.au](http://www.gsm.com.au)



Data Specification Sheet  
February 2023



**FLBRUSH  
FLBRUSHBK  
FLBRUSHMW  
FLBRUSHMBK**

\*See current catalogue for further detail

**Cleaning Guide:**

Spraying cleaning products on to electrical products is not recommended.

It is important to ensure that switches are turned off before cleaning.

Do not use any cleaning sprays - only wipe down with damp cloth or rub with dry cloth. (Do not use an abrasive cloth as it may scratch the plastic).

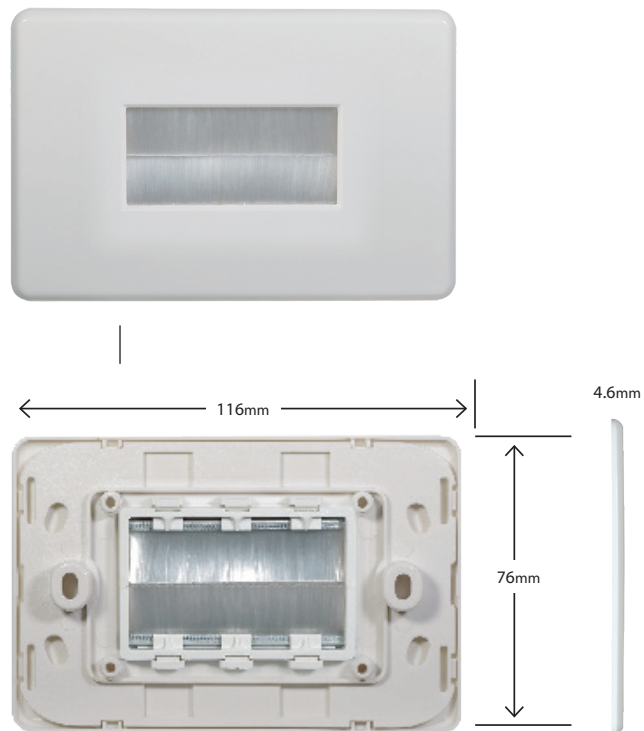
Do not use harsh chemical cleaners as these can break down the plastic and cause it to crack.

Do not wash the cover plates in water over 60°C.



## Flat Cat Brush Cable Management Flush Plate

- Excellent dust sealing solutions for telecommunications and data cabling applications.
- They are ideal for positioning behind wall mounted televisions, home theatre and component systems
- The cabling remains neat and tidy with a minimum visually exposed out of the wall cavity, with the large openings allowing multiple cables to be accommodated at once.
- Standard colour is White. Also available in Matt White, Black & Matt Black - please check availability



Catalogue Number	Description
FLBRUSH	Brush Cable Management Flush Plate
FLBRUSHBK	Brush Cable Management Flush Plate Black
FLBRUSHMW	Brush Cable Management Flush Plate Matt White
FLBRUSHMBK	Brush Cable Management Flush Plate Matt Black

**Certification Number:** TBC

**GSM Electrical (Australia) Pty Ltd**

Level 2, 142-144 Fullarton Road, Rose Park SA 5067

P: 1300 301 838 F: 1300 301 778 E: service@g sme.com.au

[www.g sme.com.au](http://www.g sme.com.au)



Data Specification Sheet  
January 2023