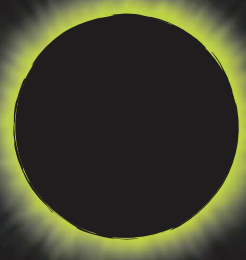


TRADER Universal

New to
TRADER

Dimmer

*Dimpala™
Eclipse*



Order Code
DIMR

Optimised for LED
Loads

**'Look for the
Eye Catching
Counter Display'**



TRADER™

100 Years of Family Electrical Tradition

Performs well with all the
major downlights in the
Australian market



Available Now through your Electrical Wholesaler



Dimpala[™] Eclipse



Dimpala Eclipse provides optimised dimming of LED lamps and drivers. This two-wire phase control [wall plate] dimmer has a minimum load rating of 2W.

Although optimised for LED lighting loads, this dimmer also provides excellent compatibility with other common lamp types such as incandescent lamps and 12V halogen (dichroic) lamps / transformers.

Fits Australian wall switch plate apertures (For example, the Trader range, plus *HPM and †Clipsal ranges)

Minimum brightness typical 0%

Complies with all relevant Australian standards.

Separately switched 2-wire design - no neutral wire connection required for wallplate retrofit installation

"Soft-start" helps prolong lamp and driver life

Features 'On' LED indicator

Rotary control with mechanical adjustment for minimum brightness level

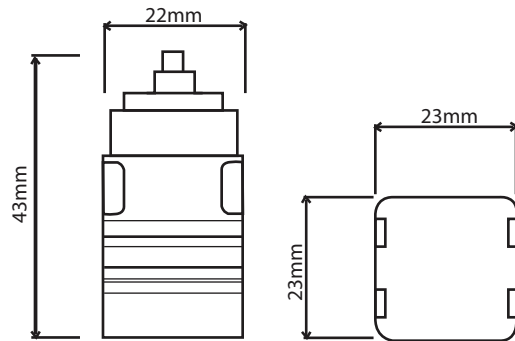
Inherent immunity to installation wiring short circuit fault.



100 Years of Family Electrical Tradition



Order Code
DIMR



*HPM is a registered trademark of Legrand Aust. Pty. Ltd.

†Clipsal is a registered trademark of Schneider Electric (Australia) Pty. Ltd.

New to
TRADER[™]