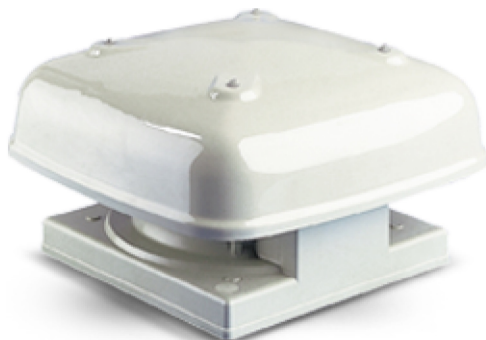


## Alpha Supply Series – MV132S

Location

Project



Designation

Notes

### Features

The Alpha Axial Supply Air Roof Units, being fully tested, ensure design engineers are able to select fans for supply air applications with confidence.

#### Construction

Cowls are of UV-stabilised plastic.  
Steel components have a corrosion-resistant finish.  
Bird mesh guards are fitted as standard.  
Shutters cannot be fitted.

#### Motors

Type:-  
MV units - external rotor motor.  
Others - standard squirrel cage motors.  
Electricity supply - 220-240V, single or 415V, three-phase, 50Hz.  
Bearings - sealed-for-life, ball.  
Speed-controllable using electronic or auto-transformer controllers.

#### Internal Thermal Protection

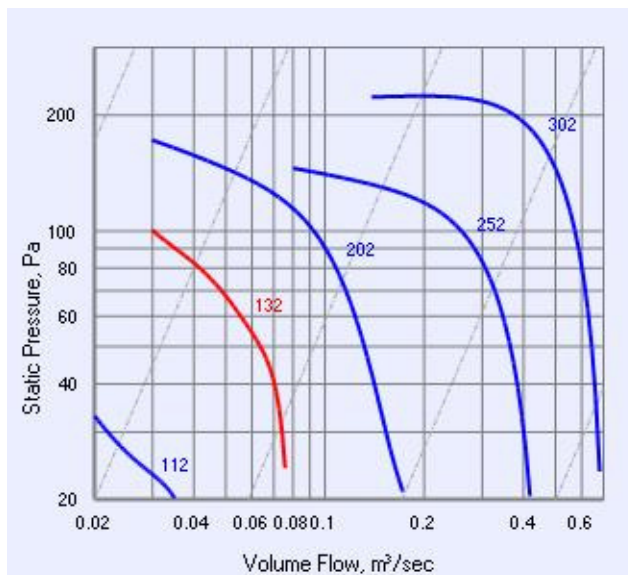
Auto-reset protection is supplied as standard on MV units.  
Manual-reset protection is standard on all others.

#### Testing

Air flow tests to BS848:Part 1, 1980.  
Noise tests to BS848:Part 2, 1985.

#### Special Features

Can be mounted at angles up to 30°.



### Technical Data - MV132S

Speed [rps]	Avg. dBA @ 3m	kWatts (Input)	Amps	Max.° C	Approx. Weight [kg]
47	43	0.046	0.3	80	1.9

### Sound Data

Type	63	125	250	500	1K	2K	4K	8K
Inlet	51	51	59	55	57	58	56	

## Alpha Supply Series – MV132S

### Suggested Specification

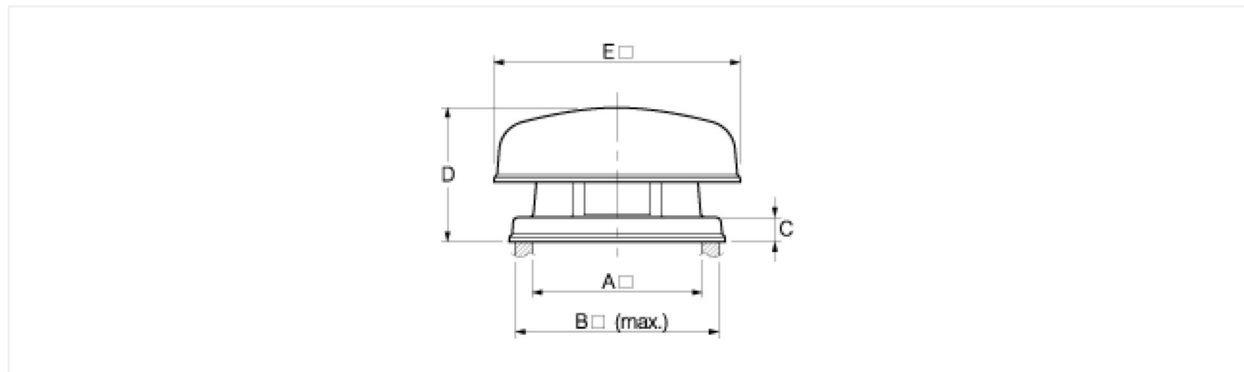
The Alpha Series of axial supply air units shall be as designed and manufactured by Fantech Pty. Ltd.

They shall be driven by speed-controllable motors with integral thermal protection.

Cowls shall be of a plastic and/or fibreglass. Steel components shall be corrosion-protected.

All models shall be fully tested to BS848:Part 1, 1980 for air flow and BS848:Part 2, 1985 for noise.

### Dimensions



A	B	C	D	E
210	260	30	200	310

All dimensions in mm, unless otherwise stated

### Contacts



#### OFFICES & AGENTS

##### Victoria

**Fantech Pty. Ltd.**  
Tel:+61 (03) 9554-7845

##### New South Wales

**Fantech Pty. Ltd.**  
Tel:+61 (02) 8811-0400

##### Uniair Distributors Pty. Ltd.

Tel:+61 (02) 4961-6088  
**Refrigeration and Air Supplies**  
Tel:+61 (02) 4226-5133  
**Fantech Pty. Ltd.**  
Tel:+61 (02) 6025-1866

##### South Australia

**Fantech Pty. Ltd.**  
Tel:+61 (08) 8294-0530

##### Queensland

**Air Design Pty. Ltd.**  
Tel:+61 (07) 3299-9888  
**Capricorn Air Conditioning**  
Tel:+61 (07) 4775-5222

##### Northern Territory

**Fantech Pty. Ltd.**  
Tel:+61 (08) 8947-0447

##### Western Australia

**Systemaire Pty. Ltd.**  
Tel:+61 (08) 9209-4999

##### Tasmania

**Major Air Pty. Ltd.**  
Tel:+61 (03) 6344-6888  
**Hobart**  
Tel:+61 (03) 62736455

##### ACT

**Idealair Group Pty. Ltd.**  
Tel:+61 (02) 6280-5511

##### Auckland

**Fantech (NZ) Ltd.**  
Tel:+64 (09) 444-6266

##### Christchurch

**Fantech (NZ) Ltd.**  
Tel:+64 (03) 379-8622

##### Wellington

**Fantech (NZ) Ltd.**  
Tel:+64 (04) 566-0532