

# STYLVENT SERIES



A

## FEATURES

The Stylvent Series can be wall or window mounted and is suitable for applications ranging from conference rooms, living rooms, restaurants, swimming pools to shower rooms etc. in homes and offices.

Models for exhaust or supply applications available.

## Construction

All units have weather and impact resistant housings with integral shutters.

## Motors

Type:- 150, shaded pole induction motor  
230 and 300, external rotor motor

Electricity supply:- 220-240V, single-phase, 50Hz.

Bearings:- 150 - sleeve; 230 and 300 - sealed-for-life ball

Max. amb. temp.:- 150 - 45°C; 230 and 300 - 50°C

Motor protection:- 150 - open; 230 and 300 - IP44

See pages N-3/4 for details on the shaded pole motors and pages N-2/3 for details on external rotor motors.

## Internal Thermal Protection

150 - internal fuse; 230 and 300 - auto-reset type.

## Special Features

### 'AE' Range

Can be wired for exhaust or supply air.

For dual use, a reversing switch is available for sizes 230 and 300 only.

## Wall Mounting

A kit of threaded rods and sleeves is available as an extra to mount the Stylvent fans onto walls ranging from 25 to 300mm thick.

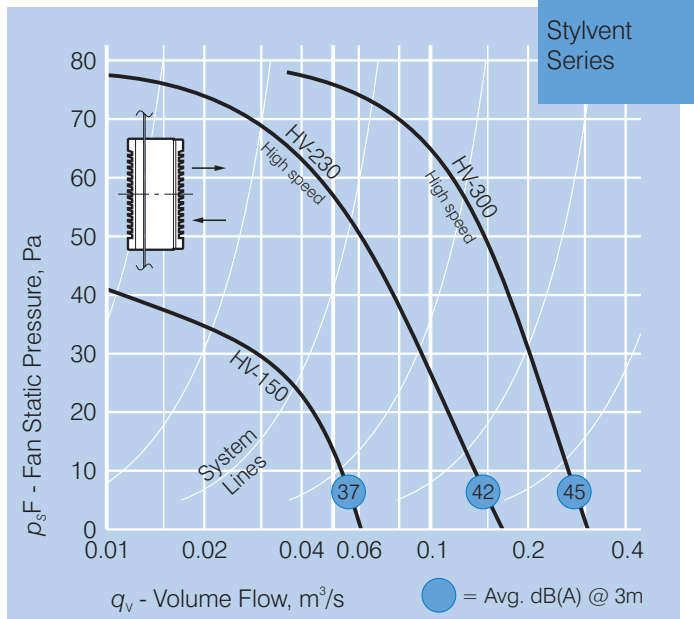
## Wiring Diagram

See page M-8, diagram ER 6, 8.

## SUGGESTED SPECIFICATION

The Stylvent Series of wall/window fans shall be as supplied by Fantech Pty. Ltd. and be of the model numbers shown.

Stylvent Series



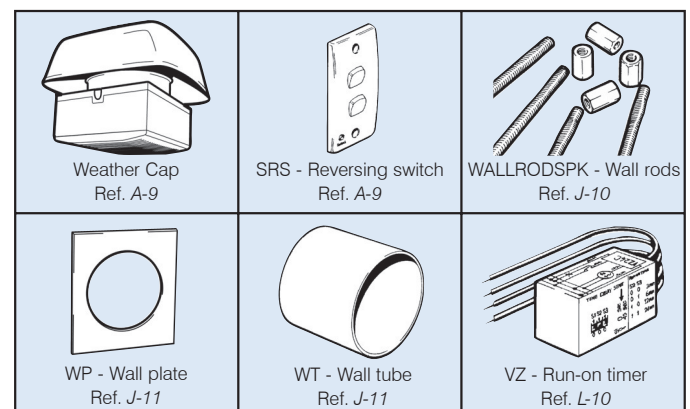
The above graph shows exhaust flow rates only.

The approximate flow rate in supply mode is 50% of high-speed exhaust rate.

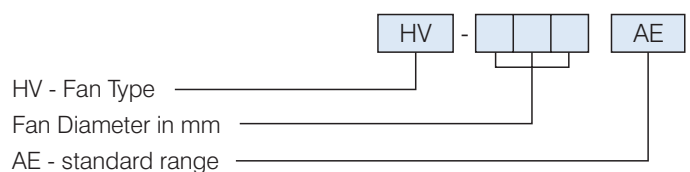
## TECHNICAL DATA

Model Number	Fan Dia. mm	Nom. Speed r/s	Avg. dB(A) @ 3m	Free Air m³/sec Exh. Sup.	HV. 1 ph. Watts	1 ph. Amps	App. wt. kg.
<b>'AE' Range* - switch operated</b>							
HV-150..	150	30	37	0.06 n/a	32	0.19	2.0
HV-230..	230	21	42	0.17 0.09	34	0.15	3.5
HV-300..	300	19	45	0.31 0.2	68	0.30	5.1

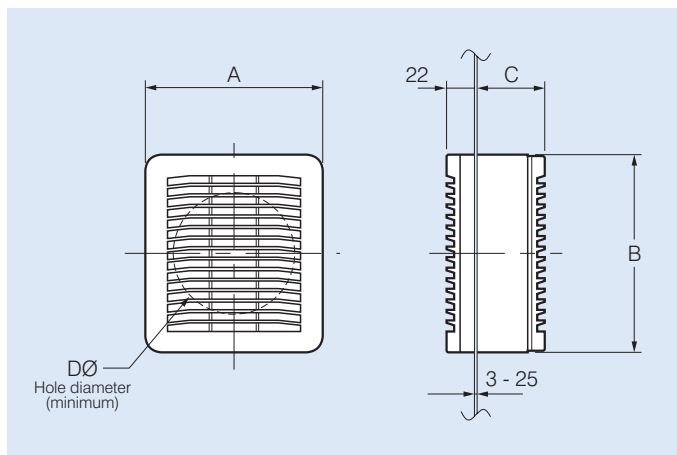
## ANCILLARY EQUIPMENT



## HOW TO ORDER



## DIMENSIONS



Model Number	Dimensions, mm			
	A	B	C	DØ
HV-150..	230	251	109	185
HV-230..	300	325	142	259
HV-300..	368	403	150	327

## SRS - REVERSING SWITCH



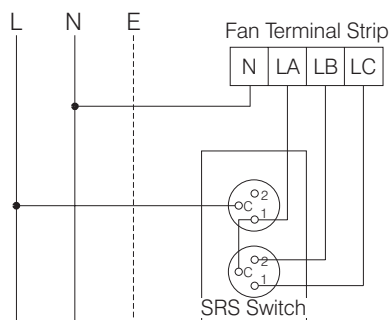
### FEATURES

The SRS Reversing Switch enables the HV-230AE and HV-300AE Stylvent fans to operate in both supply and exhaust modes.

The SRS Reversing Switch is recess mounted, has an enclosure rating of IP30 and has a 70W × 114H switch plate.

A recess depth of 25mm is required for mounting.

### WIRING DIAGRAM



Note:-  
 1. Remove link at fan terminal strip  
 2. Fan is double insulated - no earth required.

## WEATHER CAP



### FEATURES

Optional external weather cap to suit Stylvent fans for exposed wall mounted locations, provides additional protection against high wind and rain.

Also suitable for roof mounting on skylights and atriums.

Features include:

- low profile design
- available as a separate component
- fan is removable without disturbing Weather Cap
- reduction of wind noise
- bird mesh fitted as standard

**HV-150CAP** - suits HV-150AE fan

**HV-230CAP** - suits HV-230AE fan

**HV-300CAP** - suits HV-300AE fan

### HOW TO ORDER

