



Wall Mounted Switch

AIR CURTAINS

SINGLE PHASE



Designed to maximise the efficiency of a building by creating an invisible door of air that helps to retain a room's heating and cooling. It also prevents dust, fumes, odours and flying insects from entering a building.

- Can reduce a building's running costs.
- Adjustable air deflection vents.
- High/Low 2-speed operation caters for peak and off-peak traffic requirements.
- Double-insulated motors with built-in thermal overload protection.
- 220-240V, single-phase, 50Hz.
- Wall mounted switch included.
- Can be integrated into a Building Management System.

AIR VELOCITY & DOOR HEIGHT

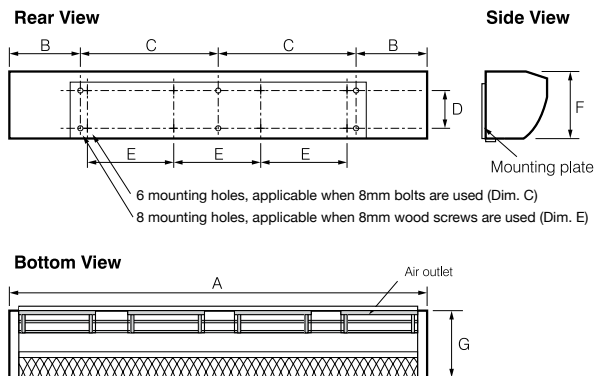
Effective door height:

- High speed - up to 4.0m
- Low speed - up to 3.0m

High Speed: Suitable for medium to large doorways and entrances; ie. supermarkets and shopping centres.

Low Speed: Suitable for standard doorways; ie. shops, cafes and small food preparation areas.

Air Outlet	Low Speed m/s	High Speed m/s
13.5	17	
1 metre	5	7
2 metre	2.7	4.5
3 metre	1.4	3.6
4 metre	1.3	2.9
5 metre	0.9	2.2



MODEL NO.	A	B	C	D	E	F	G
HAC1209WS	900	51	400	113	250	222	212
HAC1212WS	1200	201	400	113	250	222	212
HAC1215WS	1500	351	400	113	250	222	212

All dimensions in mm

MODEL NO.	VOLTAGE/HZ	SPEED	CURRENT A	EFFECTIVE DOOR HEIGHT M	VEL M/SEC	FAN SPEED, RPM	AVG. dB(A) @ 3M	WATTS
HAC1209WS	240/50	High	0.8	4.0	17	2100	61	200
		Low	0.75	3.0	13.5	1610	58	185
HAC1212WS	240/50	High	1.0	4.0	17	2100	61	240
		Low	0.95	3.0	13.5	1610	58	220
HAC1215WS	240/50	High	1.3	4.0	17	2100	61	320
		Low	1.25	3.0	13.5	1610	58	300

Please note that these Air Curtains are recommended for dry, clean air environments only. For industrial applications or technical data contact your local Fantech Trade Branch.