

PRODUCT DETAILS

EzyStrut mild steel framing components are manufactured from merchant bar to AS/NZS 3679.1 and galvanised to AS/NZS 4680, ISO1461.

Most components can also be manufactured in stainless steel from bar to AS1449, AS2837

Material Specification (unless noted)

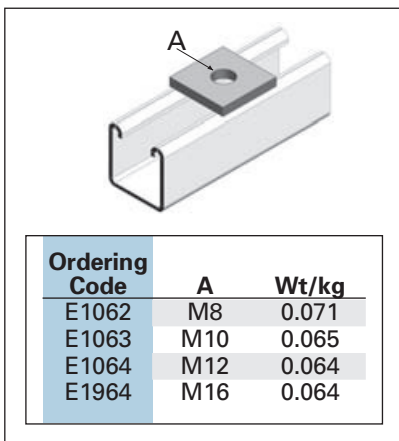
Width	40mm
Thickness	6mm
Hole Diameter	14mm
Hole spacing	20.5mm from end, 47.5mm on centres

ORDERING DETAILS

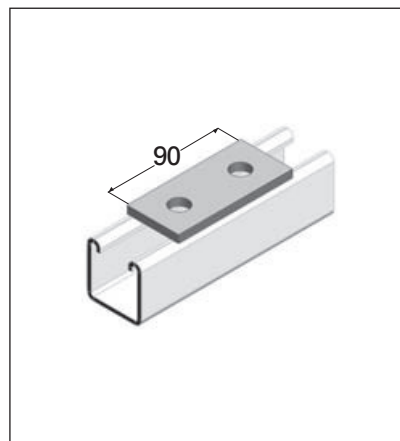
Sold Individually

Available finish:

- H** – Hot dip galvanised
- S** – Stainless Steel

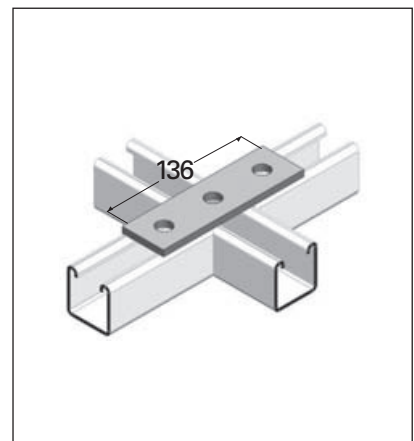


E1062 to E1964



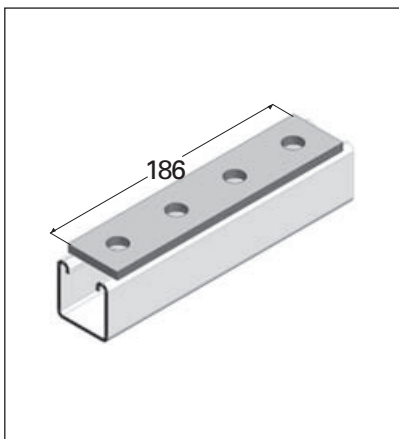
E1065

Wt: 0.14 kg



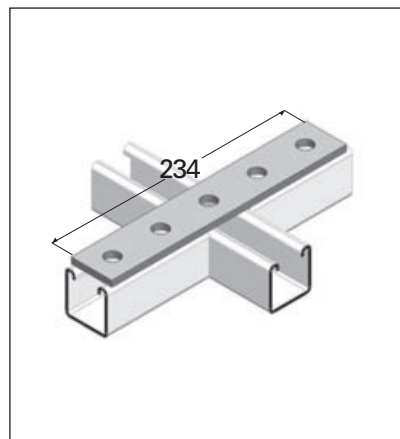
E1066

Wt: 0.22 kg



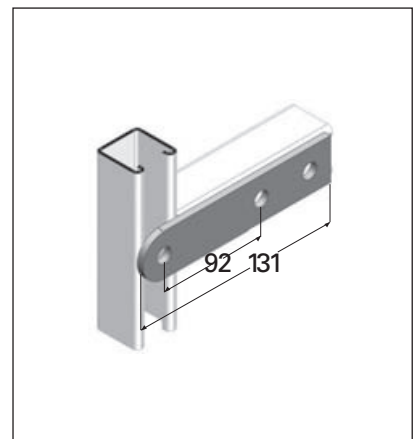
E1067

Wt: 0.30 kg



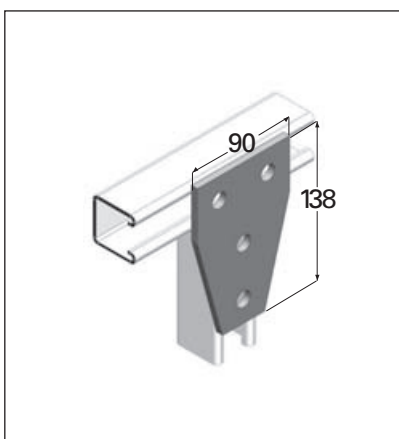
E1941

Wt: 0.41 kg



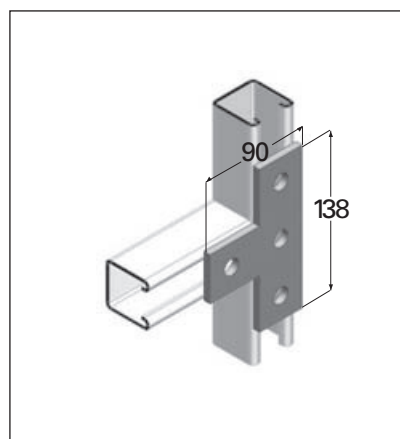
E2324

Wt: 0.22 kg



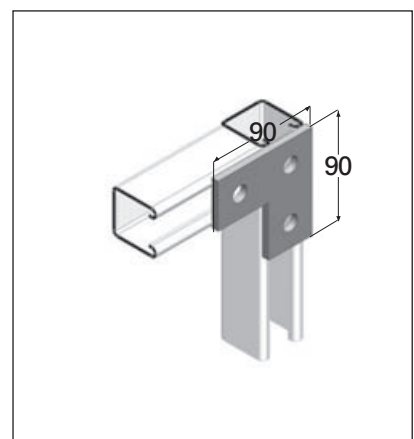
E1358

Wt: 0.44 kg



E1031

Wt: 0.20 kg



E1036

Wt: 0.11 kg