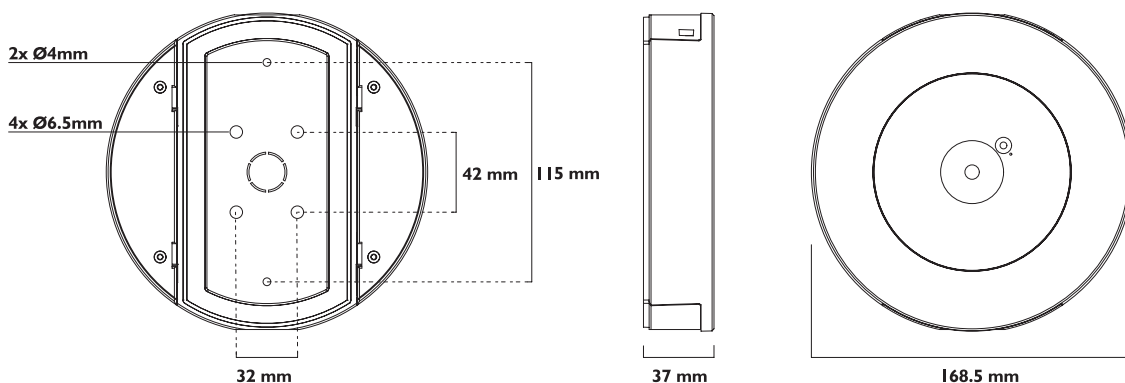


ORDERING INFORMATION

| SKU | PRODUCT CODE | DESCRIPTION | PRODUCT NUMBER | CARTON QTY |
|-------|-----------------------|---|----------------|------------|
| I8193 | EV-LEDFIRE-SM-BASIC | Ledfire Basic Surface Mounted Emergency Luminaire D32 | 9336462I81935 | 8 |
| I4510 | EV-LEDFIRE-SM-BASIC-B | Ledfire Basic Surface Mounted Emergency Luminaire D32 Black | 9336462I45104 | 8 |

OPERATIONAL INFORMATION

| GENERAL | | | | BATTERY | |
|--------------------|------------|--------------------------|---------------------|-----------------|--------------|
| Voltage | 220-240Vac | Emergency classification | D32 | Battery type | LiFePO4 |
| Frequency | 50Hz | Mounting type | Surface / Rod mount | Battery voltage | 3.2V 1500mAh |
| Max. ambient temp. | 40°C | Wiring | Hardwired | Battery code(s) | 01307 |
| Class | 2 | Lamp power | 1.4W (D32) | Charger type | Variable |
| Duration | 120min | Avg. power consumption | 0.35W | Charging time | 16 Hours |
| IP Rating | IP20 | Max. power consumption | 2W | | |

CONSTRUCTION AND DIMENSIONS
BODY (FINISH) PC


NOTE: For more information on the chemical resistance of our polycarbonate, please see the technical downloads page at ektor.com.au

ACCESSORIES LIST

| SKU | ORDER CODE | DESCRIPTION |
|-------|------------------------------|------------------------------------|
| 01307 | EV-1500mAh-3.2V-LiFePO4-Loom | Battery 1500mAh 3.2V |
| 01990 | EV-RODMOUNT-WHT | Rod Mount Brackets. Rod size Ø25mm |
| 02004 | EV-RODMOUNT-BLK | Rod Mount Brackets. Rod size Ø25mm |

SPACING TABLE (DISTANCE BETWEEN FITTINGS)

| Lx | CLASSIFICATION | MOUNTING HEIGHT (M) | | | | | | | | | | | | | | | |
|-----|----------------|---------------------|------|------|------|------|------|------|------|------|------|------|------|------|------|------|----|
| | | 2.1 | 2.4 | 2.7 | 3 | 3.3 | 3.6 | 4 | 4.5 | 5 | 6 | 7 | 8 | 9 | 10 | 15 | 20 |
| 0.2 | D32 | 15.4 | 16.1 | 16.7 | 17.2 | 17.6 | 18.0 | 18.5 | 19.1 | 19.5 | 20.2 | 20.6 | 20.7 | 20.6 | 20.3 | 14.6 | |

Datasheet is subject to change without notice

Last updated: 29.March 2019_V1.2



Please view our website for **full datasheet**