

PROTECTOR SERIES Flush Floor Box – Recessed Stainless Steel**At a glance...**

- Capacity: 4 x single auto switched power outlets and 6 x data mounts.
- Box Size: 240 x 240 x 70mm Deep
- Features: **Cable Shield™** Frame
- Lid Material: Stainless 304 – No. 4 Linished
- Recess: 6mm Deep
- Suitable for: Cat6A & 7A Cabling

“Easy as ECD”

- Recessed “Protector” Series Stainless Steel Lid and Frame with 6mm rebate for floor finish (typically carpet or vinyl).
- ‘Protector’ Series features
 - **Cable Shield™** Frame assembly to prevent cables being cut (Patent Pending)
 - Soft close lid to stop lid from slamming shut
 - Cable retainer for easy cable management.
- Robust and large capacity cable exit flap with retracing lifting handle.
- Capacity for 4 x single auto switched power outlets and 6 x data mounts.
- Suitable for category 6A and 7A data cabling with generous bend radius capacity.
- Suitable for Audio / Video outlets including VGA, HDMI, USB, etc.
- 304 Grade Solid Stainless Steel with No. 4 linished finish.
- Modular box body and lid design, interchangeable with plastic and other lids in the ECD floor box range.
- Supplied with temporary construction lid.
- Option to fit cam lock if required.

**ECD**

ESTABLISHED 1979

Electric Cable Duct Systems P/L

Phone: 1300 123 ECD (323)

Fax: 1300 372 825

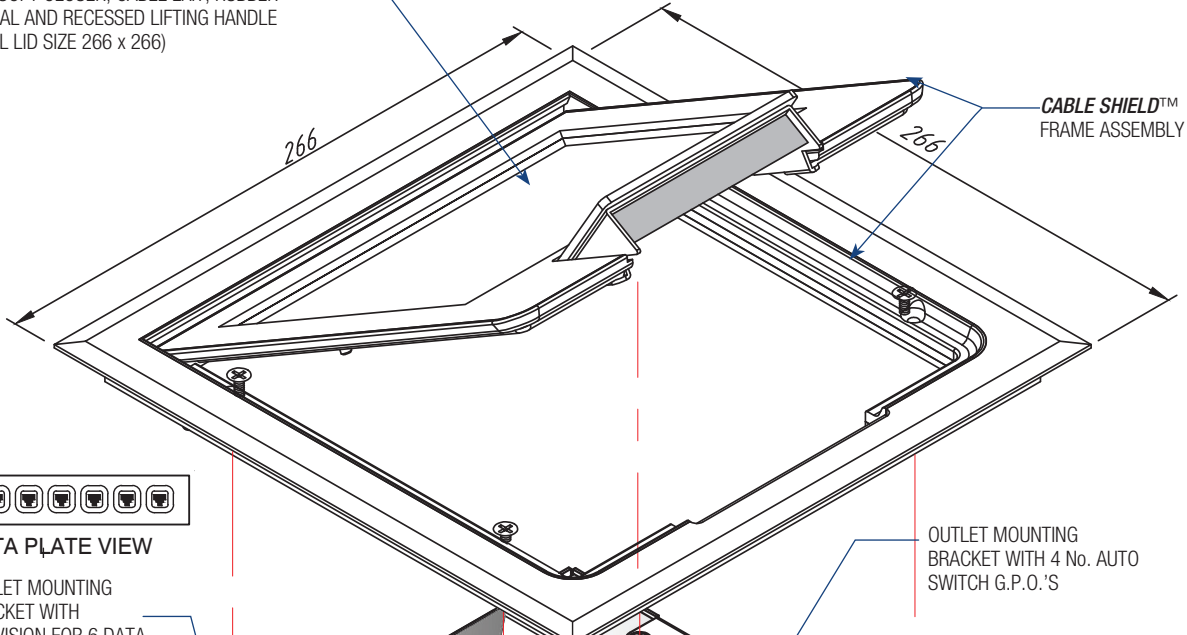
Email: info@ecd.net.auwebsite: www.ecd.net.au

ABN 80005544105

ASSEMBLY DIAGRAM

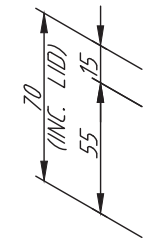
PROTECTOR SERIES FLUSH FLOOR BOX – RECESSED STAINLESS STEEL – FB4SR70

FB4SR STAINLESS STEEL RECESSED LID AND FRAME ASSEMBLY WITH **CABLE SHIELD™** FRAME, SOFT CLOSER, CABLE EXIT, RUBBER DUST SEAL AND RECESSED LIFTING HANDLE (OVERALL LID SIZE 266 x 266)



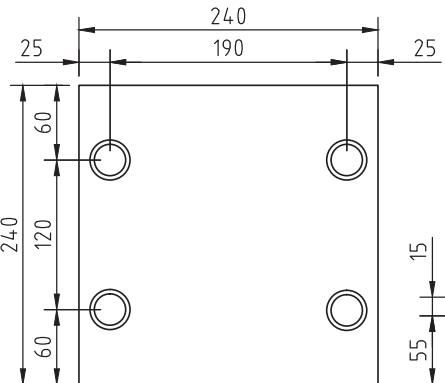
DATA PLATE VIEW

OUTLET MOUNTING BRACKET WITH PROVISION FOR 6 DATA



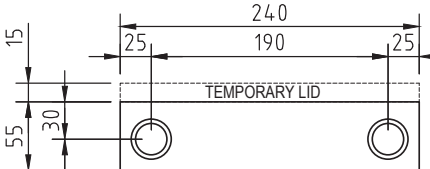
STEEL BOX BODY
(240 x 240 x 70mm DEEP)
12 No. 25ø/32ø COMBINATION CONDUIT KNOCKOUTS

OPTIONAL TIMBER FLOOR FIXING BRACKETS PART No. FBTFB

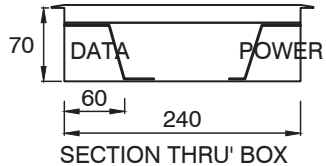


CONDUIT LOCATION BOX BASE

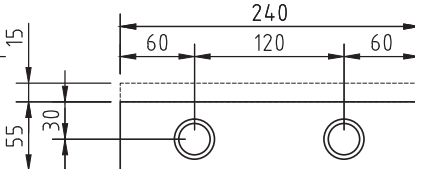
NOMINAL RECESS SIZE
250 x 250 x 80 DEEP FOR TIMBER FLOOR OR
300 x 300 x 80 FOAM BLOCKOUT FOR CONCRETE



CONDUIT LOCATION HINGE & EXIT SIDES



SECTION THRU' BOX



CONDUIT LOCATION OUTLET SIDES