

# SafeSite® LED Floodlight - IECEx/ATEX - CE



## Technical Specifications



### Ratings and Certifications

- 10 year warranty
- CE / ENEC / RCM
- IP66
- IECEx / ATEX Zone 1, 21
- RoHS compliant
- IECEx / ATEX Zone 2, 22
- L70 >150,000 hours @ 25°C ambient

\*All features not available on every model. Please refer to product part number pages for model specifics.

### Specifications

<b>Voltage options:</b>	100-277 VAC 16,000lm models	<b>Housing:</b>	Copper-free aluminum
	110-277 VAC 23,000lm models		<b>Lens:</b>
<b>Operating temp:</b>	-40°C to +65°C	<b>Finish:</b>	Superior dual coat finish - Sealed polyester topcoat - Chemical-resistant epoxy primer
<b>Power factor:</b>	>0.9	<b>CRI:</b>	75 typical
<b>THD:</b>	<20%	<b>CCT:</b>	5000K (cool white)
<b>Surge protection:</b>	Protection devices capable of handling up to 6kV. Tested for 6kV/2 ohm combination wave, as per IEEE C62.41, line-line and line-ground		4000K (neutral white)
			2700K (warm white)

### Mechanical Information

<b>Fixture weight:</b>	15.4 kg (34 lb)
<b>Mounting:</b>	316 stainless steel mounting bracket (included)
<b>Cable Entries:</b>	(2) M25 x 1.5mm
<b>Terminals:</b>	Factory fitted junction terminal box

### Comparison

	Warranty	L70	T-Rating
Dialight LED Floodlight	10yr	>150,000	T4
Metal Halide	1	15,000	T2
High Pressure Sodium	1	20,000	T2A

### Lumens

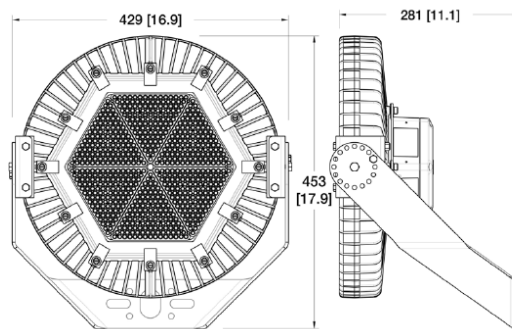
### Wattage

### lm/W

### Mounting Heights

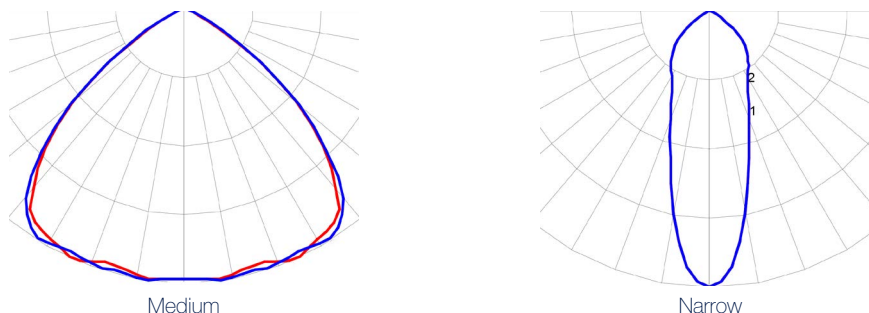
22,000	212	104	12m
15,000	144	104	5m

### Dimensions



Dimension in mm (inches)

### Beam Distribution



When ordering please refer our website [www.dialight.com](http://www.dialight.com) to view the current versions of all relevant product documentation, including the most up-to-date product data sheets. For the avoidance of doubt, in the event of any discrepancy between the contents of this document and information provided on our website, the information provided on our website shall prevail.

# SafeSite® LED Floodlight - IECEx/ATEX - CE

## Australia & Asia Order Codes

Current Part Number	Historic Part Number	Fixture Lumens	Wattage	lm/W	Voltage	Colour Temperature (CCT)	Lens	Beam Distribution
<b>Standard Models</b>								
FLA9MN4KN-KNG	FLA9MC4KN-JNG	15,000	144	104	100-277 VAC	4000K (neutral white)	Tempered glass	Medium
FLA9NN4KN-KNG	FLA9MC4KN-JNG	15,000	144	104	100-277 VAC	4000K (neutral white)	Tempered glass	Narrow
FLA9MN4PN-KNG	FLA9MC4PN-JNG	22,000	212	104	100-277 VAC	4000K (neutral white)	Tempered glass	Medium
FLA9NN4PN-KNG	FLA9MC4PN-JNG	22,000	212	104	100-277 VAC	4000K (neutral white)	Tempered glass	Narrow
<b>Hydrogen Models</b>								
FLH9MN4KN-KNG	FLH9MC4KN-JNG	15,000	144	104	100-277 VAC	4000K (neutral white)	Tempered glass	Medium
FLH9NN4KN-KNG	FLH9MC4KN-JNG	15,000	144	104 <td>100-277 VAC</td> <td>4000K (neutral white)</td> <td>Tempered glass</td> <td>Narrow</td>	100-277 VAC	4000K (neutral white)	Tempered glass	Narrow
FLH9MN4PN-KNG	FLH9MC4PN-JNG	22,000	212	104	100-277 VAC	4000K (neutral white)	Tempered glass	Medium
FLH9NN4PN-KNG	FLH9MC4PN-JNG	22,000	212	104	100-277 VAC	4000K (neutral white)	Tempered glass	Narrow

All values typical unless otherwise stated (tolerance +/- 10%).

Part numbers listed in **bold** are typically available in stock.

Part numbers listed in the table above are neutral white. For cool white models, replace the 6th character with a **C**.



### HBXW3-SSL-316FT

- 316 stainless steel forward throw bracket



### HZXCBL2

- Stainless steel safety cable kit



### HBXSBDK

- Sand blast kit (dome lens)

### HBXSBDL

- Sacrificial dome lens

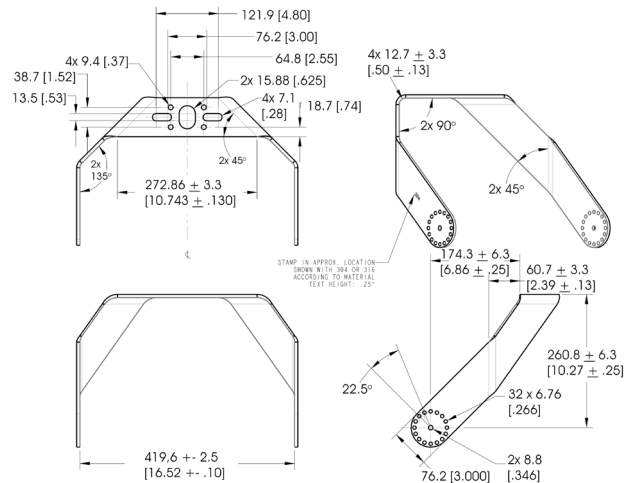


### HBXSBL

- Sand blast kit (flat lens)

### HBXSBL

- Sacrificial flat lens



Dimension in mm (inches)

When ordering please refer our website [www.dialight.com](http://www.dialight.com) to view the current versions of all relevant product documentation, including the most up-to-date product data sheets. For the avoidance of doubt, in the event of any discrepancy between the contents of this document and information provided on our website, the information provided on our website shall prevail.