

# FLORYN FLE

Exterior Lighting / Flood Light

FLORYN FLE-FLE200W5K



## Features

- High performance range
- Stylish slim profile body
- Durable die-cast aluminium body
- High-quality powder coating for corrosion protection
- IP65 and IK06 rated
- Instant turn ON
- Maintenance free
- Adjustable mounting bracket

## Applications

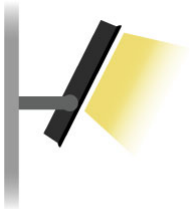
- Plazas, courtyards & building exteriors
- Factories & warehouses
- Gardens & parks
- Sports & community centers

## Standards

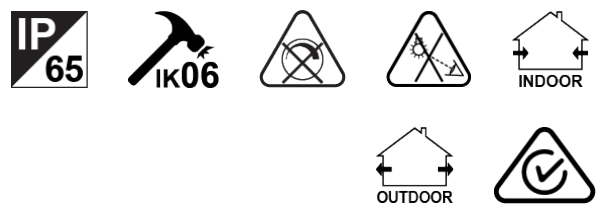
- Manufactured under ISO 9001:2015 to standards
- IEC/AS/NZS 60598.1
- IEC/AS/NZS 60598.2.5
- IEC/AS/NZS CISPR 15



## Mounting Methods



Trunnion



# FLORYN FLE

Exterior Lighting / Flood Light



## Specifications

| Model                  | FLE200W5K  |
|------------------------|------------|
| Nominal Power (W)      | 200        |
| Input Voltage (V)      | 220 - 240  |
| Frequency (Hz)         | 50 / 60    |
| Luminous Flux (lm)     | 22415      |
| Efficacy (lm/W)        | 118        |
| CRI (Ra)               | >80        |
| Power Factor           | >0.95      |
| SDCM                   | 5          |
| CCT (K)                | 5000       |
| Beam Angle (°)         | 110        |
| Surge Protection (Kv)  | 4          |
| Rated Life L70B50 (hr) | 50000      |
| Operating Temp. (°C)   | -20 to +45 |
| Weight (kg)            | 3.24       |

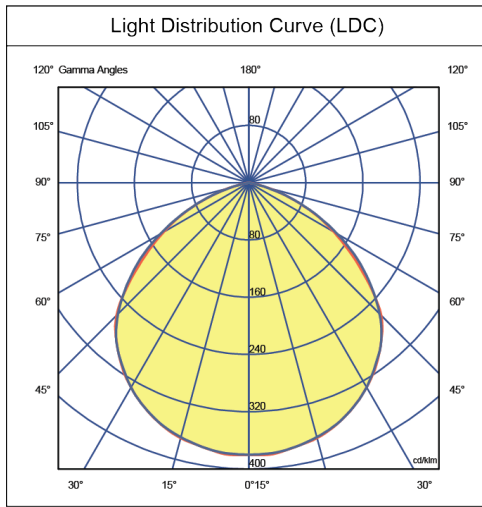
## Packaging Details

| Model                           | FLE200W5K       |
|---------------------------------|-----------------|
| Product Carton Qty per box (pc) | 1               |
| Product Carton Dimension (mm)   | 430 x 320 x 55  |
| Master Carton Qty per box (pc)  | 4               |
| Master Carton Dimension (mm)    | 330 x 230 x 440 |
| Master Carton Weight (kg)       | 14.5            |

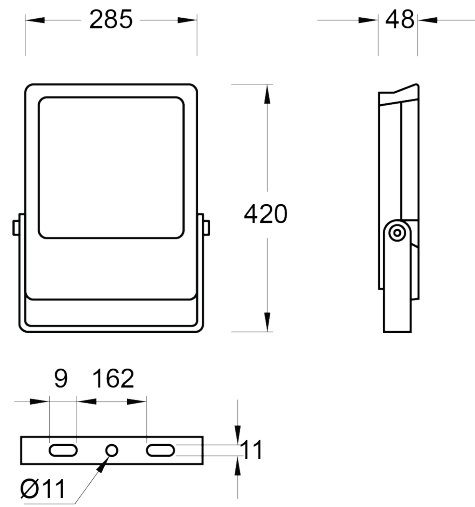
# FLORYN FLE

Exterior Lighting / Flood Light

## Lighting Data



## Dimensions



davislighting.com



davislighting.com.au

All photometric and electrical data published are of  $\pm 10\%$  tolerance. Characteristics and specifications may change without notice. All electrical installations / connections should be carried out by a suitably qualified person. Application images are indicative only and may not contain actual Davis product. The information contained in this publication is typical and must not be interpreted as a guarantee of individual product performance.