

COBALTSOLAR
ENERGY



service@cobaltsolar.com.au

1300 273 111

www.cobaltsolar.com.au

Cable Glands & Conduit Fittings



Fire Rated



EPDM Seals



Water Proof



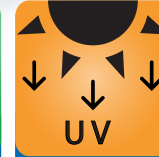
-40 ~ 100°C Temp Range



Thread Lock



Designed for PV

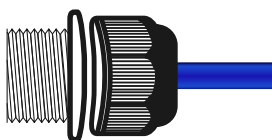
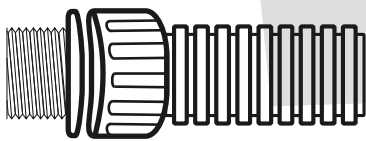
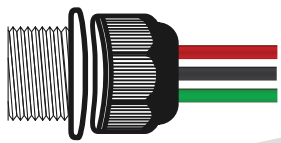
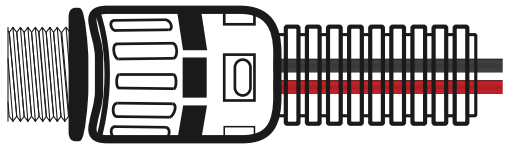
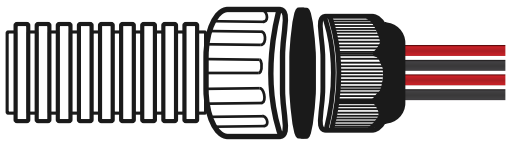


UV Stabilized



Time Saving

Our Range of Innovative Glands and Fittings

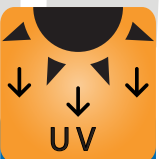


Designed for PV

Designed by Cobalt Solar specifically for PV Installers to assist with install ease and quantity, our range of high quality solutions for conduit and cable sealing



Fire Rated



UV Stabilized

High quality flame retardant Nylon engineered specifically for outdoor solar applications, providing a high degree of protection against the harsh Aussie sun



EPDM Seals



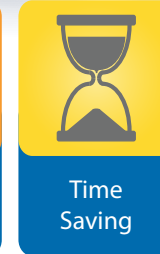
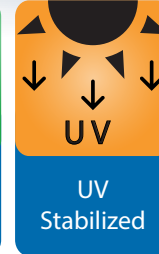
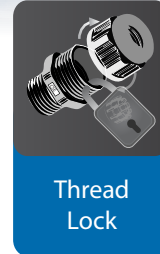
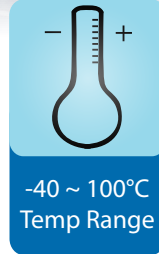
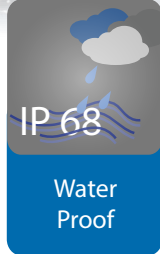
Water Proof

EPDM used for all seals rather than silicon provides increased protection against UV & Oxidation

IP68 Seal suitable for situations where top entry into enclosures is required

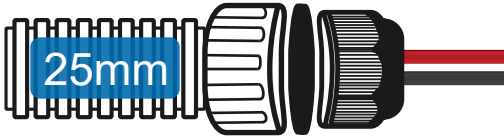
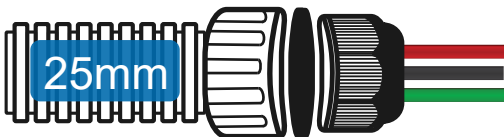







Cable Glands & Conduit Fittings



End of Conduit Glands

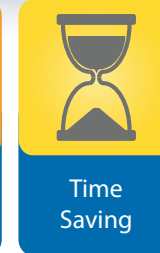
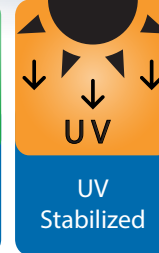
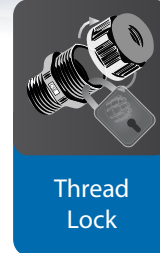
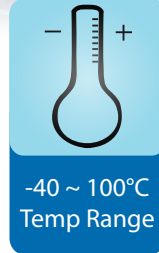
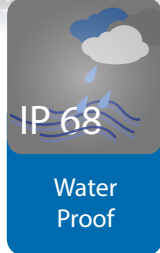
Designed by Cobalt Solar to fit directly to the end of corrugated conduit with no need for any glue or adaptors. Without the join between Multi Hole Gland and adaptor, the End of Conduit multi hole gland has far higher protection against moisture ingress. Combined with our Innovative Roof Penetrations and our range of Glue-less Conduit Fittings there is no longer a need to take glue up the ladder on most jobs.

	Cable Range	Part Number
	L 2x 5 ~ 7 mm	CSE-ECG25-H2-07
	S 2x 3.5 ~ 5.5 mm	CSE-ECG25-H2-5.5
	L 3x 5 ~ 7 mm	CSE-ECG25-H3-07
	S 3x 3.5 ~ 5.5 mm	CSE-ECG25-H3-5.5
	L 4x 5 ~ 7 mm	CSE-ECG25-H4-07
	S 4x 3 ~ 5 mm	CSE-ECG25-H4-05
	M 5x 4.5 ~ 6 mm	CSE-ECG25-H5-06
	S 5x 3.5 ~ 5 mm	CSE-ECG25-H5-05
	S 9 ~ 12 mm + 3 ~ 4mm	CSE-ECG25-H2-4.8-11
	L 10 ~ 12.5 mm + 3.5 ~ 4.8mm	CSE-ECG25-H2-4.8-12.5
	L 1x 12 ~ 16 mm	CSE-ECG25-H1-16
	S 10 ~ 13 mm	CSE-ECG25-H1-13
	L TPS or Flat 2C&E 2.5 ~ 6mm ^{2*}	CSE-ECG25-0614

* Dust seal only on TPS, cable range guide only

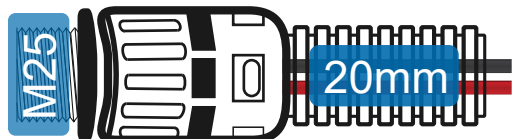
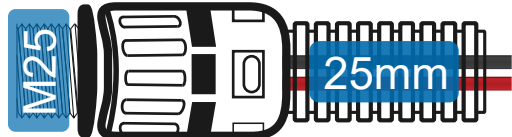
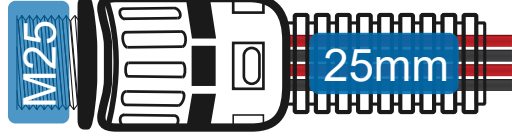

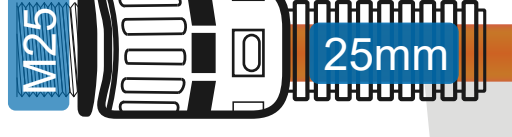




Cable Glands & Conduit Fittings



Conduit Head Glands

Designed by Cobalt Solar to provide an IP68 seal around cables with the added benefit of being able to fix corrugated conduit over the cables and lock it into place on the gland head with no need for any glue or adaptors, providing permanent tidy mechanical protection. This allows for multiple cables in the one entry with an open-ended conduit. Very useful for AC and DC cables at the Inverter isolators.

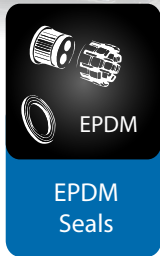
	Cable Range	Part Number
	M 2x 4 ~ 6 mm	CSE-CHG2520-H2-06
	L 2x 5 ~ 7 mm	CSE-CHG25-H2-07
	S 2x 3.5 ~ 5.5 mm	CSE-CHG25-H2-5.5
	L 4x 5 ~ 7 mm	CSE-CHG25-H4-07
	S 4x 3 ~ 5 mm	CSE-CHG25-H4-05
	S 1x 6 ~ 11 mm	CSE-CHG2520-H1-10
	L 1x 12 ~ 16 mm	CSE-CHG25-H1-16
	L TPS or Flat 2C&E 2.5 ~ 6mm *	CSE-CHG25-0614
	? ~ Request	Custom Models

* Dust seal only on TPS, cable range guide only

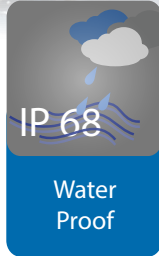
Cable Glands & Conduit Fittings



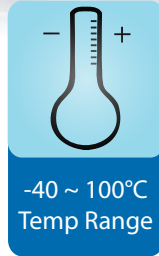
Fire Rated



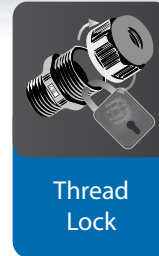
EPDM Seals



Water Proof



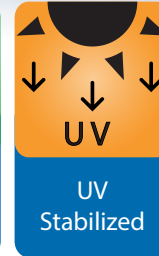
-40 ~ 100°C Temp Range



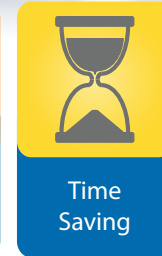
Thread Lock



Designed for PV



UV Stabilized



Time Saving

Standard Multi Hole Glands

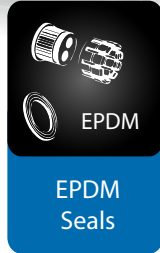
Designed to be inserted into an enclosure threaded entry or knock out (with optional lock nut), suitable for applications where the cables passing through the gland do NOT require mechanical protection, for applications requiring mechanical protection see "Conduit Head Glands" or "End of Conduit Glands".

		Cable Range	Part Number
M25	L	2x 5 ~ 7 mm	CSE-MG25-H2-07
	S	2x 3.5 ~ 5.5 mm	CSE-MG25-H2-5.5
M25	L	3x 5 ~ 7 mm	CSE-MG25-H3-07
	S	3x 3.5 ~ 5.5 mm	CSE-MG25-H3-5.5
M25	L	4x 5 ~ 7 mm	CSE-MG25-H4-07
	S	4x 3 ~ 5 mm	CSE-MG25-H4-05
M25	M	5x 4.5 ~ 6 mm	CSE-MG25-H5-06
	S	5x 3.5 ~ 5 mm	CSE-MG25-H5-05
M20	M	2x 4.5 ~ 6mm	CSE-MG20A-H2-06B-ST
M20	S	3x 3.5 ~ 5 mm	CSE-MG20A-H3-05B-ST
M32	L	6x 5 ~ 7 mm	CSE-MG32A-H6-07B

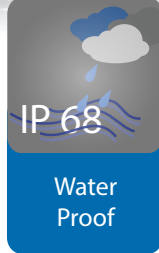
Cable Glands & Conduit Fittings



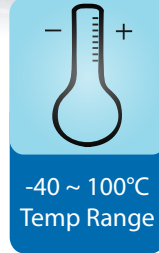
Fire Rated




EPDM Seals



Water Proof



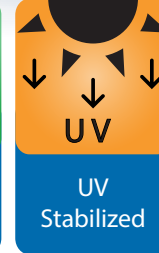
-40 ~ 100°C Temp Range



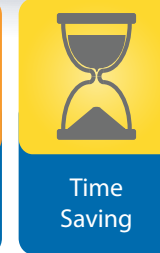
Thread Lock



Designed for PV



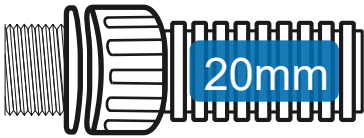
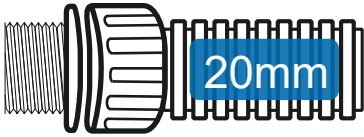
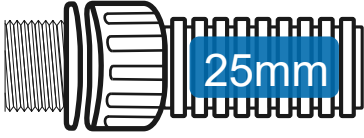
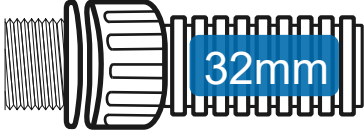
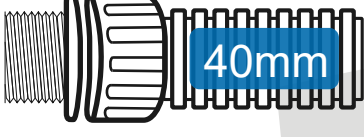
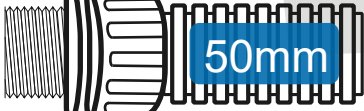
UV Stabilized



Time Saving







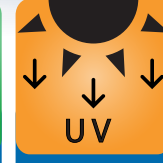
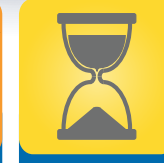
Glue-less Conduit Fittings

Glue-less conduit fittings for use with corrugated conduit provide up to IP68 seal, require no special tools, glues or solvents, can be installed, un installed and re-installed again with ease. Cobalt Solar Glue-less conduit fittings are simple to use and a must for all installers looking to improve system quality and install time. Give them a try you won't be disappointed

		Part Number
M20		M20 Thread - 20mm Conduit CSE-WTF-M20-21.2
M25		M25 Thread - 20mm Conduit CSE-WTF-M25-21.2
M25		M25 Thread - 25mm Conduit CSE-WTF-M25-25.0
M32		M32 Thread - 32mm Conduit CSE-WTF-M32-34.5
M40		M40 Thread - 40mm Conduit CSE-WTF-M40-42.5
M50		M50 Thread - 50mm Conduit CSE-WTF-M50-54.5












Cable Glands & Conduit Fittings

 Fire Rated	 EPDM Seals	 Water Proof	 -40 ~ 100°C Temp Range	 Thread Lock	 Designed for PV	 UV Stabilized	 Time Saving
---	---	--	---	---	--	--	--






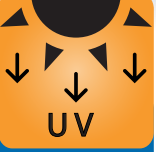

Plain Glands

Standard type cable glands in a range of sizes. Smaller sizes can be used on DC combiner boxes. M25S gland is quite suited to data cables as you can pass a CAT6 cable with plug though the gland and then seal around cable, also useful for pre-terminated fibre optics cable. Water jet cutting of the no hole gland means that there is few limits to the relative size, shape and number of holes.

		Cable Range	Part Number
M12		S 3 ~ 5.5 mm	CSE-NCG-M12A-5.5
		L 4.5 ~ 7.8 mm	CSE-NCG-M12A-8
M16		M 4 ~ 7 mm	CSE-NCG-M16A-7
M20		S 6 ~ 11 mm	CSE-NCG-M20A-11
M25		L 12 ~ 16 mm	CSE-NCG-M25A-16
		S 6 ~ 11 mm	CSE-NCG-M25S-10
M25		? ~ Water Jet or On site Cut	CSE-CSE-MG25A-H0-00B
M32		18 ~ 25 mm	CSE-NCG-32A-25
		M40 - M90 Next Page	Larger Sizes Next Page

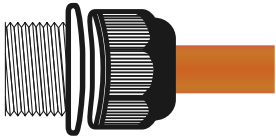
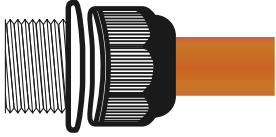



Cable Glands & Conduit Fittings









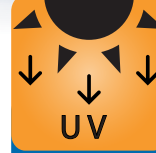

						
Fire Rated	EPDM Seals	Water Proof	-40 ~ 100°C Temp Range	Thread Lock	UV Stabilized	Time Saving

Plain Glands - Larger Sizes

In Stock Standard type cable glands in a range of large to very large. Suitable for large single core and multi core AC or DC circular cables. All sizes in stock in our Victorian warehouse. 32-90mm Glands come with locking nut and washer as standard. All glands come with EPDM Rubber washer.

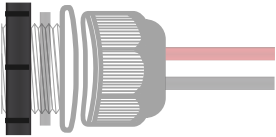
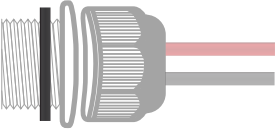
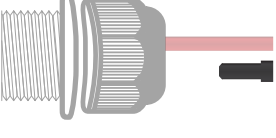
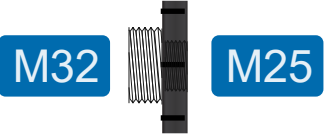
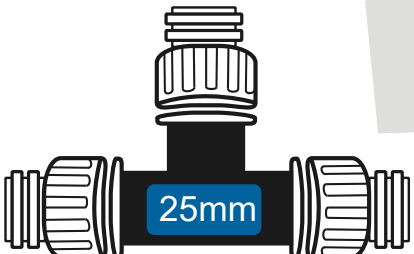
		Cable Range	Part Number
M40		L 24 ~ 31 mm	CSE-NCG-M40A-31
M50		L 31 ~ 41 mm	CSE-NCG-M50A-41
M63		S 39 ~ 46 mm	CSE-NCG-M63A-46
		M 44 ~ 51 mm	CSE-NCG-M63A-51
M75		S 50 ~ 60 mm	CSE-NCG-M75A-60
		L 56 ~ 66 mm	CSE-NCG-M75A-66
M90		L 66 ~ 77 mm	CSE-NCG-MG90A-77

Cable Glands & Conduit Fittings

 Fire Rated	 EPDM Seals	 Water Proof	 -40 ~ 100°C Temp Range	 Thread Lock	 Designed for PV	 UV Stabilized	 Time Saving
---	---	--	---	---	--	--	--

Gland Accessories

To reduce cost to you, environmental impact and waste, most Cobalt Solar glands and Conduit Fittings come **WITHOUT** locking nuts but with EPDM sealing washers. Lock nuts can be purchased separately. Blanking plugs suitable for sealing additional holes in multi hole glands are good to keep on hand. Anything not in our range of glands and conduit fittings can be requested please call 1300 273 111

	Cable Range	Part Number
	L Suit M25 Thread	CSE-LN-M25A
	S Suit M20 Thread	CSE-LN-M20A
	L Suit M25 Thread	CSE-WA-M25A
	S Suit M20 Thread	CSE-WA-M20A
	L Replace 1x 5 ~ 8 mm	CSE-SPM-070-B
	S Replace 1x 3.5 ~ 6 mm	CSE-SPM-050-B
	M32 Male - M25 Female Reducer	CSE-M32-M25
	25mm Glue-less Conduit T	CSE-WTF-T-25