

Catalogue No: **CPT-PSM4-40-400IR**

SPD PSM TYPE 2 3PH L-L-L-N-PE I_{max} 40kA 400V AC

Power Distribution and Protection > Switchboard Monitoring > Surge Protection > Cirprotec Electrical Network Surge Diverters > IEC Type 2 > PSM Surge Diverters

Surge Protection Device L+L+L+N-PE Type 2 40kA

PSM is the range of devices for discharging induced transient overvoltages (Type 2 / Class II), in accordance with IEC 61643-11

- DIN rail plug-in format
- Suitable for the second stage of protection in supply distribution panels in which Type 1 protection devices are installed, or for the first stage of protection in residential, commercial or other applications not exposed to direct strikes and with no external lightning protection system
- High discharge capacity with an 8/20 μ s waveform. I_{max}: 40 kA or 30 kA
- Remote and visual indication of life status of the protection device
- Reversible chassis to allow cable entry from above or below. Mechanically polarised cartridges depending on the network voltage, to avoid possible cartridge replacement errors
- Biconnect - two types of terminal: for rigid or flexible cable and for fork type comb busbar



Representative Photo Only
(actual product may vary based on configuration selections)

SPECIFICATIONS

Product Series	PSM
Component Type Surge Protection	Electrical Network Diverter
Number of Poles	4
Poles	3P + N
Number of DIN Modules	4
Un, Nominal Voltage, AC, L-L	400 V AC
Un, Nominal Voltage, AC, L-N/PE	230 V AC
Uc, Continuous Operating Voltage, AC, Max	275 V AC
In, Discharge Current, (8/20) L-N, Nom	20 kA
I _{max} , Discharge Current, (8/20) L-N, Max	40 kA
I _{cc} , Current, Short Circuit Withstand	5 kA
Recommended Fuse Current Rating	125 A
Fuse Characteristic Type(s)	gL/gG
Protection Classification Standard	IEC 61643-1 EN 61643-11
Up, Voltage Protection Level	1.4 kV @I _n
Rated Frequency	50 / 60 Hz
Connection Mode	Parallel
Protection Modes	L+L+L+N-PE modes
Protection class	2
Replaceable Modules	Yes Y/N
Visual Indication	Yes Y/N
Indicator Type	Red / Green Flag
Remote Monitoring	Yes Y/N
Monitoring Contact Configuration	1 CO Contact
Mounting	DIN-35 Rail Mount

Catalogue No: **CPT-PSM4-40-400IR**

SPD PSM TYPE 2 3PH L-L-L-N-PE I_{max} 40kA 400V AC

Power Distribution and Protection > Switchboard Monitoring > Surge Protection > Cirprotec Electrical Network Surge Diverters > IEC Type 2 > PSM Surge Diverters

Wire / Conductor Size, Flex Cable, Min	6 mm ² min
Wire / Conductor Size, Flex Cable, Max	25 mm ² max
Wire / Conductor Size, Rigid Cable, Min	6 mm ² min
Wire / Conductor Size, Rigid Cable, Max	35 mm ² max
Colour, Body / Housing	Light Grey (RAL 7035) colour
IP Rating	IP20
t _A , Response time (L-N)	25 ns
Tightening Torque, Nominal	4 Nm
Height	90 mm
Width	72 mm
Depth	70 mm
Weight	0.42 kg
Operating Temperature, Min	-40 °C min
Operating Temperature, Max	80 °C max
Certifications	CE RCM

REFERENCES

IECEX Certificate

-

Supplier Declaration of Conformity:

-

Installation Guide:

[CPTPSM440400IR_Installation Instructions](#)

User Manual:

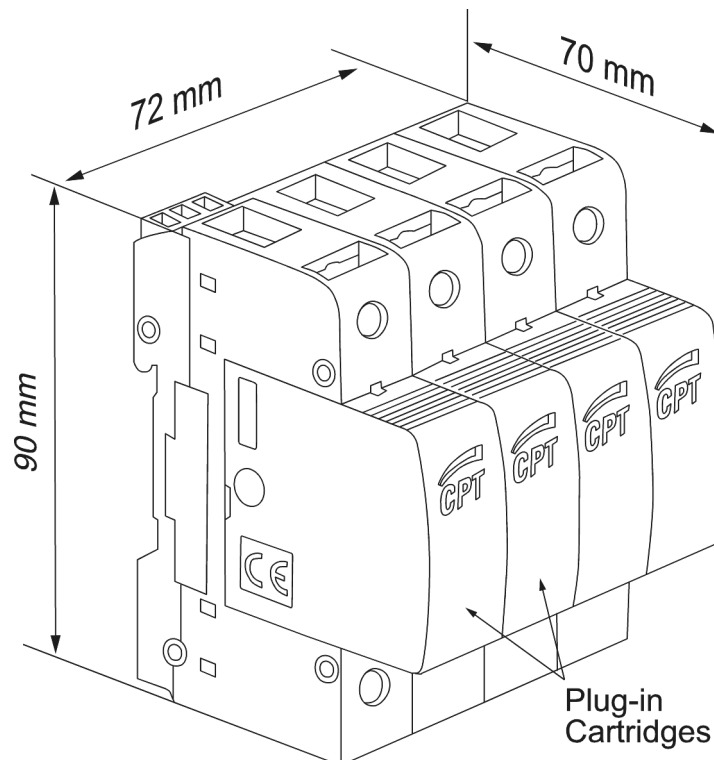
-

Manufacturer Datasheet:

[CPTPSM440400IR_Manufacturer Datasheet](#)

Manufacturer Catalogue & Product Selection:

[CPTPSM440400IR_Manufacturer Product Selection Guide](#)



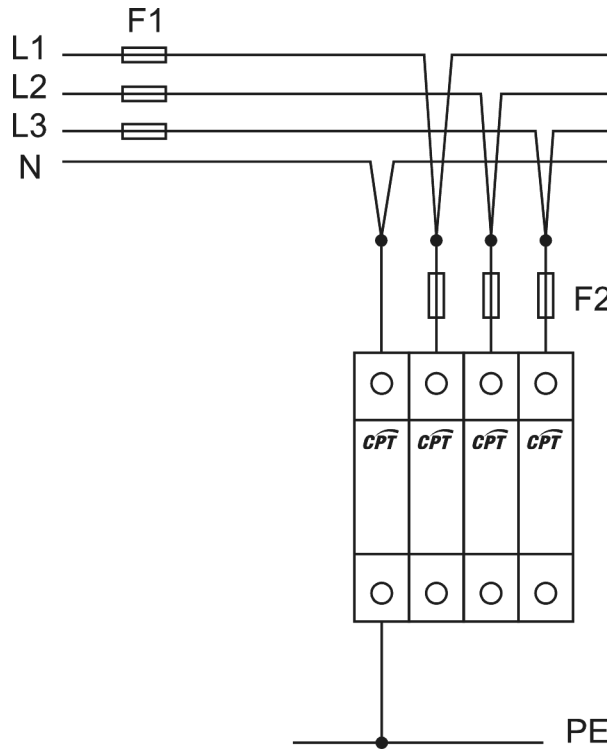
Catalogue No: **CPT-PSM4-40-400IR**

SPD PSM TYPE 2 3PH L-L-L-N-PE I_{max} 40kA 400V AC

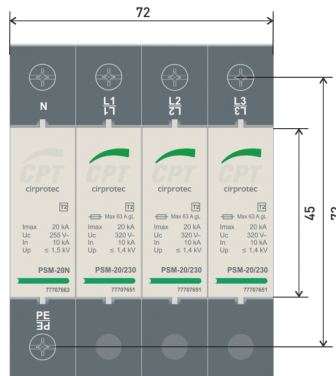
Power Distribution and Protection > Switchboard Monitoring > Surge Protection > Cirprotec Electrical Network Surge Diverters > IEC Type 2 > PSM Surge Diverters



Dimension Diagram



Connection / Wiring Diagram



Technical Diagram