



**Electrical
Products**

Products

Minto (/products/brand/minto) > 150 Amp Series

(/products/category/150-amp-series) > Back to Back Receptacle



(/product/print-pdf?id=4632)



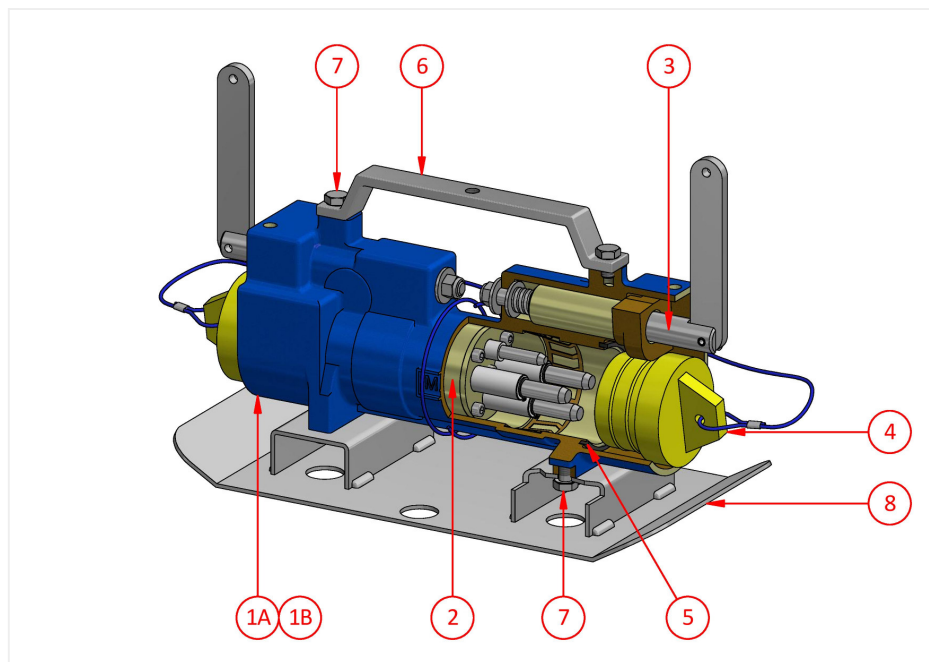
minto

Back to Back Receptacle

AH164B - AH114B

AH164BS - AH114BS

150 Amp Series
660V - 1100V



Weight	14kg (no skid) 17kg (with skid)
Dimensions	L 450mm W 230mm H 300mm
Compliance	Explosion protected to AS/NZS1299 & IEC60079 Series
Materials	Manganese Bronze / Brass / PTFE

IP Rating IP66/68

Ordering Procedure **1** Select complete Back to Back from Table 1

Table 1

Part Number	Description	Colour
AH164B	660V Back to Back Receptacle	Orange
AH114B	1100V Back to Back Receptacle	Blue
AH164BS	660V Back to Back Receptacle c/w skid	Orange
AH114BS	1100V Back to Back Receptacle c/w skid	Blue



Spare Parts

#	Part Number	Description
1A	F-4117-164	660V Back to Back Body c/w items 1A, 3, 5, 6 & 7
1B	F-4117-114	1100V Back to Back Body c/w items 1B, 3, 5, 6 & 7
2	F-348-1	Interior c/w screws AH115135 M6 x 35 skt. head
3	F-329	Jacking Screw
4	F-310	Sealing Plug
5	4401-2	Seal
6	4035	Lifting Handle
7	AH113111	Screw M10 x 16 hex. head
8	4043S	Skid Plate

DISCOVER
OUR
BRANDS



XLPE

(/products/brand/xlpe)



MINTO

(/products/brand/minto)



AFLEX

(/products/brand/aflex)



HARTLAND

(/products/brand/hartland)