



Products

[Minto \(/products/brand/minto\)](/products/brand/minto) > [300/425 Amp Series C \(/products/category/300425-amp-series-c\)](/products/category/300425-amp-series-c) >

Accessories

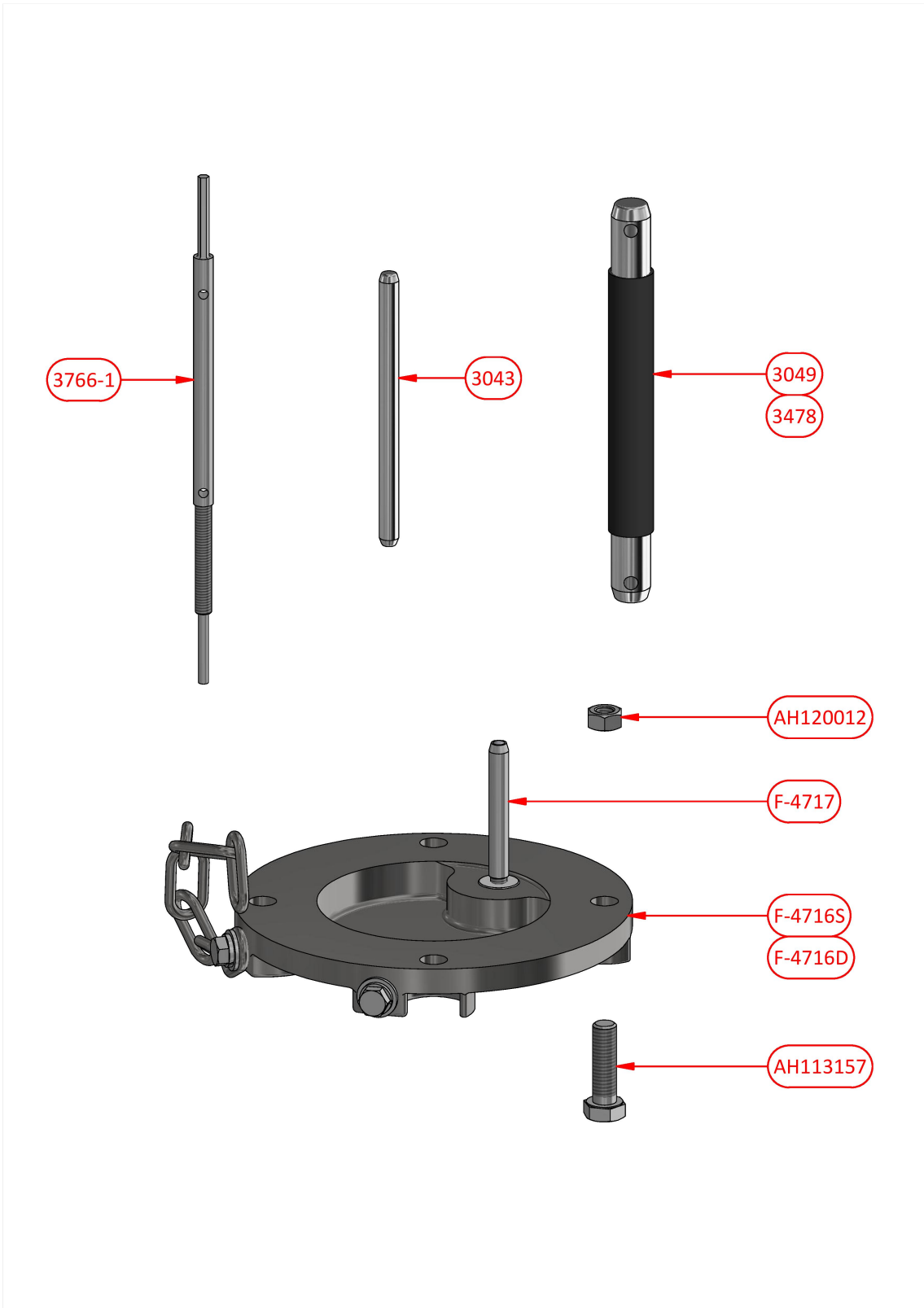


[\(/product/print-pdf?id=4904\)](/product/print-pdf?id=4904)



Accessories

300/425 Amp Series C
Body Size C - 6600V



Compliance

Explosion protected to AS/NZS1300 & IEC60079 Series

Materials

Stainless Steel / Silver Plated Copper

Ordering Procedure

1

Select complete Accessory from Table 1

Table 1

Part Number	Description
F-4716S	300/425A Blanking Cover

Part Number	Description
F-4716D	300/425A Blanking Cover with Pilot Diode
3049	300A Phase Connecting Pin
3478	425A Phase Connecting Pin
3043	300/425A Pilot Connecting Pin
F-4717	Pilot Diode Pin
3766-1	Socket Extraction Tool
AH113157	Screw M12 x 40 hex. head
AH120012	Nut M12

DISCOVER
OUR
BRANDS



XLPE

(/products/brand/xlpe)



MINTO

(/products/brand/minto)



AFLEX

(/products/brand/aflex)



HARTLAND

(/products/brand/hartland)