



## Products

[Minto \(/products/brand/minto\)](#) > [125 Amp Series \(/products/category/125-amp-series\)](#) > [Back to Back](#)

[Receptacle](#)

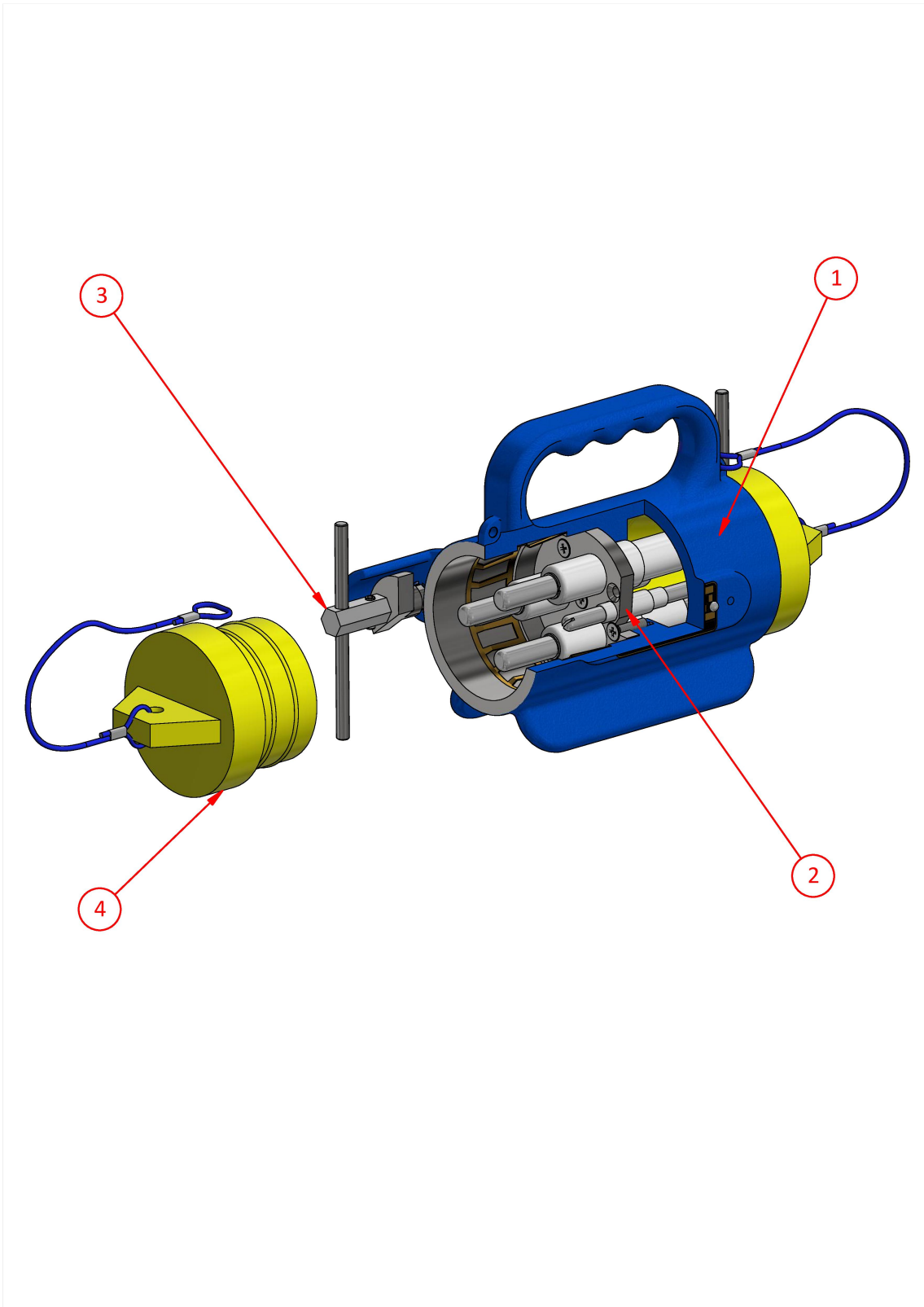


[\(/product/print-pdf?id=5802\)](/product/print-pdf?id=5802)



**Back to Back Receptacle  
AH214S**

125 Amp Series  
1100V



<b>Weight</b>	7kg
<b>Dimensions</b>	L 170mm W 210mm H 310mm
<b>Compliance</b>	Explosion protected to AS/NZS1299 & IEC60079 Series
<b>Materials</b>	Stainless Steel / PTFE
<b>IP Rating</b>	IP66

Ordering Procedure                      1                      Select complete Back to Back from Table 1

**Table 1**

Part Number	Description	Colour
AH214S	1100V Restrained Back to Back Receptacle	Blue



### Spare Parts

#	Part Number	Description
1	F-4691S-214	1100V Back to Back Body c/w items 1 & 3
2	F-852	Interior c/w screws AH112500 M5 x 20 csk. head
3	F-851	Jacking Screw
4	F-310	Sealing Plug

DISCOVER  
OUR  
BRANDS



XLPE  
(/products/brand/xlpe)



MINTO  
(/products/brand/minto)



AFLEX  
(/products/brand/aflex)



HARTLAND  
(/products/brand/hartland)