

Surface Finish Available Finish Code

Pre-Galvanised G
Hot Dip Galvanised H

Note

- Hot Dip Galvanised products are manufactured against firm orders only.
- Minimum production quantities may apply.
- Powder coating and special finishes on request against firm orders only and are non returnable.



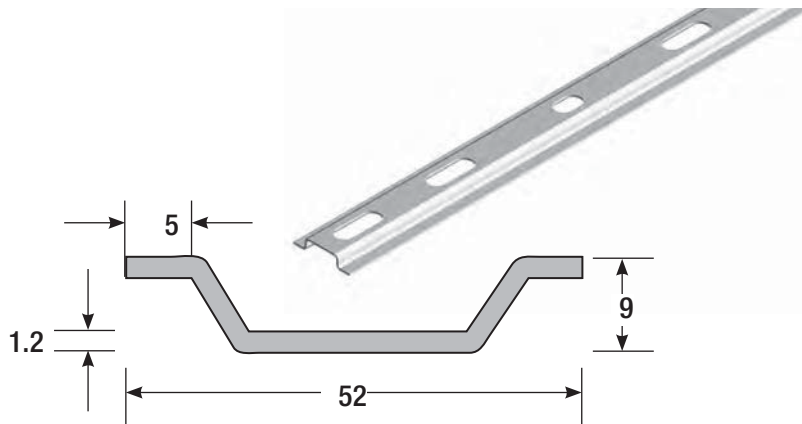
Standard Finish Galvabond. Can also be supplied in Hot Dip Galvanised finish against firm orders.

Length 3.0 metres.

Note Order B3016 and PS620 separately for installation.

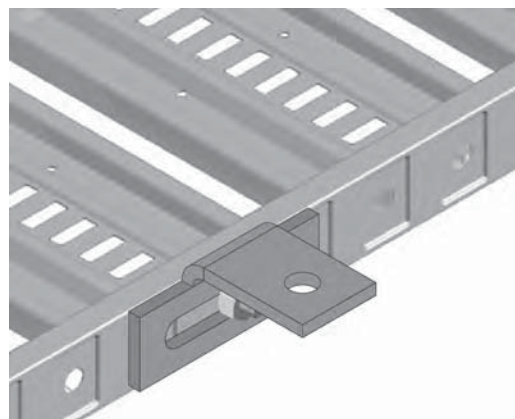
DSL5 (Divider Strip to suit LT5 Laddertray)

Ordering Code	Length mm
LTTS150	250
LTTS300	400
LTTS450	550
LTTS600	700



LTTS (Trapeze Supports to Suit LT3 and LT5)

Available Finish Code
Pre-Galvanised G
Hot Dip Galvanised H



Note Used in pairs. Order fasteners separately (per bracket)
- 1 x LTNUT & 1 x LTBOLT

LTSH Laddertray Hanging System

CHANNELS 1
NUTS & BOLTS 2
CANTILEVER BRACKETS 3
CHANNEL FITTINGS 4
LADDERTRAYS 5
CABLE MESH 6
STEEL LADDERS 7
ALUMINIUM LADDERS 8
FIRE RATED 9
COVERS 10
HYGROUND 11