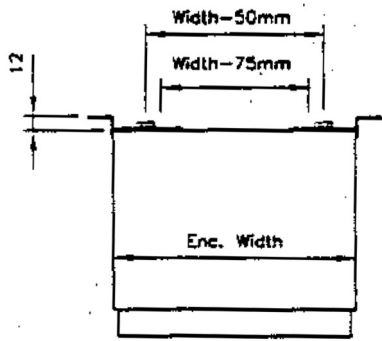
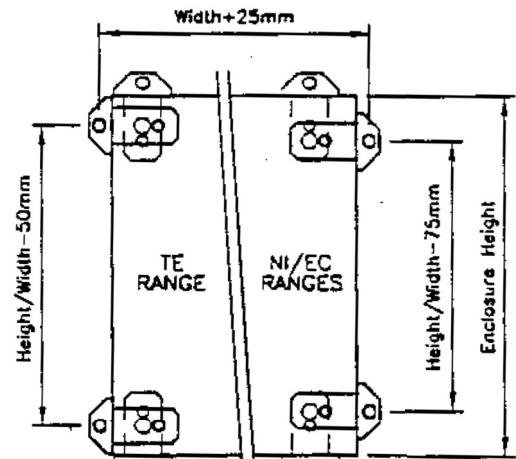


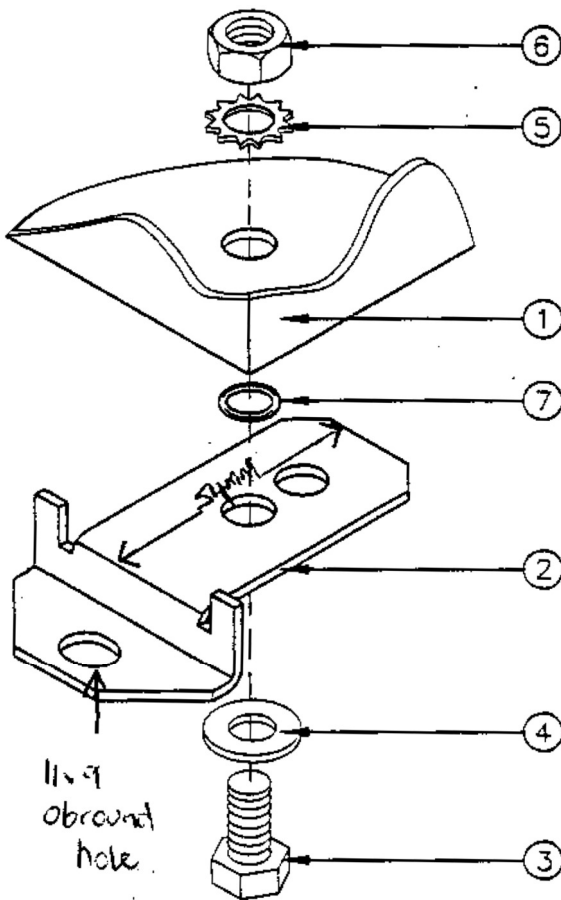
# MEB/S WALL MOUNTING BRACKET (SUITS ALL INDUSTRIAL ENCLOSURES)



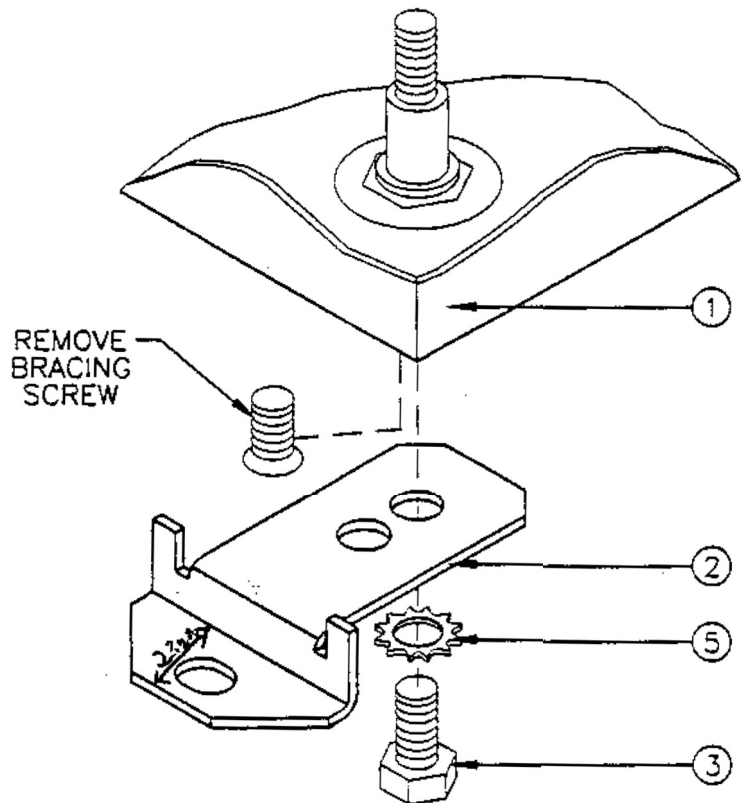
Top View



Rear View



IP, TE & Data ranges.



NI & EC ranges.

Description	Qty
① Enclosure Body	-
② Bracket	4
③ M8 x 16 St/Stl Hex Hd Set Screw	4
④ M8 St/Stl Flat Washer	4
⑤ M8 External Star Washer	4
⑥ M8 St/Stl Hex Nut	4
⑦ O-Ring	4

**Instructions**

- \* Locate bracket in desired position and drill  $\varnothing 9$  holes through body (TE range has dimples in appropriate locations).
- \* NOTE: - NI & EC ranges have four M8 threaded inserts and don't require drilling. - remove bracing screws from rear of threaded inserts and replace with bracket fixing bolts.
- \* Fit bracket to body as shown.