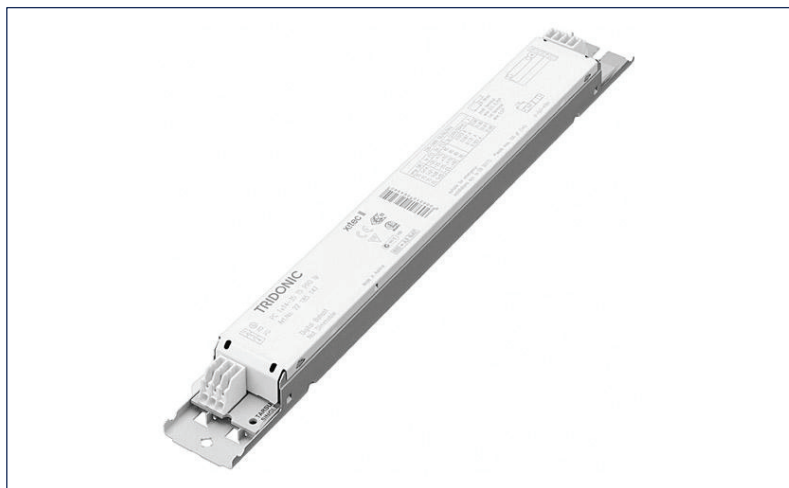


PC T8 PRO Ip, PC T8 PRO sl, 18 – 58 W

PC PRO T8

With PC PRO you get the maximum from a fluorescent lamp. x II processor technology ensures an intelligent balance of tolerances for extremely precise lamp operation. As a result of this careful treatment, the lamps feature a long service life, even after more than 50,000 starts. In this regard it is no problem if ambient temperatures fluctuate between -25 °C and up to 80 °C according to the specific version. With overvoltage caused by erroneous wiring, the supplementary Intelligent Voltage Guard protective function outputs a warning.

**Product description**

- _ Highest possible energy class CELMA EEI = A2 BAT
- _ Nominal life-time up to 100,000 h (at ta 50 °C with a failure rate ≤ 0.1 % per 1,000 h)
- _ Large temperature range (for values see table)
- _ Intelligent Voltage Guard (overvoltage indication and undervoltage shutdown)
- _ Precise lamp operation using adjustment of lamp parameters
- _ Advanced SMART-Heating for min. 50,000 starts without replacement of lamps
- _ Constant luminous flux irrespective of fluctuations in mains voltage
- _ Designed for THD < 10 %
- _ For luminaires of protection class I and protection class II
- _ Automatic start after replacement of defective lamps
- _ Safety shutdown of defective lamps and at end of lamp life (EOL 2)
- _ Insulation Displacement Connection (IDC) terminal for rapid automatic or manual wiring
- _ For emergency lighting systems as per EN 50172

Website

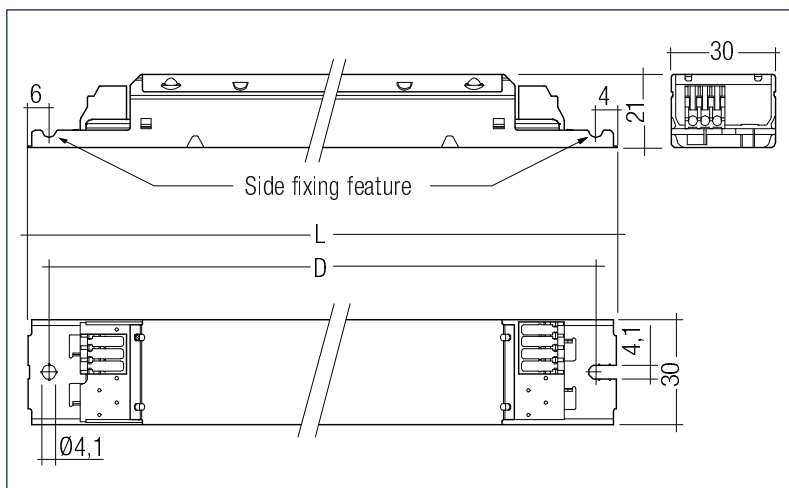
<http://www.tridonic.com/22185213>



PC T8 PRO Ip, PC T8 PRO sl, 18 – 58 W

PC PRO T8

The complete data sheet for this product is available in the Downloads section.



Ordering data

Type	Article number	Figure	Packaging, carton	Packaging, low volume	Packaging, high volume	Weight per pc.
For luminaires with 1 lamp						
PC 1x18 T8 PRO Ip	22185213	1	50 pc(s).	1,050 pc(s).	3,150 pc(s).	0.146 kg

Technical data

Mains voltage range	220 – 240 V
AC voltage range	198 – 264 V
DC voltage range	176 – 280 V (lamp start \geq 198 V DC)
Mains frequency	0 / 50 / 60 Hz
Overvoltage protection	320 V AC, 1 h
Defined warm start	\leq 1.5 s
Operating frequency	\geq 39.5 kHz
Type of protection	IP20

Approval marks



Standards

EN 55015, EN 61347-2-4, EN 61347-2-3, EN 60929, EN 61000-3-2, EN 61547, Acc. to EN 50172, IEC 68-2-64 Fh, IEC 68-2-29 Eb, IEC 68-2-30

Specific technical data

Lamp wattage	Lamp type	Type	Article number	Dimensions L x W x H	Hole spacing D	Lamp power	Circuit power	EEI	Current at 50 Hz		λ at 50 Hz		tc point max.	Ambient temperature ta	tc/ta for \geq 50, 000 h
									220 V	240 V	220 V	240 V			
1 x 18 W	T8	PC 1x18 T8 PRO Ip	22185213	230 x 30 x 21 mm	220 mm	16.0 W	18.3 W	A2 BAT	0.081 A	0.073 A	0.98	0.96	80 °C	-25 ... +70 °C	75/65 °C